

# 24020



Pitch **0.5mm** Wire to Board Connectors - SMT Type



## PERFORMANCE

Electrical Rating: AC/DC 30V 1A

額定電壓電流

Insulation Resistance: 100MΩ min.

絕緣阻抗

Withstanding Voltage: 500V AC/minute

耐電壓

Temperature Range: -40°C ~ +80°C

適用溫度



## CONNECTOR

Part No.: **MSAKS24020P51**

產品編號

Material: Housing: LCP 94V-0, Black

材質 塑膠座

Contact Pin: PB, Tin-plated

接觸針 磷青銅, 鍍錫

Contact area, gold-plated

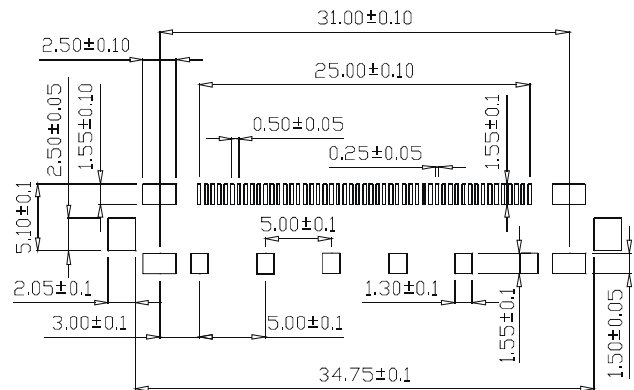
接觸部位 鍍金

Square Contact Pin: 0.18 ± 0.05mm

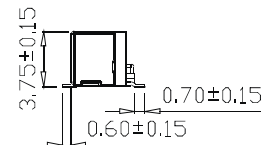
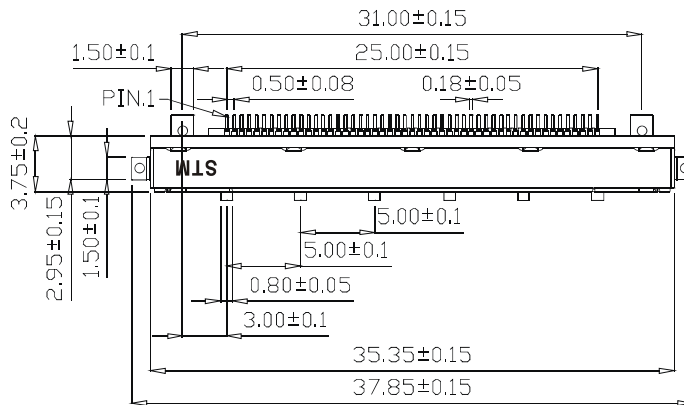
方型針

Packing: 1,500pcs (Reel)

包裝數量



P.C.B LAYOUT



### Notes

Item	Description
Suitable Contact 配合端子	24020PS-00U 24020PS-00D or 24020PS-00D RF:A
Suitable Housing 配合塑膠	PKS24020P51
Suitable Wire 適用電線	AWG# 28~30 (0.55~0.75mm)

Behave in conformity with continual product development policy, Sin Sheng (STM) reserves the right of specification changing of contents described in this catalogue at any time and without prior notice. Please contact the sales department nearby for most updated information.  
由於產品持續開發的政策, 信盛(STM)保留隨時變更本目錄所述之規格且不需提前通知的權利, 請逕繫業務處查詢最新的產品資訊。

0.5mm

### CONNECTOR

Part No.: **MSAKS24020P41**

產品編號

Material: Housing: LCP 94V-0, Black

材質 塑膠座

Contact Pin: PB, Tin-plated

接觸針 磷青銅, 鍍錫

Contact area, gold-plated

接觸部位 鍍金

Square Contact Pin: 0.18±0.05mm

方型針

Packing: 1,500pcs (Reel)

包裝數量

### PERFORMANCE

Electrical Rating: AC/DC 30V 1A

額定電壓電流

Insulation Resistance: 100MΩ min.

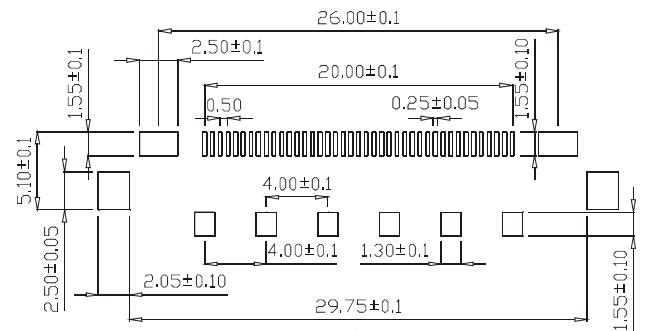
絕緣阻抗

Withstanding Voltage: 500V AC/minute

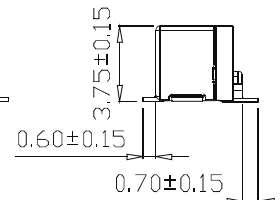
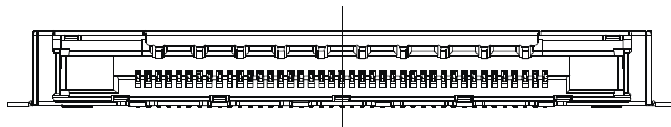
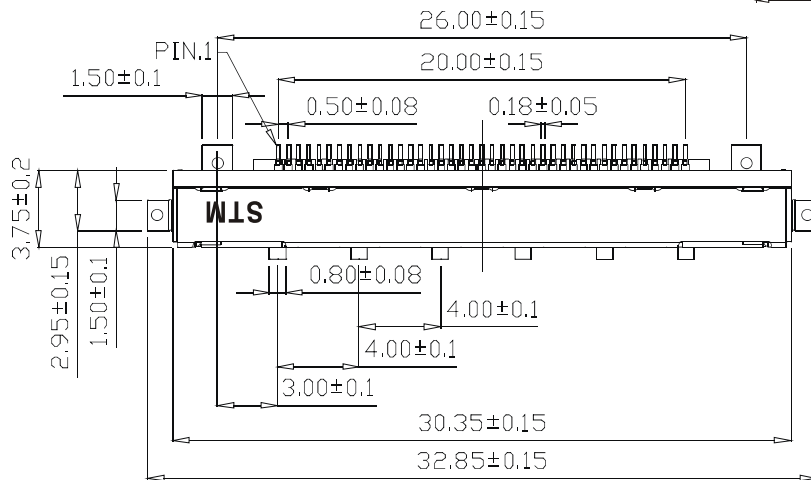
耐電壓

Temperature Range: -40°C~+80°C

適用溫度



P.C.B. LAYOUT



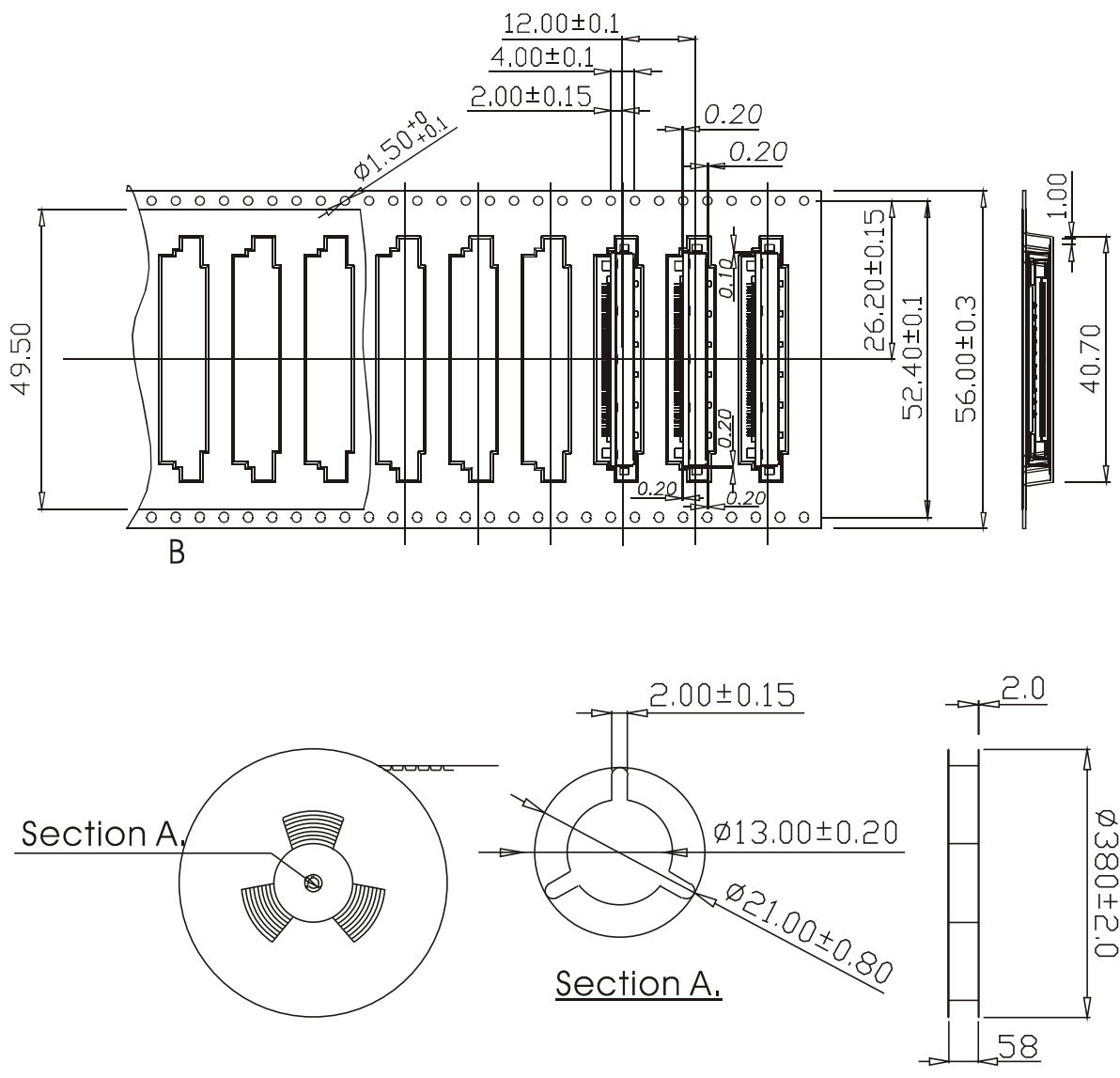
#### Notes

Item	Description
Suitable Contact 配合端子	24020PS-00U 24020PS-00D or 24020PS-00D RF:A
Suitable Housing 配合塑膠	PKS24020P51
Suitable Wire 適用電線	AWG# 28~30 (0.55~0.75mm)

### Embossed Carrier Tape Dimensional Drawing

MSAKS24020P51

0.5mm



# 24020 Wire to Board Connectors

0.5mm

## HOUSING

Part No.: **PKS24020P41 PKS24020P51**  
 產品編號

**PKS24020P41 PKS24020P51 RF:B**

Material: Housing: LCP 94V-0, Black  
 材質 塑膠座

Shell: Stainless Steel  
 鐵殼 不銹鋼

Lock: Stainless Steel  
 卡勾 不銹鋼

Suitable Contact: 24020PS-00U+24020PS-00D  
 配合端子

24020PS-00U+24020PS-00D RF:A

Suitable Connector: MSAKS24020P41 MSAKS24020P51  
 配合公座

Applicable Wire: AWG# 28~30  
 適用電線

Packing: 41P=60pcs/tray 51P=50pcs/tray  
 包裝數量

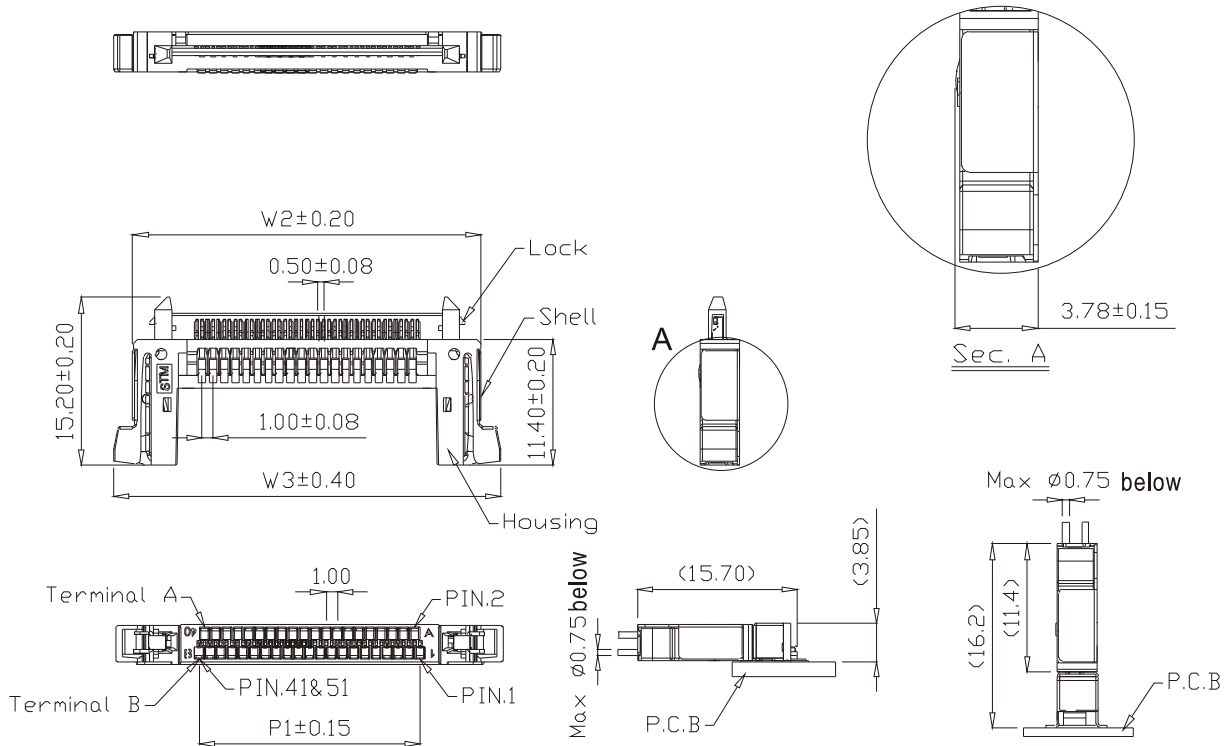
## PERFORMANCE

Electrical Rating: AC/DC 30V 1A  
 額定電壓電流

Insulation Resistance: 100MΩ min.  
 絕緣阻抗

Withstanding Voltage: 500V AC/minute  
 耐電壓

Temperature Range: -40°C~+80°C  
 適用溫度



Recommend assembling condition

Unit: mm						Shell: Tin-plated						Unit: mm					
Part No.	RF	POS	P1	W2	W3	Part No.	RF	POS	P1	W2	W3	Part No.	RF	POS	P1	W2	W3
PKS24020P41	·	41	20	31.5	35	PKS24020P41	B	41	20	31.5	35	PKS24020P41	B	41	20	31.5	35
PKS24020P51	·	51	25	36.5	40	PKS24020P51	B	51	25	36.5	40	PKS24020P51	B	51	25	36.5	40

### TERMINAL

Part No.: **24020PS-00U 24020PS-00D**  
 產品編號  
**24020PS-00D RF:A**

Thickness: 0.15mm  
 銅板厚度

Material: Phosphor Bronze  
 材質 磷青銅

Surface Treatment: Gold flashed  
 表面處理 鍍金

Packing: 24020PS-00U 22,000PCS(Reel)  
 包裝數量  
 24020PS-00D 20,000PCS(Reel)  
 24020PS-00D RF:A 20,000PCS(Reel)

### PERFORMANCE

Electrical Rating: AC/DC 30V 1A  
 額定電壓電流

Insulation Resistance: 100MΩ min.  
 絕緣阻抗

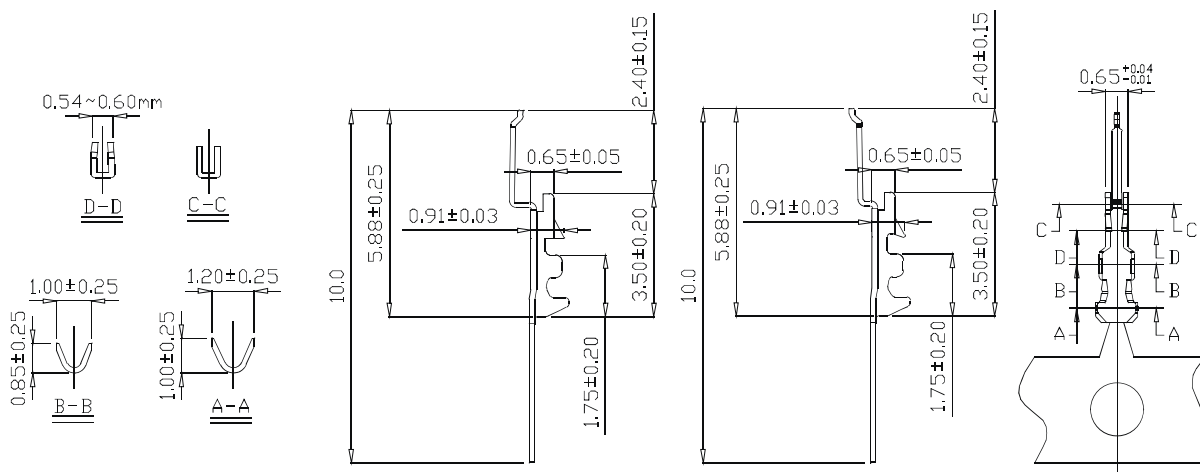
Withstanding Voltage: 500V AC/minute  
 耐電壓

Temperature Range: -40°C~+80°C  
 適用溫度



P/No. 24020PS-00U  
 Upward type  
 (向上形)

P/No. 24020PS-4D 24020PS-00D  
 24020PS-4D RF:A 24020PS-00D RF:A  
 Downward type  
 (向下形)



Note: Each set includes two types of terminal, upward and downward types.  
 注意: 每組組裝須包含兩款端子, 向上形和向下形。

TOLERANCE	
.0	±0.25
.00	±0.15
.000	±0.05

Part No.	Ref.	Description	Packing
24020PS-00U	.	Gold-flashed	22,000
24020PS-4D	.	Half each gold&tin plated	20,000
24020PS-00D	.	Gold-dip plated	20,000
24020PS-4D	A	Half each gold&nickel plated	20,000
24020PS-00D	A	Gold-flashed	20,000

#### Notes

Item	Description
Suitable Housing 配合塑膠	PKS24020P51
Suitable Connector 配合公座	MSAKS24020P51
Suitable Wire 適用電線	AWG# 28-30 (0.55~0.75mm)