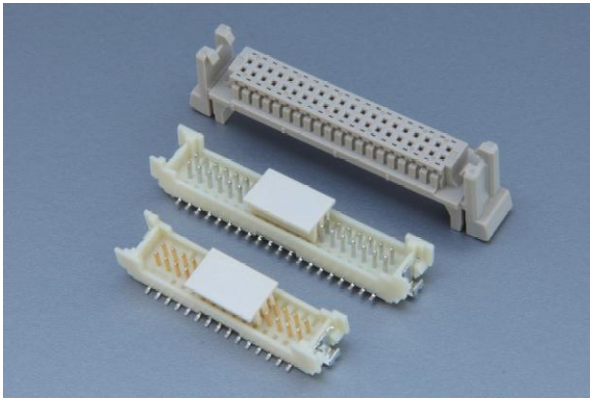


24031



Pitch 1.25mm Wire to Board (Lock) Connectors - SMT Type



PERFORMANCE

Electrical Rating: AC/DC 30V 1A
 額定電壓電流
 Insulation Resistance: 100MΩ min.
 絕緣阻抗
 Withstanding Voltage: 500V AC/minute
 耐電壓
 Temperature Range: -40°C~+85°C
 適用溫度



1.25mm

CONNECTOR - Top Entry

Part No.: MDSK2403P10~MDSK2403P25 RF: HC RF: HD RF: HE

產品編號

Material: Housing: Nylon 94V-0

材質 塑膠座

Contact Pin: Brass, Tin-plated

接觸針 黃銅, 鍍錫

Reinforcement: PB

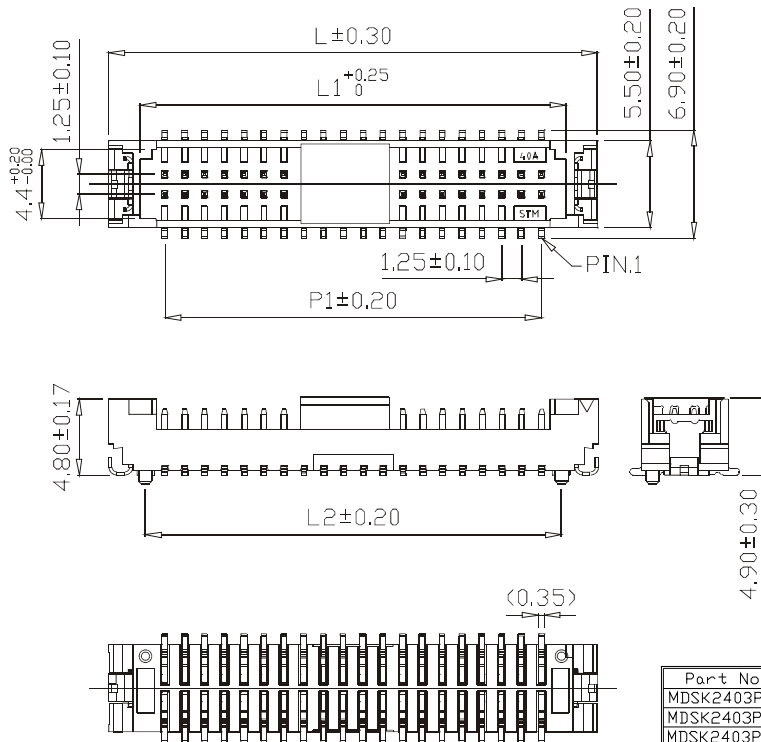
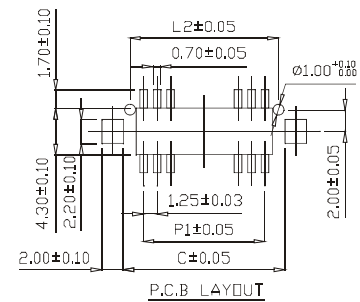
補強片 磷青銅

Suitable Contact: 2403PS-2 RF:B 24031PS-2

配合端子

Suitable Housing: PDK2403P15~PDK2403P25 PDK24031P10~PDK24031P25

配合塑膠



Unit: mm

Part No.	Ref.	L	L1	L2	P1	C	Description.
MDSK2403P10	HC	18.35	14.45	13.75	11.25	14.95	Tin-plated 鍍錫
MDSK2403P15		24.60	20.70	20.00	17.50	21.20	
MDSK2403P20		30.85	26.95	26.25	23.75	27.45	
MDSK2403P25		37.10	33.20	32.50	30.00	33.70	
MDSK2403P10	HD	18.35	14.45	13.75	11.25	14.95	Matte Tin plated 鍍霧錫
MDSK2403P15		24.60	20.70	20.00	17.50	21.20	
MDSK2403P20		30.85	26.95	26.25	23.75	27.45	
MDSK2403P25		37.10	33.20	32.50	30.00	33.70	
MDSK2403P10	HE	18.35	14.45	13.75	11.25	14.95	Half each gold&tin plated 半金鍍
MDSK2403P15		24.60	20.70	20.00	17.50	21.20	
MDSK2403P20		30.85	26.95	26.25	23.75	27.45	
MDSK2403P25		37.10	33.20	32.50	30.00	33.70	

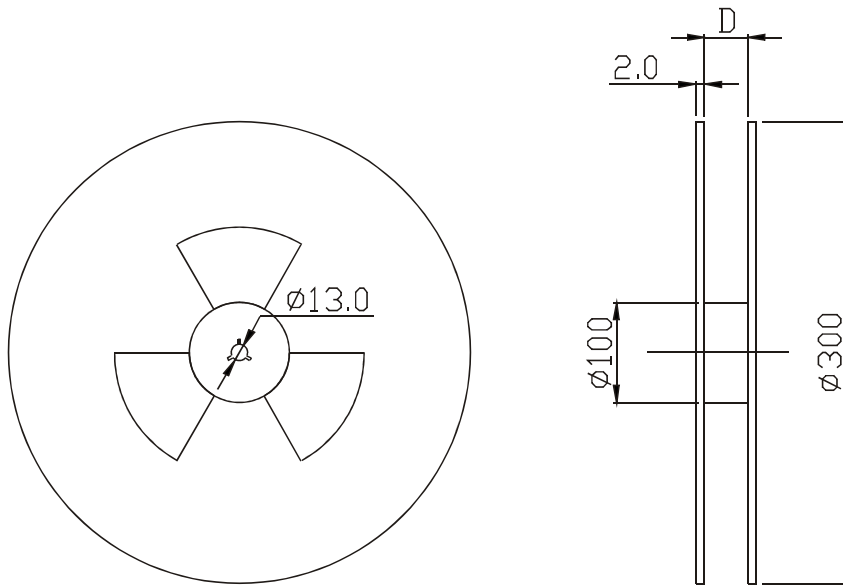
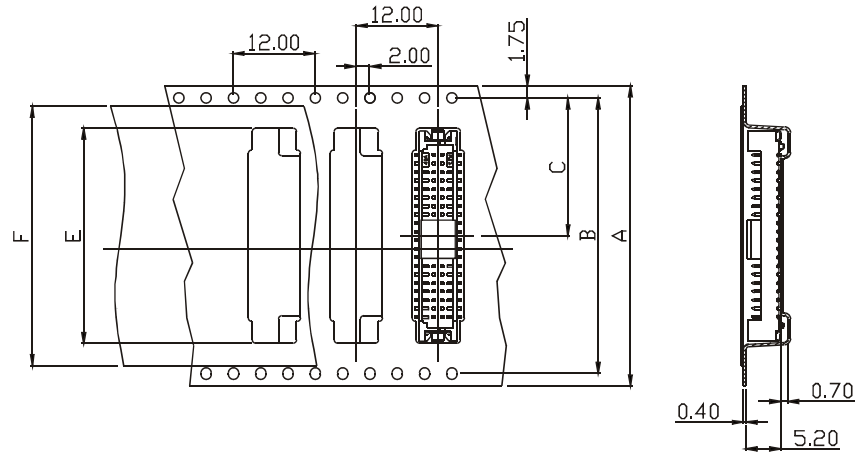
Behave in conformity with continual product development policy, Sin Sheng (STM) reserves the right of specification changing of contents described in this catalogue at any time and without prior notice. Please contact the sales department nearby for most updated information.
 由於產品持續開發的政策, 信盛(STM)保留隨時變更本目錄所述之規格且不需提前通知的權利, 請聯繫業務處查詢最新的產品資訊。

24031 Wire to Board (Lock) Connectors - SMT Type

Embossed Carrier Tape Dimensional Drawing

MDSK2403 Series

1.25mm



Unit: mm

POS.	A	B	C	D	E	F
2X15	44	40.40	20.20	44.40	24.70	37.00
2X20	44	40.40	20.20	44.40	30.95	37.00

24031

Wire to Board (Lock) Connectors - SMT Type



HOUSING - Lock Type

Part No.: PDK2403P15~PDK2403P25

產品編號

Material: Nylon 94V-0

材質

Suitable Contact: 2403PS-2 RF:B

配合端子

Suitable Connector: MDSK2403P15~MDSK2403P25

配合公座

PERFORMANCE

Electrical Rating: AC/DC 150V 1A

額定電壓電流

Insulation Resistance: 500MΩ min.

絕緣阻抗

Withstanding Voltage: 500V AC/minute

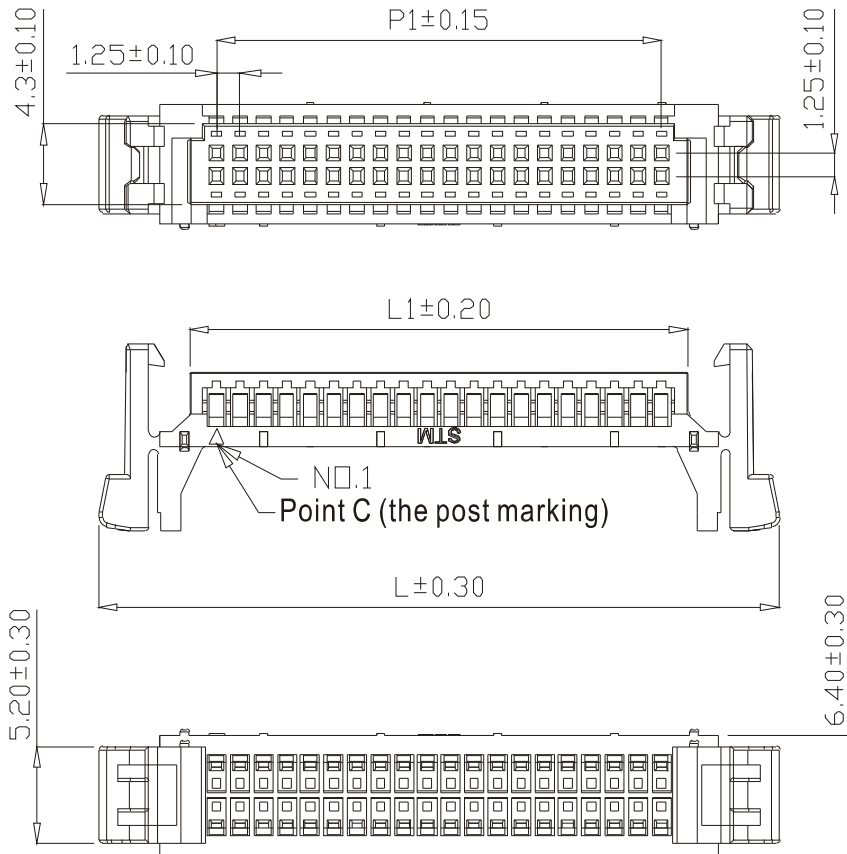
耐電壓

Temperature Range: -25°C~+85°C

適用溫度



1.25mm



Unit:mm

Part No.	POS.	L	L1	P1	Pack.
PDK2403P15	2X15	30.10	20.45	17.50	1000
PDK2403P20	2X20	36.35	26.70	23.75	1000
PDK2403P25	2X25	42.60	32.95	30.00	1000

24031

Wire to Board (Lock) Connectors - SMT Type



HOUSING - Lock Type

Part No.: PDK2403P15~PDK2403P25 RF:B

產品編號

Material: Nylon 94V-0

材質

Suitable Contact: 2403PS-2 RF:B

配合端子

Suitable Connector: MDSK2403P15~MDSK2403P25

配合公座

PERFORMANCE

Electrical Rating: AC/DC 150V 1A

額定電壓電流

Insulation Resistance: 500MΩ min.

絕緣阻抗

Withstanding Voltage: 500V AC/minute

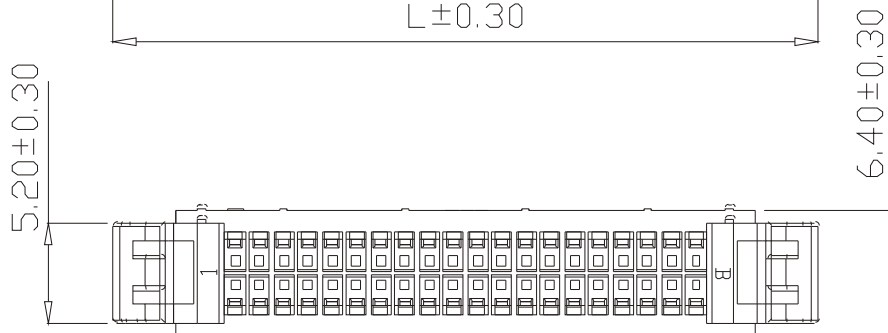
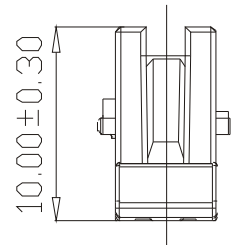
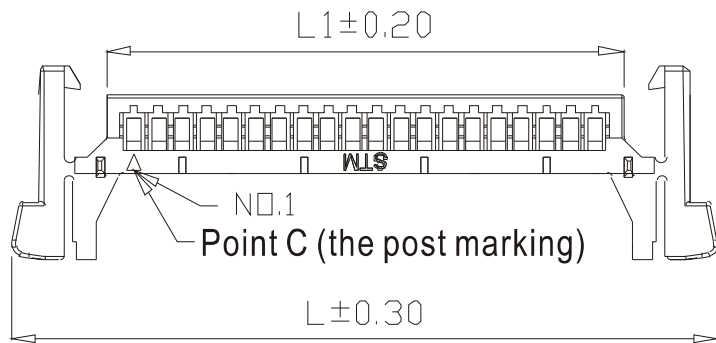
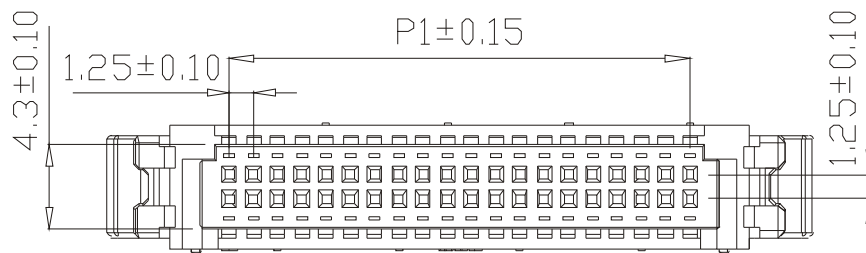
耐電壓

Temperature Range: -25°C~+85°C

適用溫度



1.25mm



Unit:mm

Part No.	RF	POS.	L	L1	P1	Pack.
PDK2403P15	B	2X15	30.10	20.45	17.50	1000
PDK2403P20	B	2X20	36.35	26.70	23.75	1000
PDK2403P25	B	2X25	42.60	32.95	30.00	1000

24031

Wire to Board (Lock) Connectors - SMT Type



HOUSING - Lock Type

Part No.: PDK24031P10~PDK24031P25

產品編號

Material: Nylon 94V-0

材質

Suitable Contact: 24031PS-2 24031PS-2 RF:A

配合端子

Suitable Connector: MDSK2403P10~MDSK24031P25

配合公座

PERFORMANCE

Electrical Rating: AC/DC 30V 1A

額定電壓電流

Insulation Resistance: 100MΩ min.

絕緣阻抗

Withstanding Voltage: 500V AC/minute

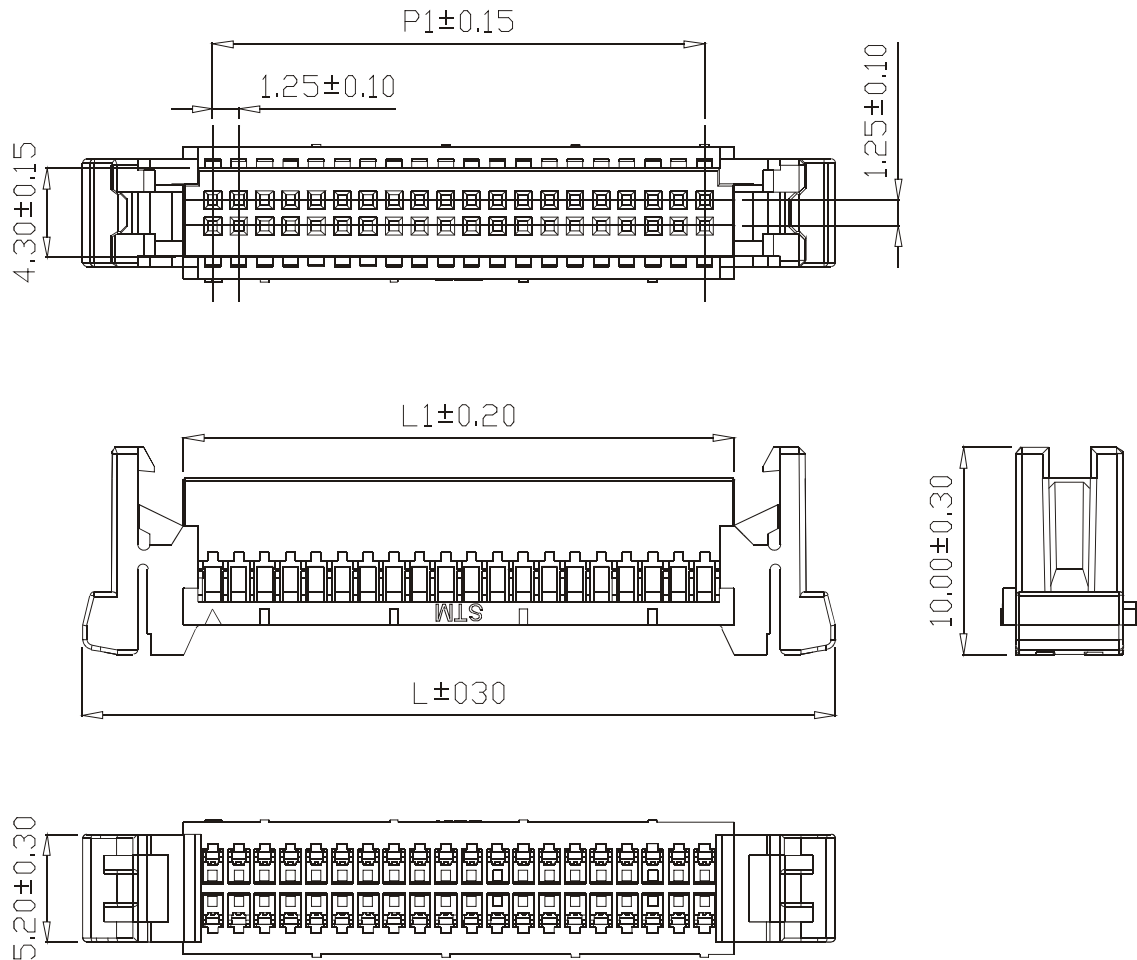
耐電壓

Temperature Range: -40°C ~ +85°C

適用溫度



1.25mm



Unit:mm

Part No.	POS.	L	L1	P1	Pack.
PDK24031P10	2X10	23.85	14.20	11.25	80
PDK24031P15	2X15	30.10	20.45	17.50	66
PDK24031P20	2X20	36.35	26.70	23.75	60
PDK24031P25	2X25	42.60	32.95	30.00	60

24031 Wire to Board (Lock) Connectors - SMT Type

TERMINAL

Part No.: 2403PS-2 RF:B

產品編號

Thickness: 0.15mm

銅板厚度

Material: Phosphor Bronze

材質 磷青銅

Surface Treatment: Tin-plated

表面處理 鍍錫

Applicable Wire: AWG# 26~30

適用電線

Insulation O.D.: 0.65~1.00mm

線皮外徑

Suitable Housing: PDK2403P15~PDK2403P25

配合塑膠

Suitable Connector: MDSK2403P10~MDSK2403P25

配合公座

Packing: 15,000PCS(Reel)

包裝數量

PERFORMANCE

Electrical Rating: AC/DC 150V 1A

額定電壓電流

Insulation Resistance: 500MΩ min.

絕緣阻抗

Withstanding Voltage: 500V AC/minute

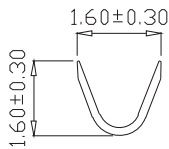
耐電壓

Temperature Range: -25°C~+85°C

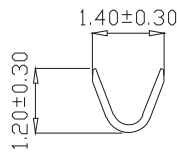
適用溫度



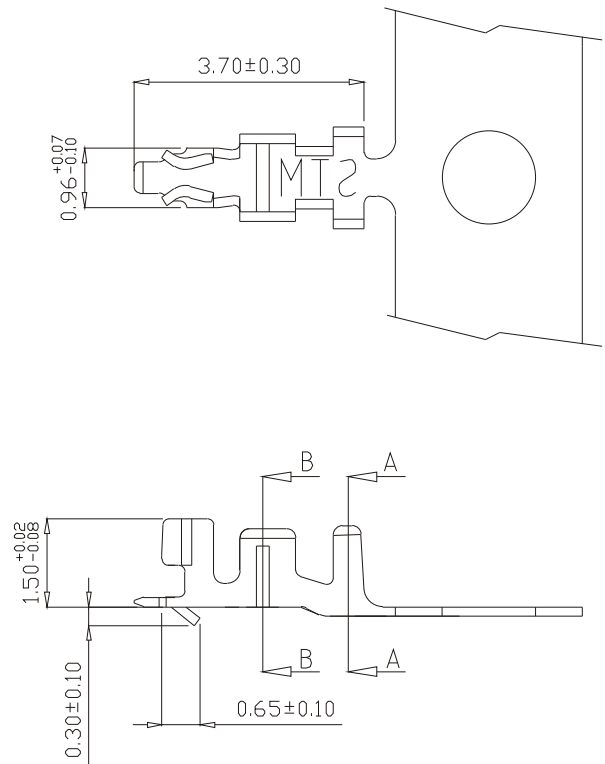
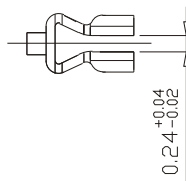
1.25mm



A-A



B-B



24031 Wire to Board (Lock) Connectors - SMT Type

TERMINAL

Part No.: 24031PS-2

產品編號

Thickness: 0.15mm

銅板厚度

Material: Phosphor Bronze

材質 磷青銅

Surface Treatment: Tin-plated

表面處理 鍍錫

Applicable Wire: AWG# 28~30

適用電線

Insulation O.D.: 0.70~1.00mm

線皮外徑

Suitable Housing: PDK24031P10~PDK2403P25

配合塑膠

Suitable Connector: MDSK2403P10~MDSK2403P25

配合公座

Packing: 15,000PCS(Reel)

包裝數量

PERFORMANCE

Electrical Rating: AC/DC 150V 1A

額定電壓電流

Insulation Resistance: 500MΩ min.

絕緣阻抗

Withstanding Voltage: 500V AC/minute

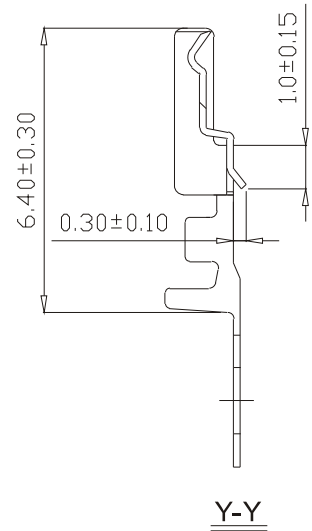
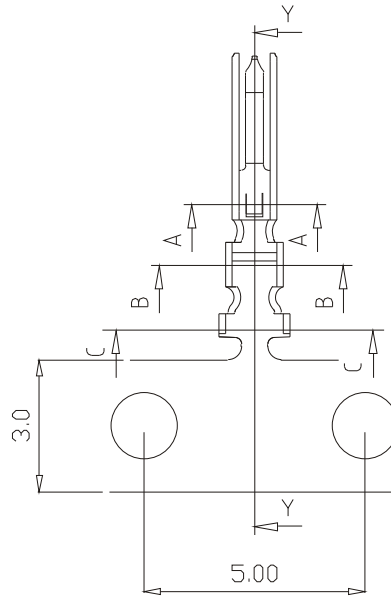
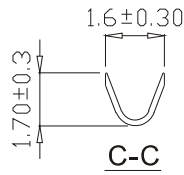
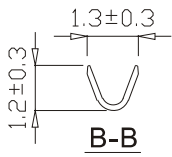
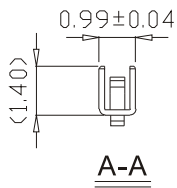
耐電壓

Temperature Range: -25°C~+85°C

適用溫度



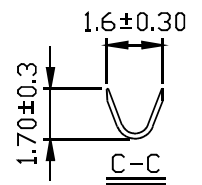
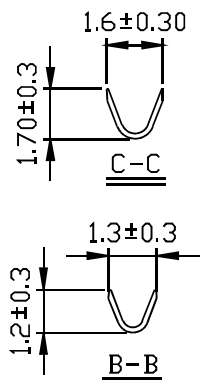
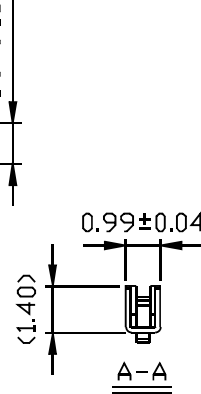
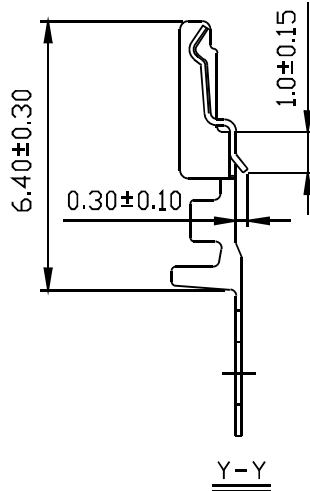
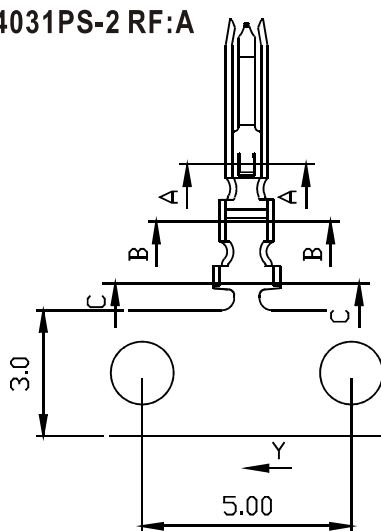
1.25mm



TERMINAL

Part No.: 24031PS-2 RF:A

產品編號



TOLERANCE	
.0	±0.25
.00	±0.15
.000	±0.05