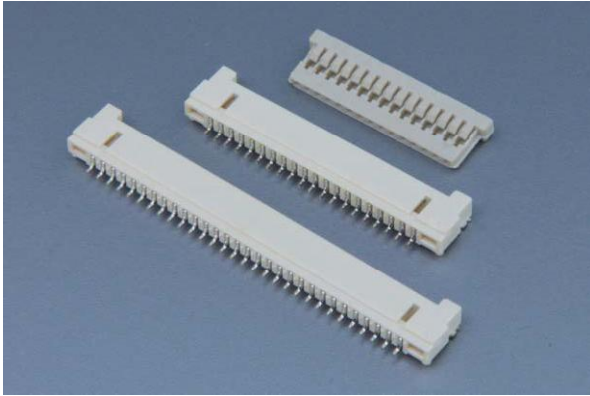


2404



Pitch 1.25mm Wire to Board Connectors - SMT Type



PERFORMANCE

Electrical Rating: AC/DC 150V 1A
 額定電壓電流
 Insulation Resistance: 500MΩ min.
 絕緣阻抗
 Withstanding Voltage: 500V AC/minute
 耐電壓
 Temperature Range: -35°C ~ +85°C
 適用溫度



1.25mm

CONNECTOR

Part No.: MS24042~MS240430 RF:G

產品編號

MS240420~MS240430 RF:HG

Material: Housing: Nylon 94V-0

材質 塑膠座

Contact Pin: Brass, tin-plated

接觸針 黃銅, 鍍錫

Reinforcement: Phos., tin-plated

補強片 磷青銅, 鍍錫

Suitable Contact: 2404PS

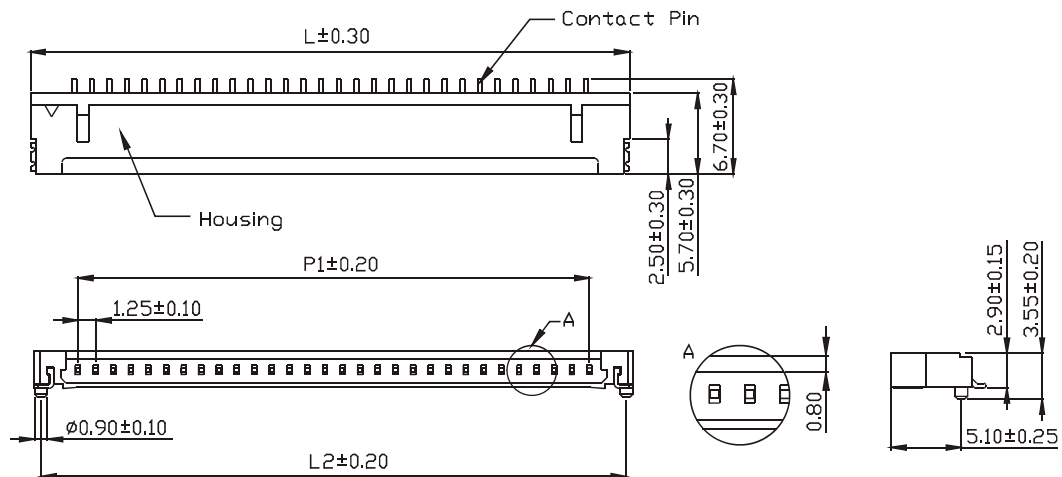
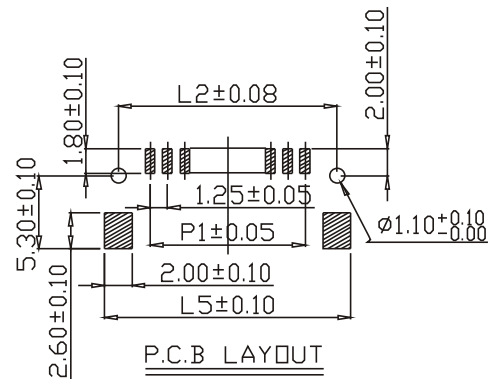
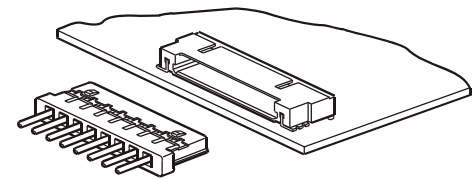
配合端子

Suitable Housing: P24042~P240430

配合塑膠

Packing: 1,500pcs/reel

包裝數量



Unit: mm

Unit: mm

Part No.	RF	POS.	L	L2	L5	P1	Part No.	RF	POS.	L	L2	L5	P1
MS240420	G	20	29.95	28.95	30.55	23.75	MS240420	HG	20	29.95	28.95	30.55	23.75
MS240425	G	25	36.20	35.20	36.80	30.00	MS240425	HG	25	36.20	35.20	36.80	30.00
MS240430	G	30	42.45	41.45	43.05	36.25	MS240430	HG	30	42.45	41.45	43.05	36.25

The part number follows with RF:HG indicates made by Halogen free material.

Behave in conformity with continual product development policy, Sin Sheng (STM) reserves the right of specification changing of contents described in this catalogue at any time and without prior notice. Please contact the sales department nearby for most updated information.
 由於產品持續開發的政策, 信盛(STM)保留隨時變更本目錄所述之規格且不需提前通知的權利, 請逕繫業務處查詢最新的產品資訊。

2404 Wire to Board Connectors - SMT Type



CONNECTOR

Part No.: **MS24042~MS240415 RF:HJ**

產品編號

Material: Housing: Nylon 94V-0

材質 塑膠座

Contact Pin: Phos., tin-plated

接觸針 磷青銅, 鍍錫

Suitable Contact: 2404PS

配合端子

Suitable Housing: P24042~P240415

配合塑膠

Packing: 1,000pcs/reel

包裝數量

PERFORMANCE

Electrical Rating: AC/DC 100V 1A

額定電壓電流

Insulation Resistance: 500MΩ min.

絕緣阻抗

Withstanding Voltage: 500V AC/minute

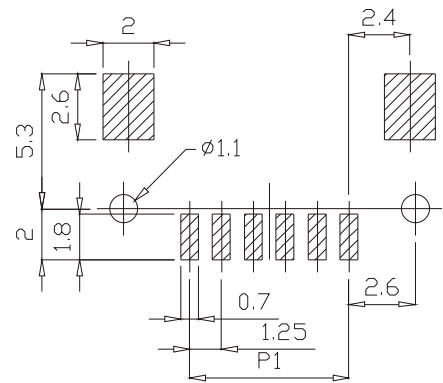
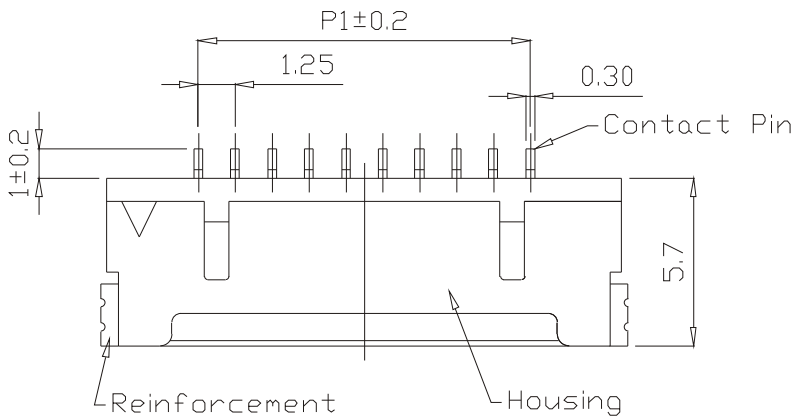
耐電壓

Temperature Range: -35°C~+85°C

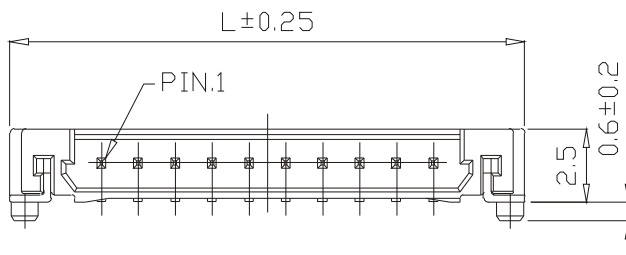
適用溫度



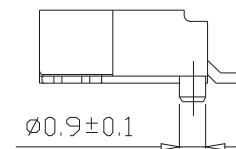
1.25mm



P.C.B LAYOUT



TOLERANCE	
X.	±0.35
.X	±0.25
.XX	±0.15
.XXX	±0.05



Unit: mm

Part No.	RF	POS.	L	P1	Part No.	RF	POS.	L	P1
MS24042	HJ	2	7.45	1.25	MS24047	HJ	7	13.70	7.50
MS24043	HJ	3	8.70	2.50	MS24048	HJ	8	14.95	8.75
MS24044	HJ	4	9.95	3.75	MS24049	HJ	9	16.20	10.00
MS24045	HJ	5	11.20	5.00	MS240410	HJ	10	17.45	11.25
MS24046	HJ	6	12.45	6.25	MS240415	HJ	15	23.70	17.50

2404 Wire to Board Connectors - SMT Type

CONNECTOR

Part No.: **MS24042~MS240430**

產品編號

Material: Housing: Nylon 94V-0

材質 塑膠座

Contact Pin: Brass, Tin-plated

接觸針 黃銅 鍍錫

Suitable Contact: 2404PS

配合端子

Suitable Housing: P24042~P240430

配合塑膠

Packing: 1,500pcs/reel

包裝數量

PERFORMANCE

Electrical Rating: AC/DC 150V 1A

額定電壓電流

Insulation Resistance: 500MΩ min.

絕緣阻抗

Withstanding Voltage: 500V AC/minute

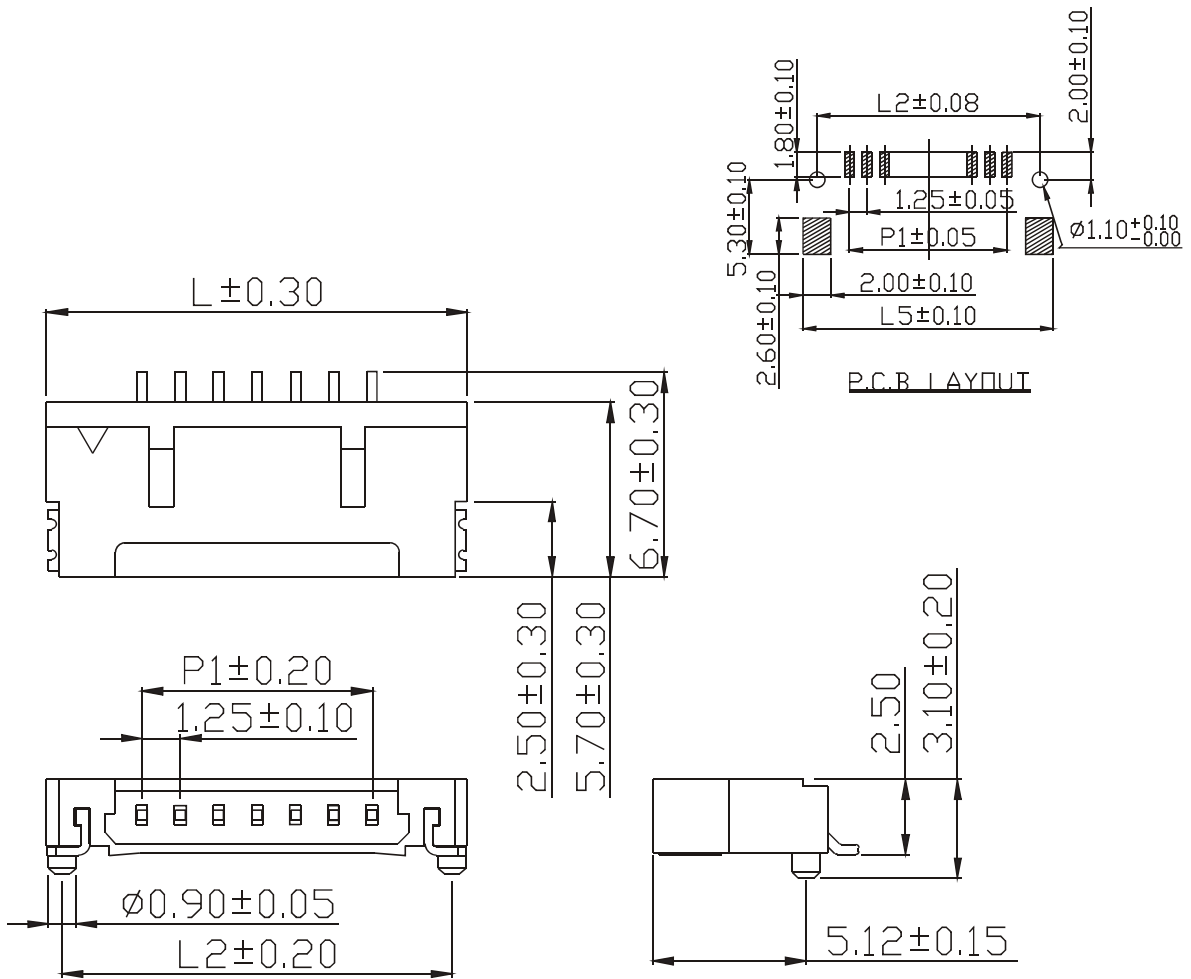
耐電壓

Temperature Range: -35°C~+85°C

適用溫度



1.25mm



Unit: mm

Part No.	POS.	L	L2	L5	P1	Part No.	POS.	L	L2	L5	P1
MS24042	2	7.45	6.45	8.05	1.25	MS24049	9	16.20	15.20	16.80	10.00
MS24043	3	8.70	7.70	9.30	2.50	MS240410	10	17.45	16.45	18.05	11.25
MS24044	4	9.95	8.95	10.55	3.75	MS240415	15	23.70	22.70	24.30	17.50
MS24045	5	11.20	10.20	11.80	5.00	MS240420	20	29.95	28.95	30.55	23.75
MS24046	6	12.45	11.45	13.05	6.25	MS240425	25	36.20	35.20	36.80	30.00
MS24047	7	13.70	12.70	14.30	7.50	MS240430	30	42.45	41.45	43.05	36.25
MS24048	8	14.95	13.95	15.55	8.75						

2404 Wire to Board Connectors - SMT Type

CONNECTOR

Part No.: **MS240420~MS240430 RF:K**

產品編號

Material: Housing: Nylon 94V-0

材質 塑膠座

Contact Pin: Brass, Gold-flashed

接觸針 黃銅 鍍錫

Reinforcement: Phos., Tin-plated

補強片 磷青銅 鍍錫

Suitable Contact: 2404PS

配合端子

Suitable Housing: P240420~P240430

配合塑膠

Packing: 1,500pcs/reel

包裝數量

PERFORMANCE

Electrical Rating: AC/DC 100V 1A

額定電壓電流

Insulation Resistance: 500MΩ min.

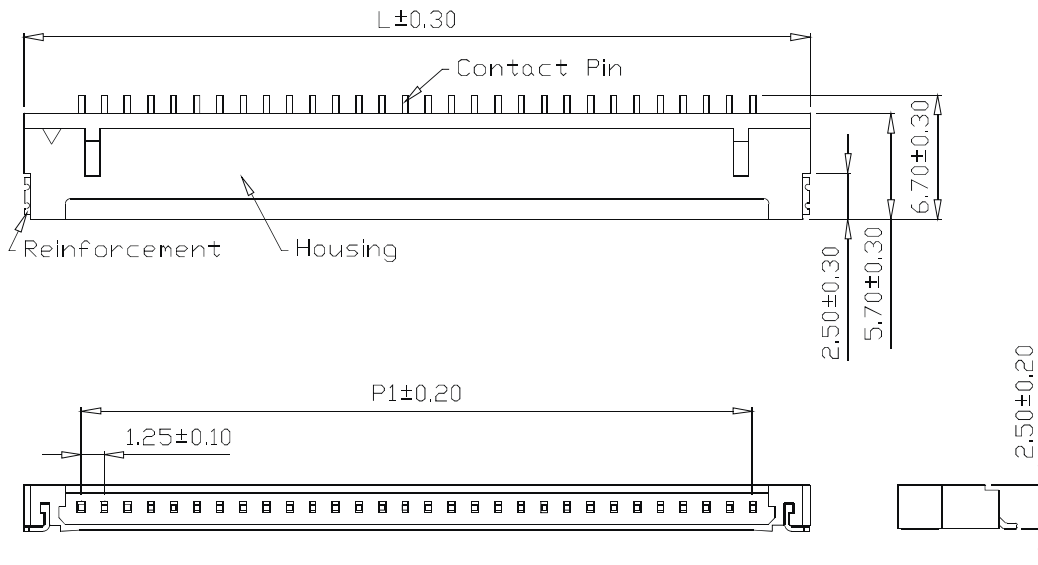
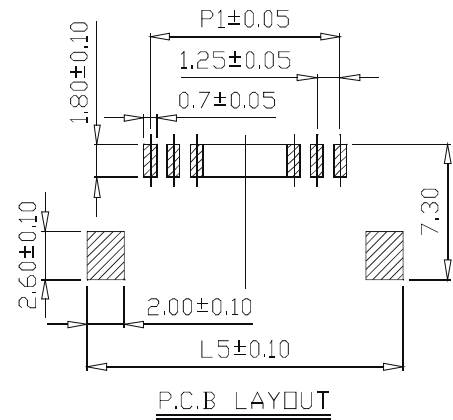
絕緣阻抗

Withstanding Voltage: 500V AC/minute

耐電壓

Temperature Range: -25°C~+85°C

適用溫度



Unit: mm

Part No.	RF	POS.	L	L5	P1
MS240420	K	20	29.95	30.55	23.75
MS240425	K	25	36.20	36.80	30.00
MS240430	K	30	42.45	43.05	36.25

1.25mm

2404 Wire to Board Connectors - SMT Type

CONNECTOR

Part No.: **MS240420~MS240430 RF:L**

產品編號

Material: Housing: Nylon 94V-0

材質 塑膠座

Contact Pin: Brass, Gold-flashed

接觸針 黃銅 鍍錫

Reinforcement: Phos., Tin-plated

補強片 磷青銅 鍍錫

Suitable Contact: 2404PS

配合端子

Suitable Housing: P240420~P240430

配合塑膠

Packing: 1,500pcs/reel

包裝數量

PERFORMANCE

Electrical Rating: AC/DC 100V 1A

額定電壓電流

Insulation Resistance: 500MΩ min.

絕緣阻抗

Withstanding Voltage: 500V AC/minute

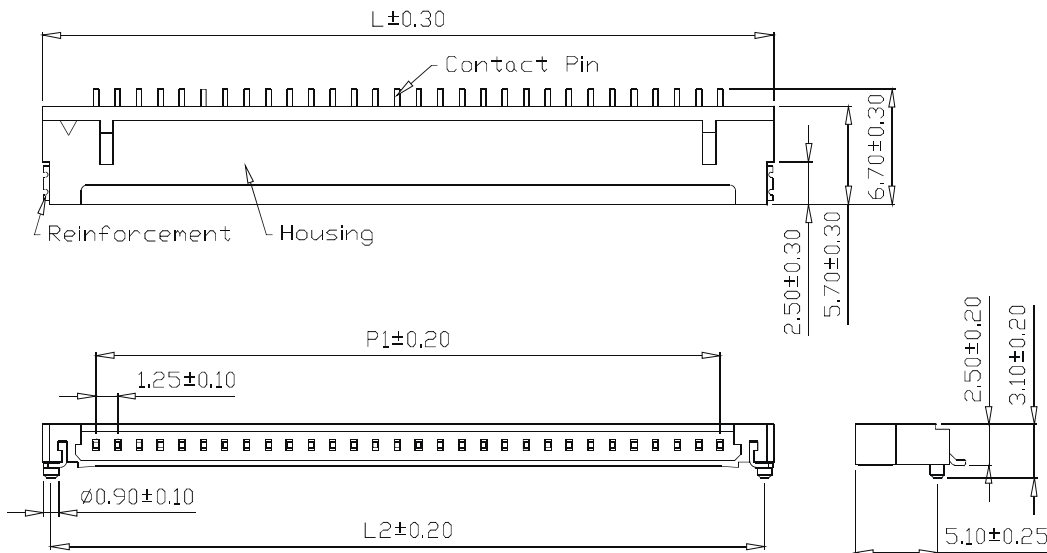
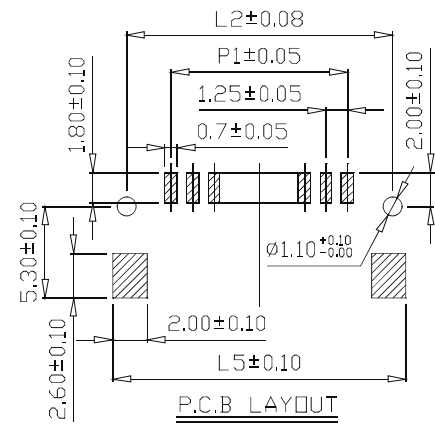
耐電壓

Temperature Range: -25°C~+85°C

適用溫度



1.25mm



Unit: mm

Part No.	RF	POS.	L	L5	L2	P1
MS240420	L	20	29.95	30.55	28.95	23.75
MS240425	L	25	36.20	36.80	35.20	30.00
MS240430	L	30	42.45	43.05	41.45	36.25

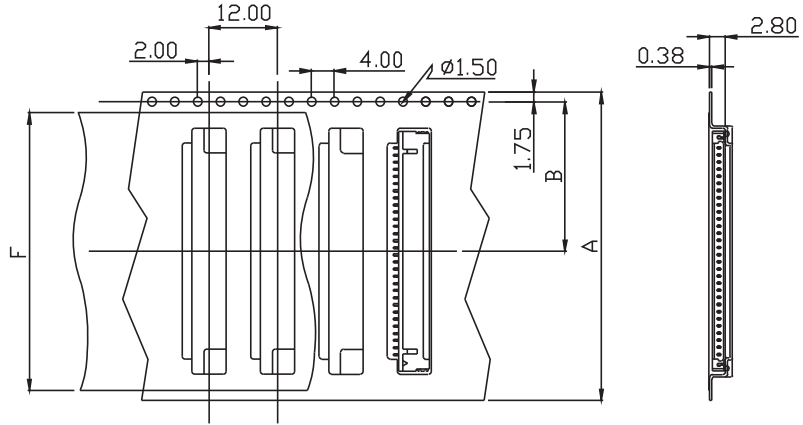
2404 Wire to Board Connectors - SMT Type



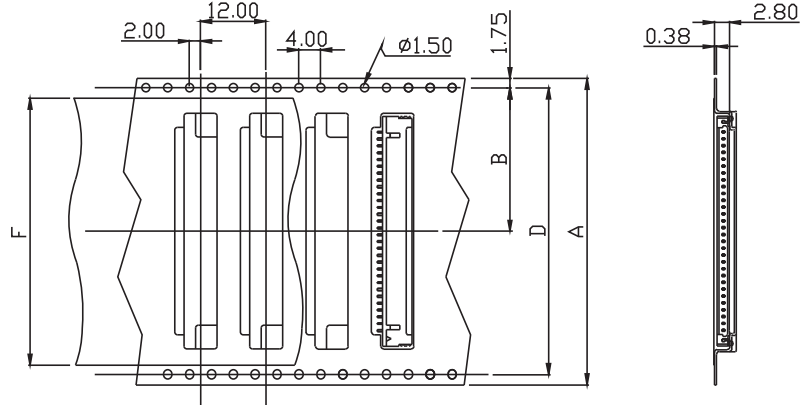
Embossed Carrier Tape Dimensional Drawing

MS2404Series

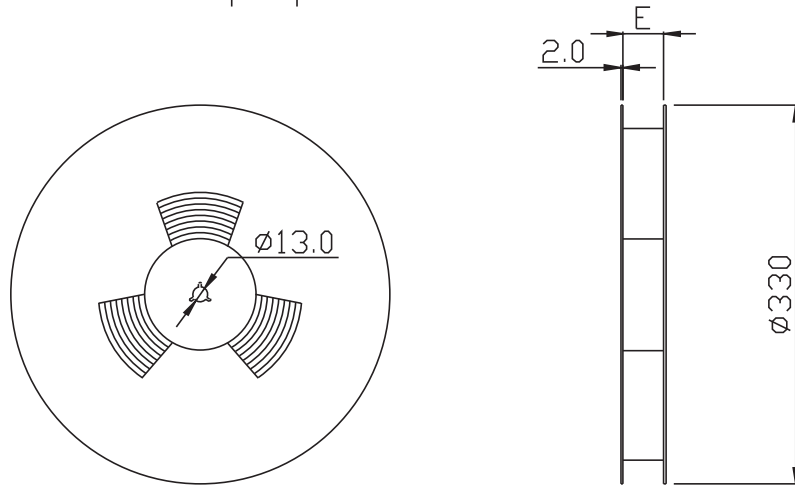
Position No.2~10



Position No.15~30



Packing Tape



Unit: mm

POS.	A	B	F	E	D	POS.	A	B	F	E	D
2	16.00	7.50	7.75	16.40		9	24.00	11.50	16.50	24.40	
3	16.00	7.50	9.00	16.40		10	24.00	11.50	17.75	24.40	
4	24.00	11.50	10.25	24.40		15	44.00	20.20	24.00	44.40	40.40
5	24.00	11.50	11.50	24.40		20	44.00	20.20	30.25	44.40	40.40
6	24.00	11.50	11.50	24.40		25	56.00	26.20	36.50	56.40	52.40
7	24.00	11.50	11.50	24.40		30	56.00	26.20	42.75	56.40	52.40
8	24.00	11.50	15.25	24.40							

1.25mm



2404 Wire to Board Connectors - SMT Type



CONNECTOR

Part No.: **MSB240420.**

產品編號

Material: Housing: Nylon 94V-0

材質 塑膠座

Contact Pin: Brass, Tin-plated

接觸針 黃銅 鍍錫

Suitable Contact: 2404PS

配合端子

Suitable Housing: P240420

配合塑膠

Packing: 1,500pcs/reel

包裝數量

PERFORMANCE

Electrical Rating: AC/DC 30V 1A

額定電壓電流

Insulation Resistance: 500MΩ min.

絕緣阻抗

Withstanding Voltage: 500V AC/minute

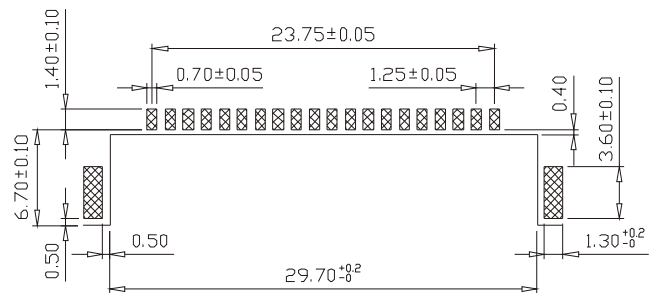
耐電壓

Temperature Range: -35°C~+85°C

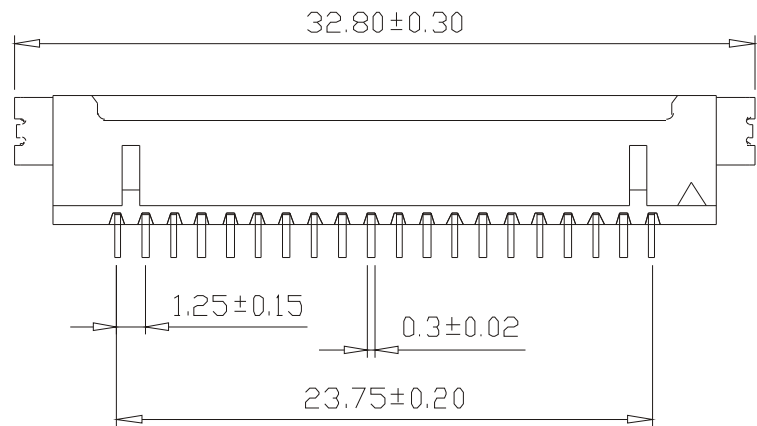
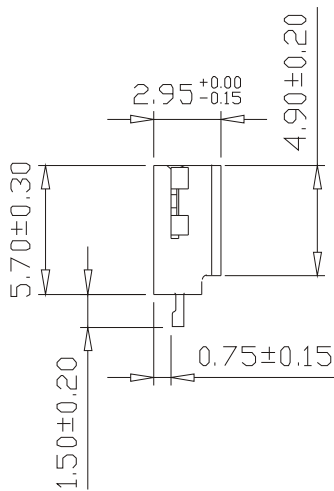
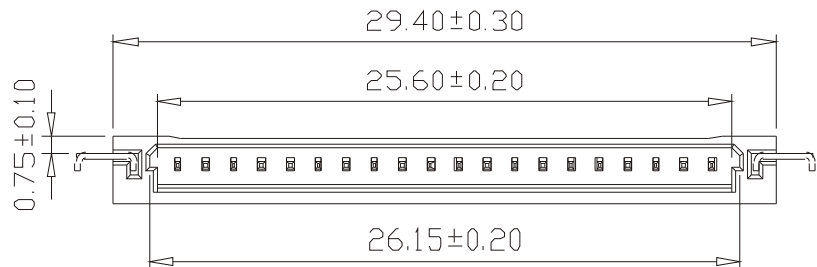
適用溫度



1.25mm



P.C.B LAYOUT



2404 Wire to Board Connectors - SMT Type

CONNECTOR

Part No.: **MSB240420 RF:D**

產品編號

Material: Housing: Nylon 94V-0

材質 塑膠座

Contact Pin: Brass, gold-plated

接觸針 黃銅, 鍍金

Reinforcement: Brass, tin-plated

補強片 黃銅, 鍍錫

Suitable Contact: 2404PS

配合端子

Suitable Housing: P240420

配合塑膠

Packing: 1,500pcs/reel

包裝數量

PERFORMANCE

Electrical Rating: AC/DC 150V 1A

額定電壓電流

Insulation Resistance: 500MΩ min.

絕緣阻抗

Withstanding Voltage: 500V AC/minute

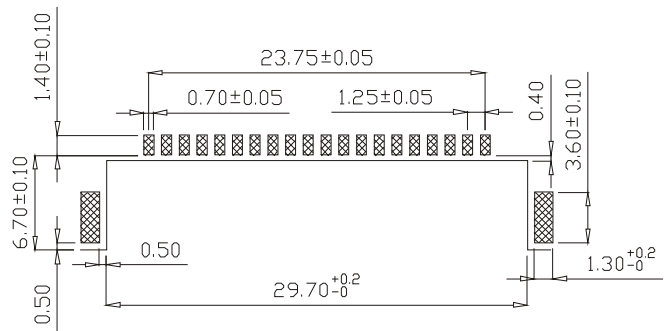
耐電壓

Temperature Range: -35°C~+85°C

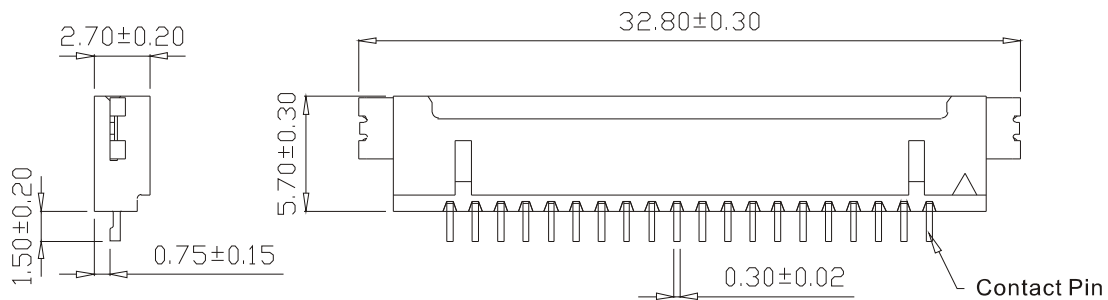
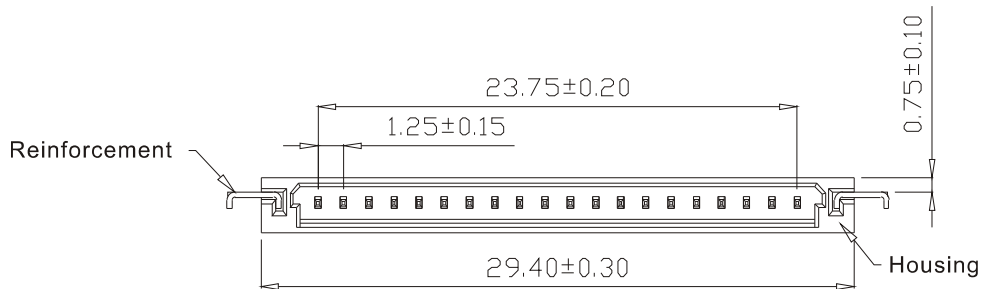
適用溫度



1.25mm



P.C.B LAYOUT



2404 Wire to Board Connectors - SMT Type

CONNECTOR

Part No.: **MSB240420 RF:H**

產品編號

Material: Housing: Nylon 94V-0

材質 塑膠座

Contact Pin: Brass, gold-plated

接觸針 黃銅 鍍金

Reinforcement: Brass, tin-plated

補強片 黃銅 鍍錫

Suitable Contact: 2404PS

配合端子

Suitable Housing: P240420

配合塑膠

Packing: 1,500pcs/reel

包裝數量

PERFORMANCE

Electrical Rating: AC/DC 30V 1A

額定電壓電流

Insulation Resistance: 500MΩ min.

絕緣阻抗

Withstanding Voltage: 500V AC/minute

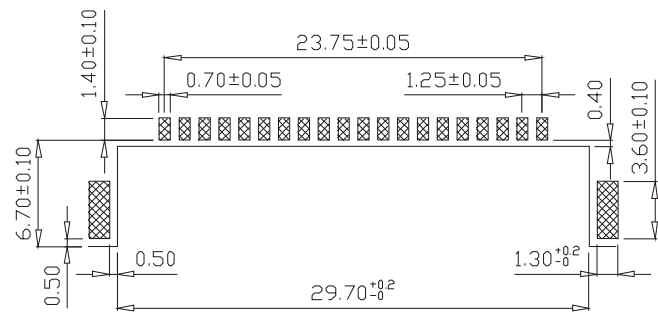
耐電壓

Temperature Range: -40°C~+95°C

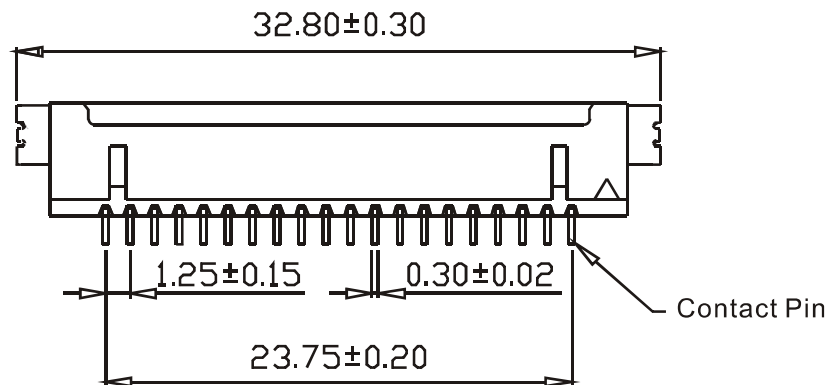
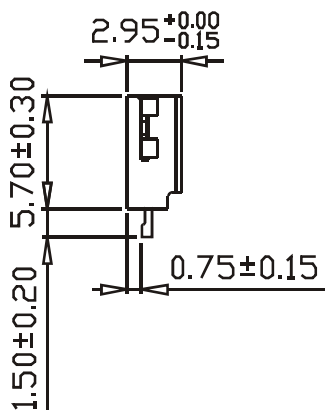
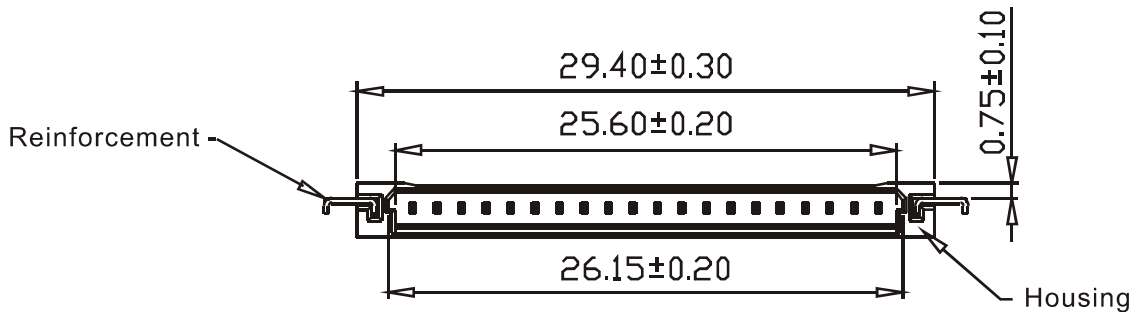
適用溫度



1.25mm



P.C.B LAYOUT



2404 Wire to Board Connectors - SMT Type



CONNECTOR

Part No.: **MSB240420 RF:HD**

產品編號

Material: Housing: Nylon 94V-0

材質 塑膠座

Contact Pin: Brass, gold-plated

接觸針 黃銅 鍍金

Reinforcement: Brass, tin-plated

補強片 黃銅 鍍錫

Suitable Contact: 2404PS

配合端子

Suitable Housing: P240420

配合塑膠

Packing: 1,500pcs/reel

包裝數量

PERFORMANCE

Electrical Rating: AC/DC 150V 1A

額定電壓電流

Insulation Resistance: 500MΩ min.

絕緣阻抗

Withstanding Voltage: 500V AC/minute

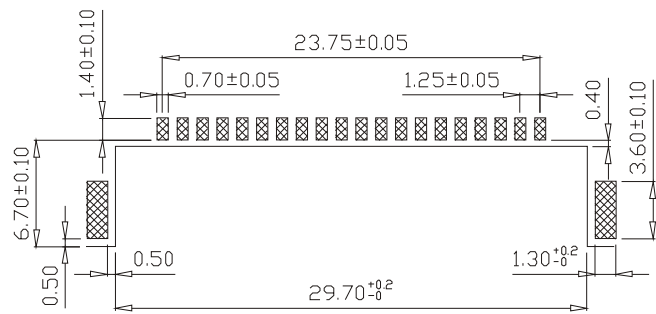
耐電壓

Temperature Range: -40°C~+95°C

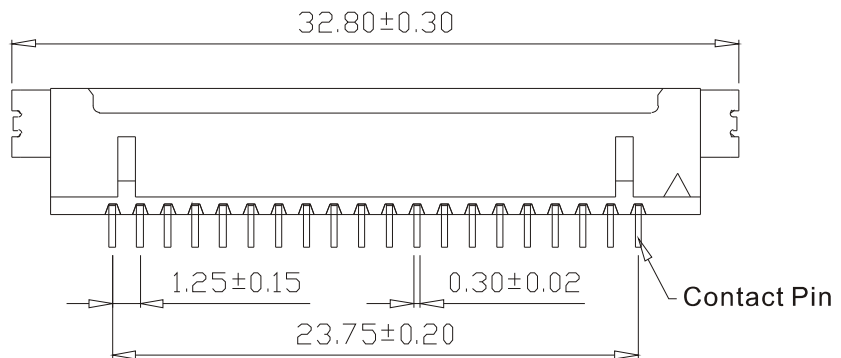
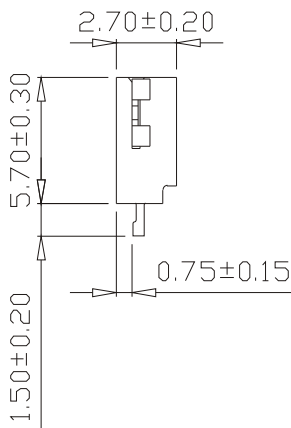
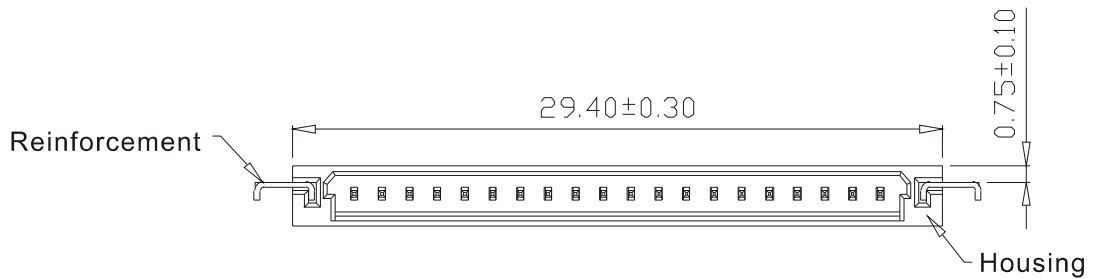
適用溫度



1.25mm



P.C.B LAYOUT



2404 Wire to Board Connectors - SMT Type

CONNECTOR

Part No.: **MSB240420 RF:HE**

產品編號

Material: Housing: Nylon 94V-0

材質 塑膠座

Contact Pin: Brass, gold-plated

接觸針 黃銅 鍍金

Reinforcement: Brass, tin-plated

補強片 黃銅 鍍錫

Suitable Contact: 2404PS

配合端子

Suitable Housing: P240420

配合塑膠

Packing: 1,500pcs/reel

包裝數量

PERFORMANCE

Electrical Rating: AC/DC 150V 1A

額定電壓電流

Insulation Resistance: 500MΩ min.

絕緣阻抗

Withstanding Voltage: 500V AC/minute

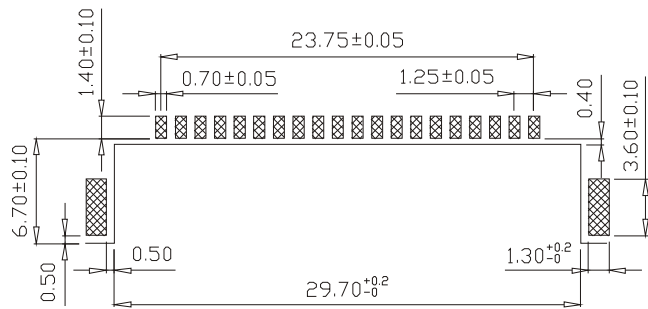
耐電壓

Temperature Range: -40°C~+95°C

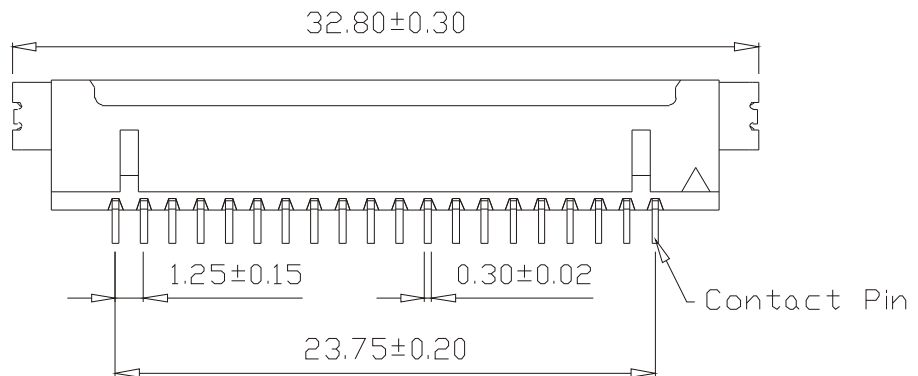
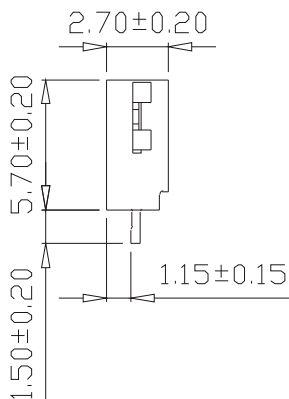
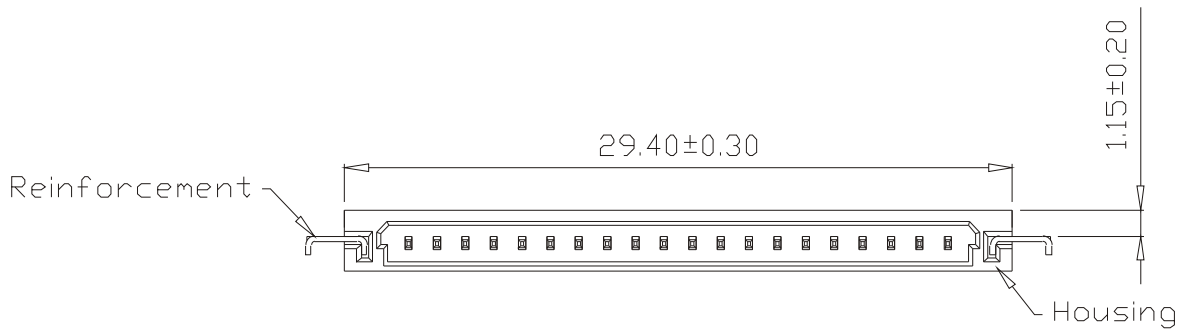
適用溫度



1.25mm



P.C.B LAYOUT



2404 Wire to Board Connectors - SMT Type

CONNECTOR

Part No.: **MSB240420 RF:HF**

產品編號

Material: Housing: Nylon 94V-0

材質 塑膠座

Contact Pin: Brass, gold-plated

接觸針 黃銅 鍍金

Reinforcement: Brass, tin-plated

補強片 黃銅 鍍錫

Suitable Contact: 2404PS

配合端子

Suitable Housing: P240420

配合塑膠

Packing: 1,500pcs/reel

包裝數量 捲

PERFORMANCE

Electrical Rating: AC/DC 30V 1A

額定電壓電流

Insulation Resistance: 500MΩ min.

絕緣阻抗

Withstanding Voltage: 500V AC/minute

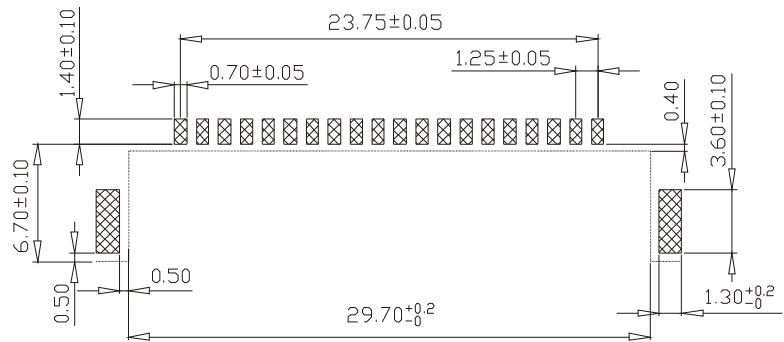
耐電壓

Temperature Range: -40°C~+95°C

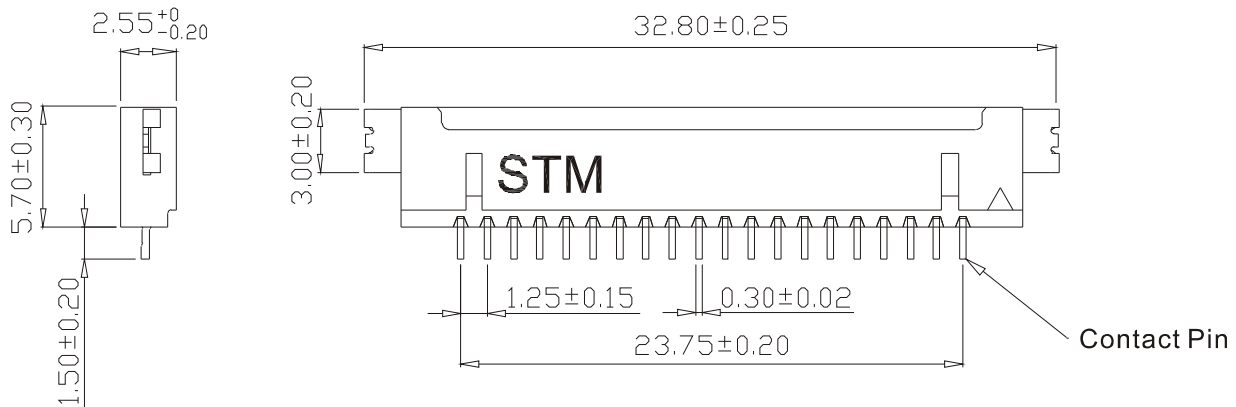
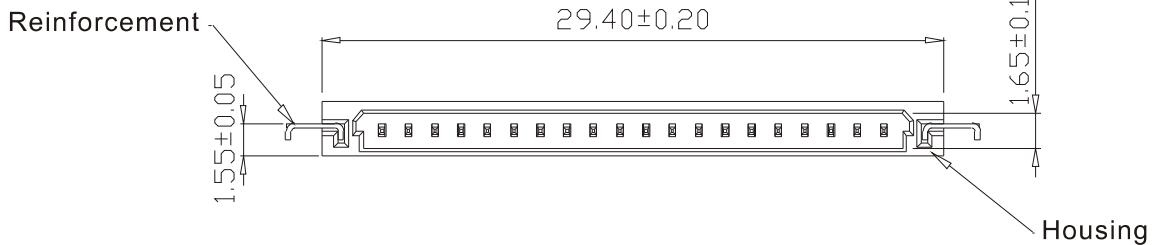
適用溫度



1.25mm

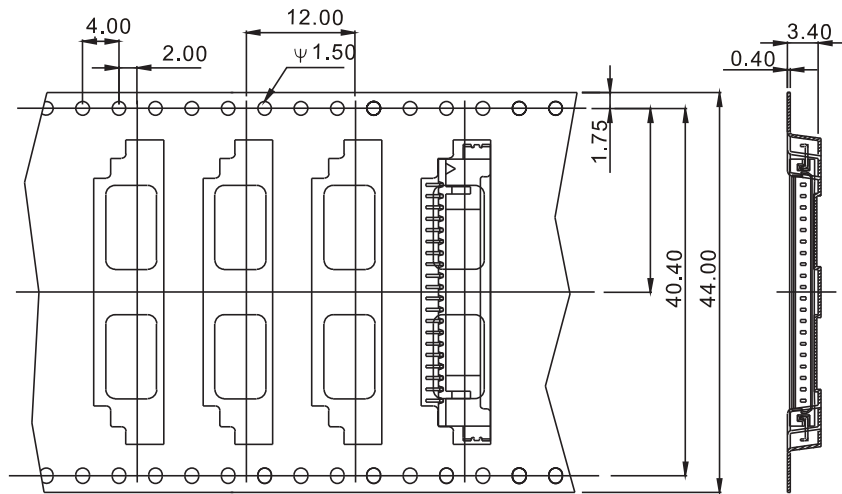


P.C.B LAYOUT

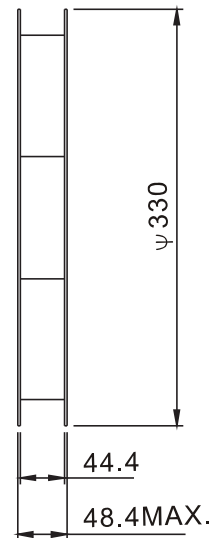
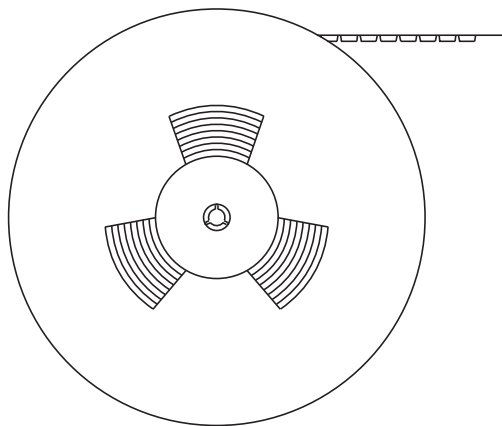


Embossed Carrier Tape Dimensional Drawing

MSB2404Series



1.25mm



2404 Wire to Board Connectors - SMT Type

CONNECTOR

Part No.: **MSKF240430**

產品編號

Material: Housing: Nylon 94V-0

材質 塑膠座

Contact Pin: Phos., Tin-plated

接觸針 磷青銅, 鍍錫

Reinforcement : Brass

補強片 黃銅

Suitable Contact: 2404PS-2

配合端子

Suitable Housing: PKF240430

配合塑膠

Packing: 1,000pcs/reel

包裝數量

PERFORMANCE

Electrical Rating: AC/DC 30V 1A

額定電壓電流

Insulation Resistance: 500MΩ min.

絕緣阻抗

Withstanding Voltage: 500V AC/minute

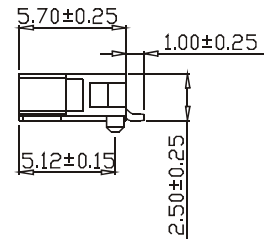
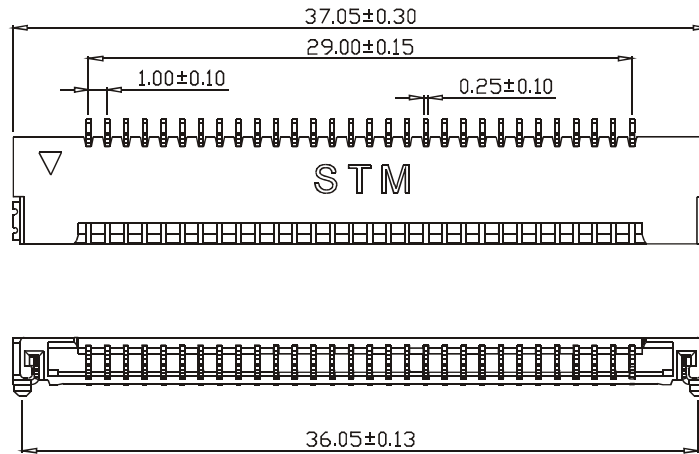
耐電壓

Temperature Range: -35°C~+85°C

適用溫度

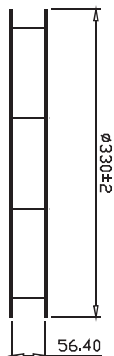
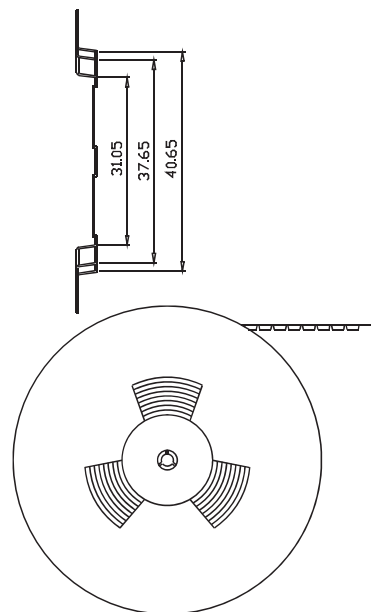
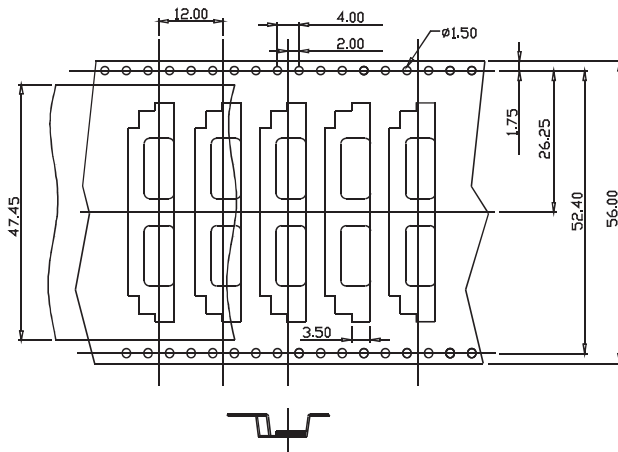


1.25mm



Embossed Carrier Tape Dimensional Drawing

MSKF2404Series



2404 Wire to Board Connectors



HOUSING

Part No.: **P24042~P240430**

產品編號

Material: Nylon 94V-0

材質

Suitable Contact: 2404PS-2

配合端子

Suitable Connector: MS24042~MS240430

配合公座

Applicable Wire: AWG# 28~32

適用電線

PERFORMANCE

Electrical Rating: AC/DC 150V 1A

額定電壓電流

Insulation Resistance: 500MΩ min.

絕緣阻抗

Withstanding Voltage: 500V AC/minute

耐電壓

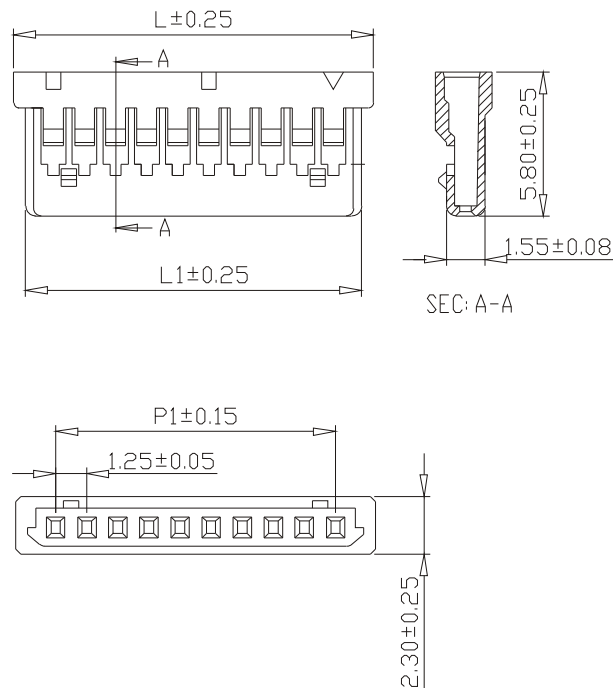
Temperature Range: -35°C~+85°C

適用溫度

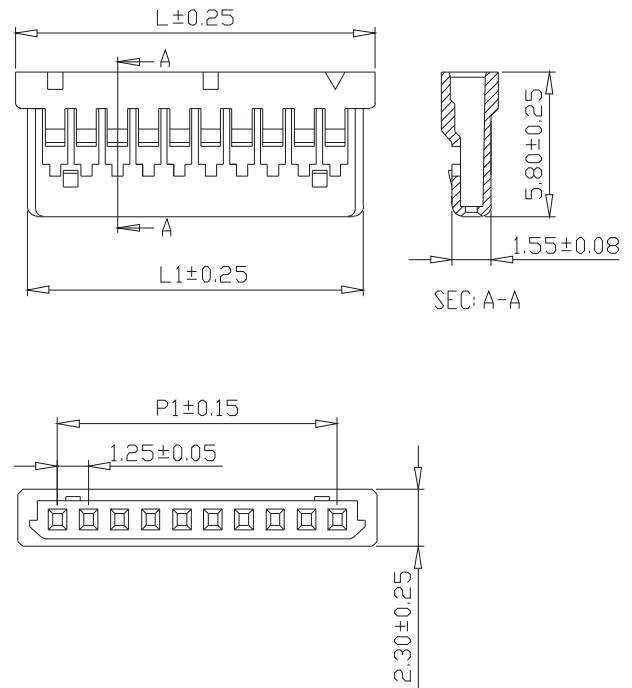


1.25mm

P/NO. P24042~P240415 ,25



P/NO. P240420 ,30



Unit: mm

Part No.	POS.	L	L1	P1	Pack.	Part No.	POS.	L	L1	P1	Pack.
P24042	2	4.45	3.55	1.25	1000	P24049	9	13.20	12.30	10.00	1000
P24043	3	5.70	4.80	2.50	1000	P240410	10	14.45	13.55	11.25	1000
P24044	4	6.95	6.05	3.75	1000	P240415	15	20.70	19.80	17.50	1000
P24045	5	8.20	7.30	5.00	1000	P240420	20	26.95	26.05	23.75	1000
P24046	6	9.45	8.55	6.25	1000	P240425	25	33.20	32.30	30.00	1000
P24047	7	10.70	9.80	7.50	1000	P240430	30	39.45	38.55	36.25	1000
P24048	8	11.95	11.05	8.75	1000						

2404 Wire to Board Connectors

HOUSING

Part No.: **PKF240430**

產品編號

Material: Housing: Nylon 94V-0

材質 塑膠座

Reinforcement : Stainless Steel

補強片 不銹鋼

Hook: Nylon 94V-0

卡勾

Suitable Contact: 2404PS-2

配合端子

Suitable Connector: MSB240430

配合公座

Applicable Wire: FFC Flat Cables

適用電線

PERFORMANCE

Electrical Rating: AC/DC 150V 1A

額定電壓電流

Insulation Resistance: 500MΩ min.

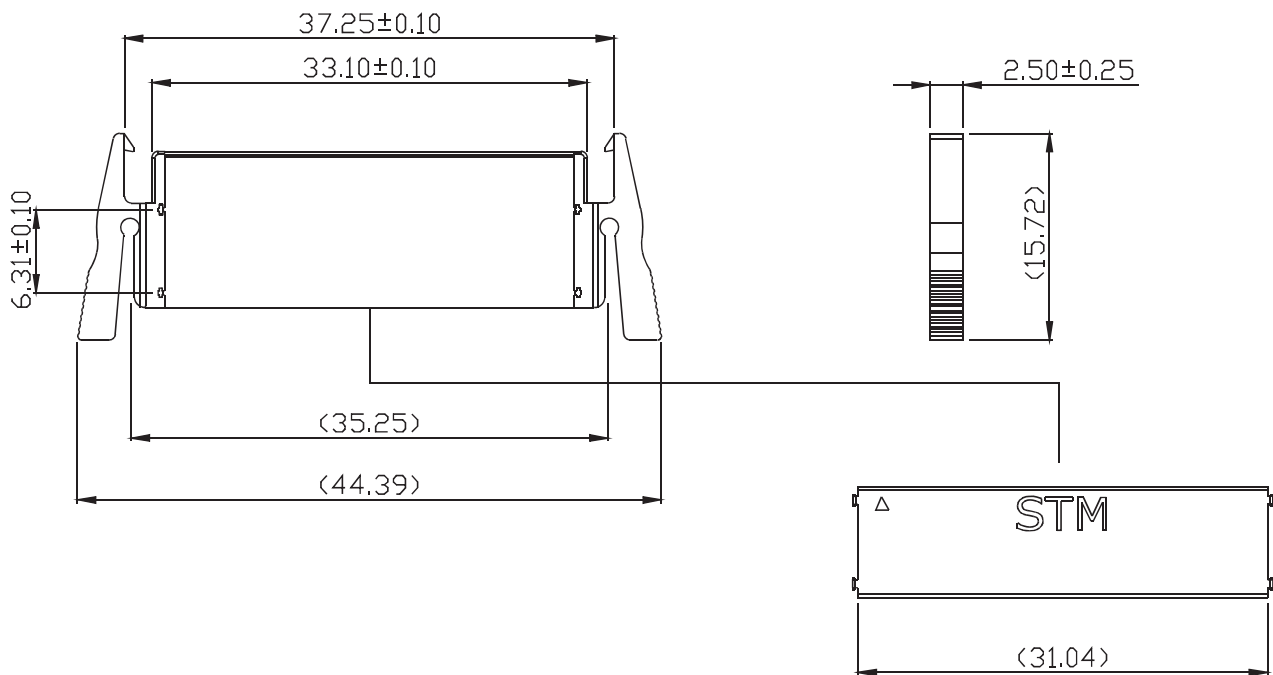
絕緣阻抗

Withstanding Voltage: 500V AC/minute

耐電壓

Temperature Range: -35°C~+85°C

適用溫度



1.25mm

