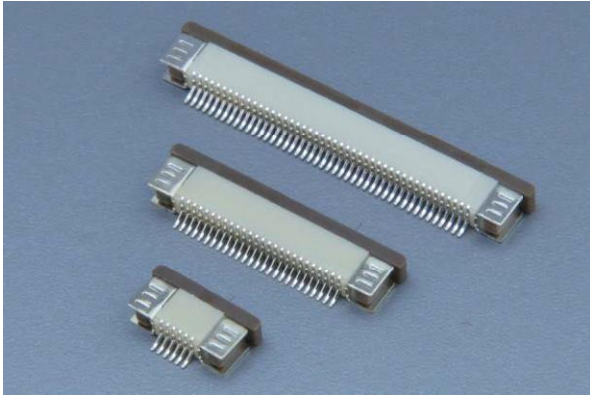


2406



Pitch 0.5mm FFC/FPC Connectors - SMT Type



PERFORMANCE

Electrical Rating: AC/DC 250V 0.5A
 額定電壓電流
 Insulation Resistance: 100MΩ min.
 絕緣阻抗
 Withstanding Voltage: 250V AC/minute
 耐電壓
 Temperature Range: -40°C~+85°C
 適用溫度



0.5mm

CONNECTOR - Upward Connect

Part No.: MS2406P15~MS2406P50 RF:A

產品編號

Material: Housing: Nylon 94V-0

材質 塑膠座

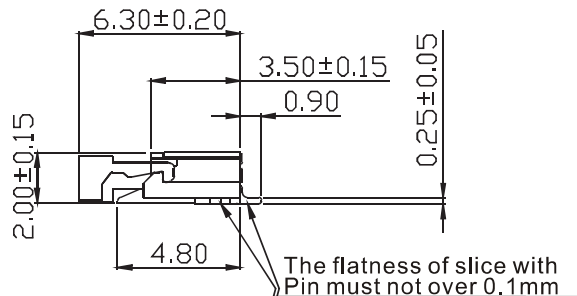
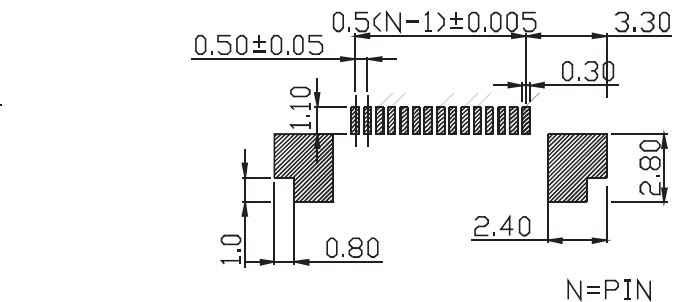
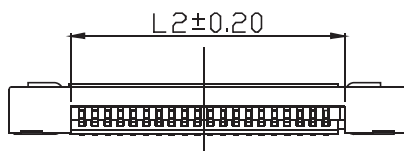
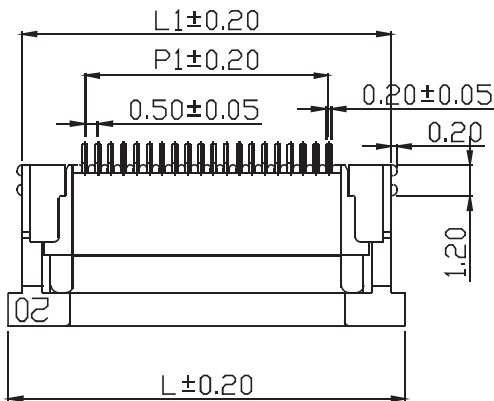
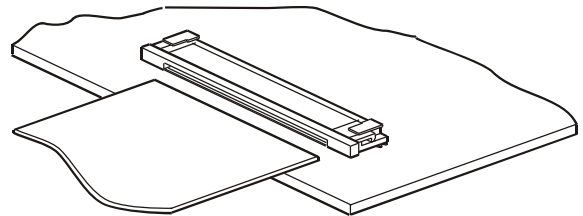
Contact Pin: Brass, Tin-plated

接觸針 黃銅, 鍍錫

Applicable Wire: FPC: 0.3mm thick flat cable.
 適用電線

Packing: 2,000PCS (Reel)

包裝數量



Unit: mm

Part No.	RF	POS.	L	L1	L2	P1
MS2406P15	A	15	13.00	11.90	8.15	7.00
MS2406P20	A	20	15.50	14.40	10.65	9.50
MS2406P30	A	30	20.50	19.40	15.65	14.50
MS2406P35	A	35	23.00	21.90	18.15	17.00
MS2406P40	A	40	25.50	24.40	20.65	19.50
MS2406P45	A	45	28.00	26.90	23.15	22.00
MS2406P50	A	50	30.50	29.40	25.65	24.50

Behave in conformity with continual product development policy, Sin Sheng (STM) reserves the right of specification changing of contents described in this catalogue at any time and without prior notice. Please contact the sales department nearby for most updated information.
 由於產品持續開發的政策, 信盛(STM)保留隨時變更本目錄所述之規格且不需提前通知的權利, 請聯繫業務處查詢最新的產品資訊。

2406 FFC/FPC Connectors - SMT Type

CONNECTOR - Downward Contact

Part No.: MS2406P15~MS2406P50 RF:B

產品編號

Material: Housing: Nylon 94V-0

材質

塑膠座

Contact Pin: Brass, Tin-plated

接觸針

黃銅, 鍍錫

Applicable Wire: FPC: 0.3mm thick flat cable.

適用電線

Packing: 2,000PCS (Reel)

包裝數量

PERFORMANCE

Electrical Rating: AC/DC 250V 0.3A

額定電壓電流

Insulation Resistance: 100MΩ min.

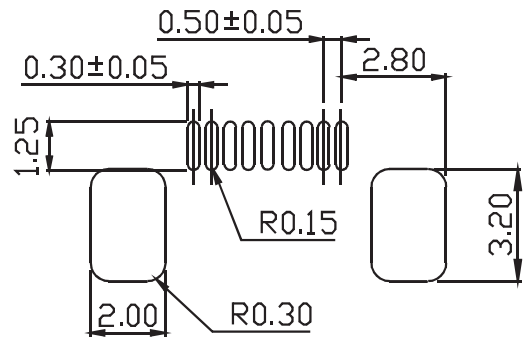
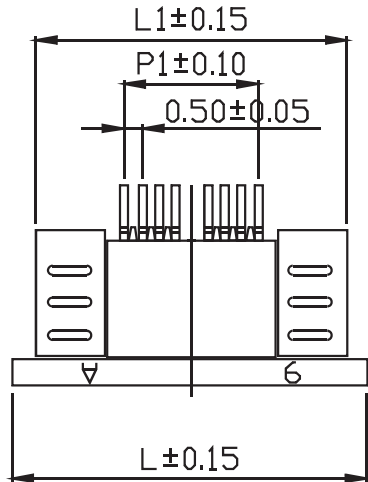
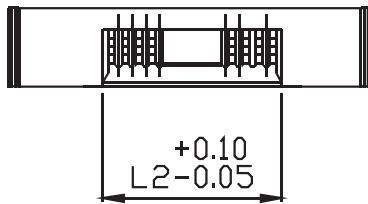
絕緣阻抗

Withstanding Voltage: 250V AC/minute

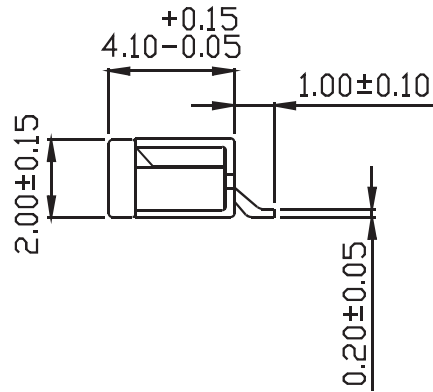
耐電壓

Temperature Range: -25°C~+85°C

適用溫度



PCB LAYOUT



Note: A reference letter "B" to be added after the original part numbers. E.g MS2406P4 B

Unit: mm

PartNo.	POS.	L	L1	L2	P1	PartNo.	POS.	L	L1	L2	P1	PartNo.	POS.	L	L1	L2	P1
MS2406P4	4	7.5	6.7	2.6	1.5	MS2406P20	20	15.5	14.7	10.6	9.5	MS2406P36	36	23.5	22.7	18.6	17.5
MS2406P5	5	8.0	7.2	3.1	2.0	MS2406P21	21	16.0	15.2	11.1	10.0	MS2406P37	37	24.0	23.2	19.1	18.0
MS2406P6	6	8.5	7.7	3.6	2.5	MS2406P22	22	16.5	15.7	11.6	10.5	MS2406P38	38	24.5	23.7	19.6	18.5
MS2406P7	7	9.0	8.2	4.1	3.0	MS2406P23	23	17.0	16.2	12.1	11.0	MS2406P39	39	25.0	24.2	20.1	19.0
MS2406P8	8	9.5	8.7	4.6	3.5	MS2406P24	24	17.5	16.7	12.6	11.5	MS2406P40	40	25.5	24.7	20.6	19.5
MS2406P9	9	10.0	9.2	5.1	4.0	MS2406P25	25	18.0	17.2	13.1	12.0	MS2406P41	41	26.0	25.2	21.1	20.0
MS2406P10	10	10.5	9.7	5.6	4.5	MS2406P26	26	18.5	17.7	13.6	12.5	MS2406P42	42	26.5	25.7	21.6	20.5
MS2406P11	11	11.0	10.2	6.1	5.0	MS2406P27	27	19.0	18.2	14.1	13.0	MS2406P43	43	27.0	26.2	22.1	21.0
MS2406P12	12	11.5	10.7	6.6	5.5	MS2406P28	28	19.5	18.7	14.6	13.5	MS2406P44	44	27.5	26.7	22.6	21.5
MS2406P13	13	12.0	11.2	7.1	6.0	MS2406P29	29	20.0	19.2	15.1	14.0	MS2406P45	45	28.0	27.2	23.1	22.0
MS2406P14	14	12.5	11.7	7.6	6.5	MS2406P30	30	20.5	19.7	15.6	14.5	MS2406P46	46	28.5	27.7	23.6	22.5
MS2406P15	15	13.0	12.2	8.1	7.0	MS2406P31	31	21.0	20.2	16.1	15.0	MS2406P47	47	29.0	28.2	24.1	23.0
MS2406P16	16	13.5	12.7	8.6	7.5	MS2406P32	32	21.5	20.7	16.6	15.5	MS2406P48	48	29.5	28.7	24.6	23.5
MS2406P17	17	14.0	13.2	9.1	8.0	MS2406P33	33	22.0	21.2	17.1	16.0	MS2406P49	49	30.0	29.2	25.1	24.0
MS2406P18	18	14.5	13.7	9.6	8.5	MS2406P34	34	22.5	21.7	17.6	16.5	MS2406P50	50	30.5	29.7	25.6	24.5
MS2406P19	19	15.0	14.2	10.1	9.0	MS2406P35	35	23.0	22.2	18.1	17.0						

2406 FFC/FPC Connectors - SMT Type



0.5mm

CONNECTOR - Upward Contact

Part No.: MS2406P15~MS2406P50 RF:C

產品編號

Material: Housing: Nylon 94V-0

材質

塑膠座

Contact Pin: Brass, Tin-plated

接觸針

黃銅, 鍍錫

Applicable Wire: FPC: 0.3mm thick flat cable.

適用電線

Packing: 2,000PCS (Reel)

包裝數量

PERFORMANCE

Electrical Rating: AC/DC 25V 0.3A

額定電壓電流

Insulation Resistance: 100MΩ min.

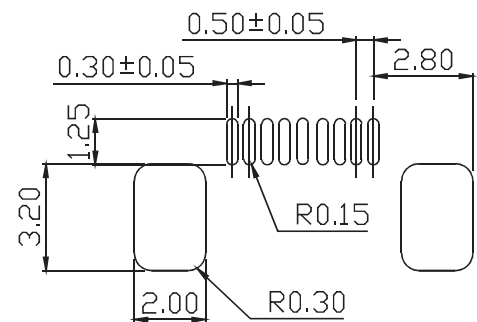
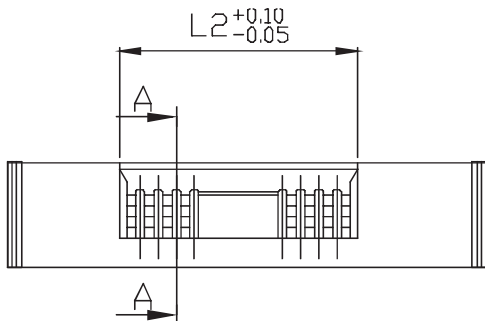
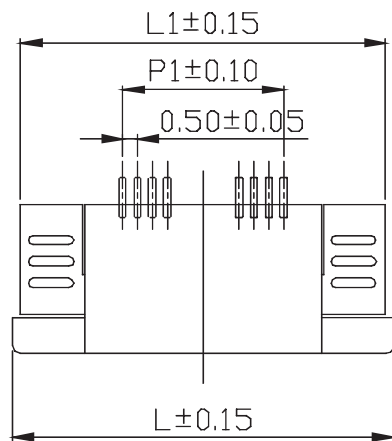
絕緣阻抗

Withstanding Voltage: 250V AC/minute

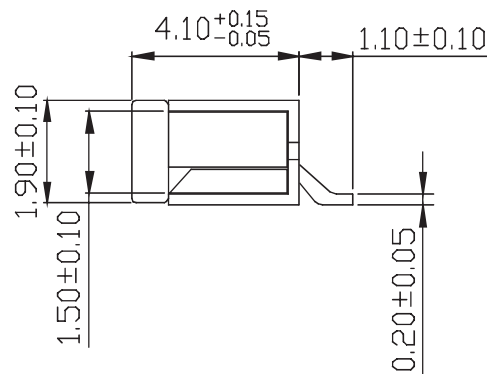
耐電壓

Temperature Range: -25°C~+85°C

適用溫度



PCB LAYOUT



Note: A reference letter "C" to be added after the original part numbers. E.g MS2406P4 C

Unit: mm

PartNo.	POS.	L	L1	L2	P1	PartNo.	POS.	L	L1	L2	P1	PartNo.	POS.	L	L1	L2	P1
MS2406P4	4	7.5	6.7	2.6	1.5	MS2406P20	20	15.5	14.7	10.6	9.5	MS2406P36	36	23.5	22.7	18.6	17.5
MS2406P5	5	8.0	7.2	3.1	2.0	MS2406P21	21	16.0	15.2	11.1	10.0	MS2406P37	37	24.0	23.2	19.1	18.0
MS2406P6	6	8.5	7.7	3.6	2.5	MS2406P22	22	16.5	15.7	11.6	10.5	MS2406P38	38	24.5	23.7	19.6	18.5
MS2406P7	7	9.0	8.2	4.1	3.0	MS2406P23	23	17.0	16.2	12.1	11.0	MS2406P39	39	25.0	24.2	20.1	19.0
MS2406P8	8	9.5	8.7	4.6	3.5	MS2406P24	24	17.5	16.7	12.6	11.5	MS2406P40	40	25.5	24.7	20.6	19.5
MS2406P9	9	10.0	9.2	5.1	4.0	MS2406P25	25	18.0	17.2	13.1	12.0	MS2406P41	41	26.0	25.2	21.1	20.0
MS2406P10	10	10.5	9.7	5.6	4.5	MS2406P26	26	18.5	17.7	13.6	12.5	MS2406P42	42	26.5	25.7	21.6	20.5
MS2406P11	11	11.0	10.2	6.1	5.0	MS2406P27	27	19.0	18.2	14.1	13.0	MS2406P43	43	27.0	26.2	22.1	21.0
MS2406P12	12	11.5	10.7	6.6	5.5	MS2406P28	28	19.5	18.7	14.6	13.5	MS2406P44	44	27.5	26.7	22.6	21.5
MS2406P13	13	12.0	11.2	7.1	6.0	MS2406P29	29	20.0	19.2	15.1	14.0	MS2406P45	45	28.0	27.2	23.1	22.0
MS2406P14	14	12.5	11.7	7.6	6.5	MS2406P30	30	20.5	19.7	15.6	14.5	MS2406P46	46	28.5	27.7	23.6	22.5
MS2406P15	15	13.0	12.2	8.1	7.0	MS2406P31	31	21.0	20.2	16.1	15.0	MS2406P47	47	29.0	28.2	24.1	23.0
MS2406P16	16	13.5	12.7	8.6	7.5	MS2406P32	32	21.5	20.7	16.6	15.5	MS2406P48	48	29.5	28.7	24.6	23.5
MS2406P17	17	14.0	13.2	9.1	8.0	MS2406P33	33	22.0	21.2	17.1	16.0	MS2406P49	49	30.0	29.2	25.1	24.0
MS2406P18	18	14.5	13.7	9.6	8.5	MS2406P34	34	22.5	21.7	17.6	16.5	MS2406P50	50	30.5	29.7	25.6	24.5
MS2406P19	19	15.0	14.2	10.1	9.0	MS2406P35	35	23.0	22.2	18.1	17.0						

2406 FFC/FPC Connectors - SMT Type

CONNECTOR - Downward Contact

Part No.: MS2406P4~MS2406P60 RF:N

產品編號

Material: Housing: LCP 94V-0

材質

塑膠座

Contact Pin: Phos, Tin-plated

接觸針 黃銅 鍍錫

Reinforcement: Brass, Tin-plated

補強片 黃銅 鍍錫

Clamshell: LCP 94V-0, black

旋轉蓋 黑色

Applicable Wire: FPC: 0.3mm thick flat cable.

適用電線

Packing: 2,000PCS (Reel)

包裝數量

PERFORMANCE

Electrical Rating: AC/DC 50V 0.4A

額定電壓電流

Insulation Resistance: 500MΩ min.

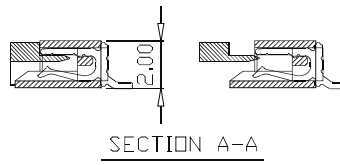
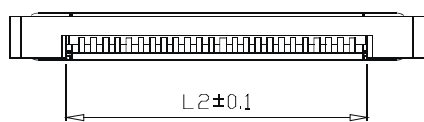
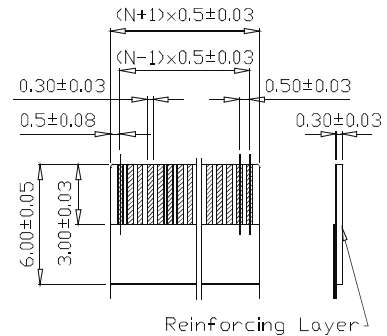
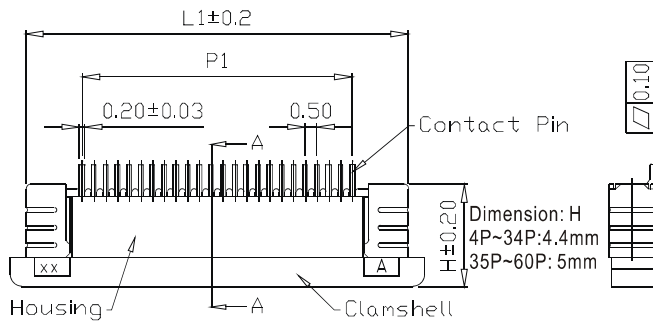
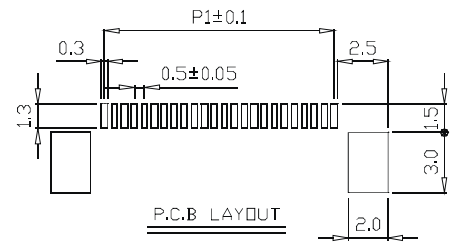
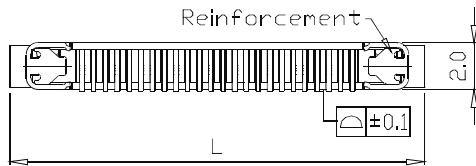
絕緣阻抗

Withstanding Voltage: 200V AC/minute

耐電壓

Temperature Range: -25°C~+85°C

適用溫度



TOLERANCE	
.X	±0.15
.XX	±0.05

Note: A reference letter "N" to be added after the original part numbers. E.g MS2406P4 N

Unit: mm

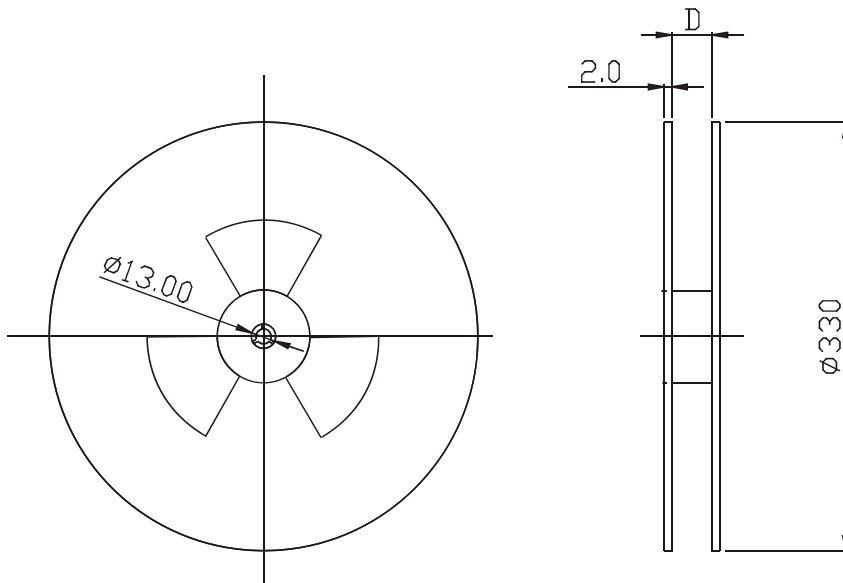
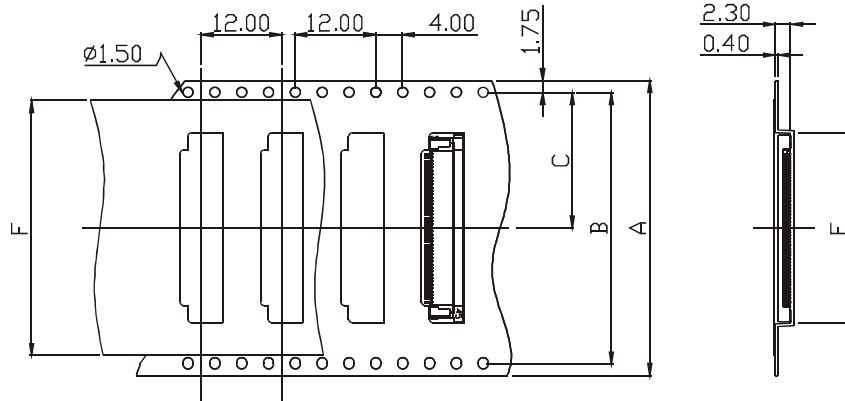
PartNo.	POS.	L	L1	L2	P1	PartNo.	POS.	L	L1	L2	P1	PartNo.	POS.	L	L1	L2	P1
MS2406P4	4	7.6	6.5	2.6	1.5	MS2406P23	23	17.1	16.0	12.1	11.0	MS2406P42	42	26.6	25.5	21.6	20.5
MS2406P5	5	8.1	7.0	3.1	2.0	MS2406P24	24	17.6	16.5	12.6	11.5	MS2406P43	43	27.1	26.0	22.1	21.0
MS2406P6	6	8.6	7.5	3.6	2.5	MS2406P25	25	18.1	17.0	13.1	12.0	MS2406P44	44	27.6	26.5	22.6	21.5
MS2406P7	7	9.1	8.0	4.1	3.0	MS2406P26	26	18.6	17.5	13.6	12.5	MS2406P45	45	28.1	27.0	23.1	22.0
MS2406P8	8	9.6	8.5	4.6	3.5	MS2406P27	27	19.1	18.0	14.1	13.0	MS2406P46	46	28.6	27.5	23.6	22.5
MS2406P9	9	10.1	9.0	5.1	4.0	MS2406P28	28	19.6	18.5	14.6	13.5	MS2406P47	47	29.1	28.0	24.1	23.0
MS2406P10	10	10.6	9.5	5.6	4.5	MS2406P29	29	20.1	19.0	15.1	14.0	MS2406P48	48	29.6	28.5	24.6	23.5
MS2406P11	11	11.1	10.0	6.1	5.0	MS2406P30	30	20.6	19.5	15.6	14.5	MS2406P49	49	30.1	29.0	25.1	24.0
MS2406P12	12	11.6	10.5	6.6	5.5	MS2406P31	31	21.1	20.0	16.1	15.0	MS2406P50	50	30.6	29.5	25.6	24.5
MS2406P13	13	12.1	11.0	7.1	6.0	MS2406P32	32	21.6	20.5	16.6	15.5	MS2406P51	51	31.1	30.0	26.1	25.0
MS2406P14	14	12.6	11.5	7.6	6.5	MS2406P33	33	22.1	21.0	17.1	16.0	MS2406P52	52	31.6	30.5	26.6	25.5
MS2406P15	15	13.1	12.0	8.1	7.0	MS2406P34	34	22.6	21.5	17.6	16.5	MS2406P53	53	32.1	31.0	27.1	26.0
MS2406P16	16	13.6	12.5	8.6	7.5	MS2406P35	35	23.1	22.0	18.1	17.0	MS2406P54	54	32.6	31.5	27.6	26.5
MS2406P17	17	14.1	13.0	9.1	8.0	MS2406P36	36	23.6	22.5	18.6	17.5	MS2406P55	55	33.1	32.1	28.1	27.0
MS2406P18	18	14.6	13.5	9.6	8.5	MS2406P37	37	24.1	23.0	19.1	18.0	MS2406P56	56	33.6	32.5	28.6	27.5
MS2406P19	19	15.1	14.0	10.1	9.0	MS2406P38	38	24.6	23.5	19.6	18.5	MS2406P57	57	34.1	33.1	29.1	28.0
MS2406P20	20	15.6	14.5	10.6	9.5	MS2406P39	39	25.1	24.0	20.1	19.0	MS2406P58	58	34.6	33.5	29.6	28.5
MS2406P21	21	16.1	15.0	11.1	10.0	MS2406P40	40	25.6	24.5	20.6	19.5	MS2406P59	59	35.1	34.1	30.1	29.0
MS2406P22	22	16.6	15.5	11.6	10.5	MS2406P41	41	26.1	25.0	21.1	20.0	MS2406P60	60	35.6	34.5	30.6	29.5

2406 FFC/FPC Connectors - SMT Type

Embossed Carrier Tape Dimensional Drawing

MS2406P Series

0.5mm



Unit: mm

POS.	A	B	C	D	E	F
15	24.00		11.50	24.40	13.30	21.50
20	24.00		11.50	24.40	15.80	25.50
30	32.00	28.40	14.20	32.40	20.80	25.50
35	44.00	40.40	20.20	44.40	23.30	37.50
45	44.00	40.40	20.20	44.40	28.30	37.50
50	44.00	40.40	20.20	44.40	30.80	37.50