

# 2407-MSAKS



Pitch 1.0mm Wire to Board Connectors - SMT Type



## PERFORMANCE

Electrical Rating: AC/DC 30V 1A  
 額定電壓電流  
 Insulation Resistance: 100MΩ min.  
 絕緣阻抗  
 Withstanding Voltage: 500V AC/minute  
 耐電壓  
 Temperature Range: -40°C ~ +85°C  
 適用溫度

1.0mm



## CONNECTOR - Stronge Type

Part No.: MSAKS2407P30

產品編號

MSAKS2407P30 RF:H

Material: Housing: Nylon 94V-0, Black

材質 塑膠座

Contact Pin: P.B, Gold-flash

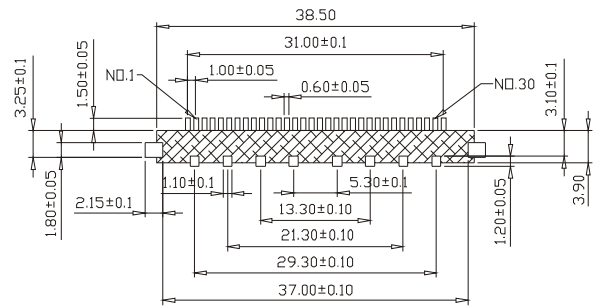
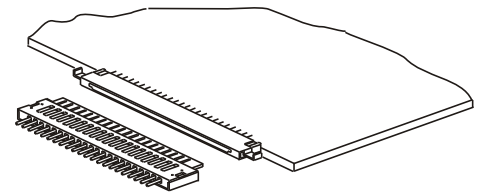
接觸針 磷青銅, 鍍金

Reinforcement: Stainless Steel

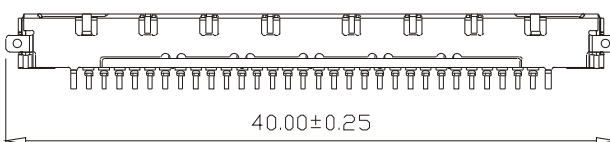
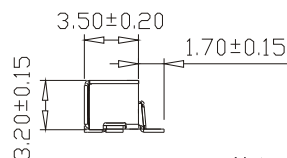
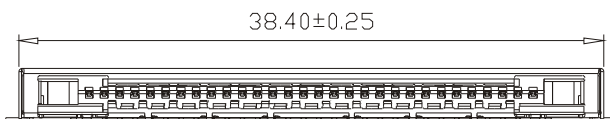
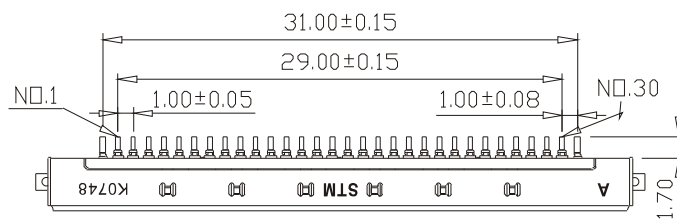
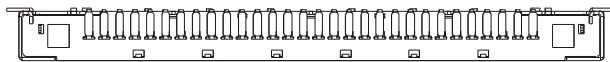
補強片 不銹鋼

Packing: 1,400pcs/reel

包裝數量



P.C.B LAYOUT



### Notes

Item	Description
Suitable Terminal 配合端子	2407PS-00
Suitable Housing 配合塑膠	PS2407P30 PKS2407P30
Suitable Wire 適用電線	AWG#30~32

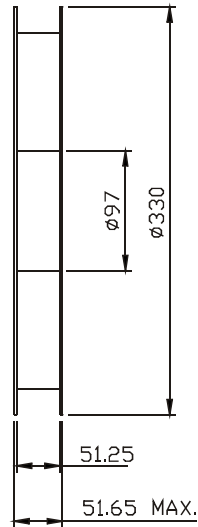
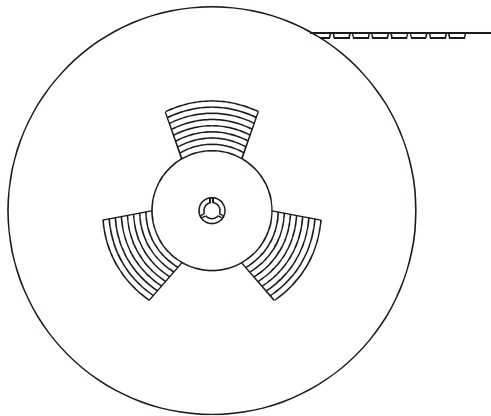
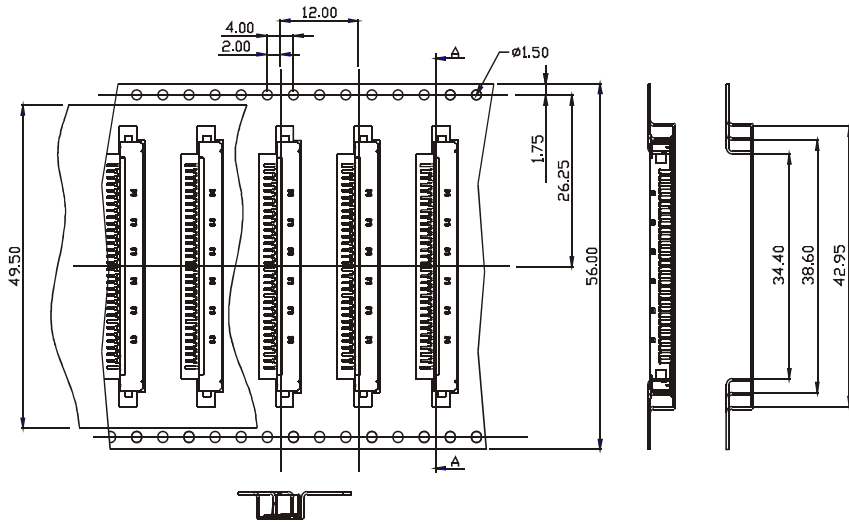
Behave in conformity with continual product development policy, Sin Sheng (STM) reserves the right of specification changing of contents described in this catalogue at any time and without prior notice. Please contact the sales department nearby for most updated information.  
 由於產品持續開發的政策, 信盛(STM)保留隨時變更本目錄所述之規格且不需提前通知的權利, 請建繁業務處查詢最新的產品資訊。

# 2407-MSAKS Wire to Board Connectors-SMT Type

## Embossed Carrier Tape Dimensional Drawing

MSAKS2407P30

1.0mm



# 2407-MSAKS Wire to Board Connectors

1.0mm

## HOUSING - LOCK Type

Part No.: **PKS2407P30**

產品編號

Material: Housing: Nylon 94V-0

材質 塑膠座

Reinforcement: Stainless Steel

補強片 不銹鋼

Suitable Contact: 2407PS-00

配合端子

Suitable Connector: MSAKS2407P30

配合公座

Applicable Wire: FFC Flat Cables

適用電線

Packing: 50pcs/tray

包裝數量

## PERFORMANCE

Electrical Rating: AC/DC 30V 1A

額定電壓電流

Insulation Resistance: 100MΩ min.

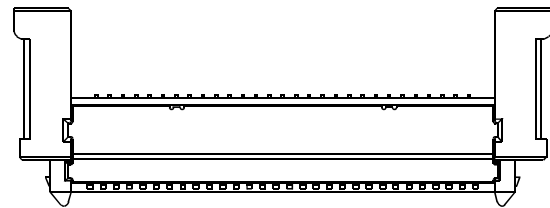
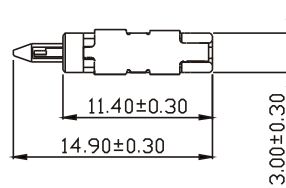
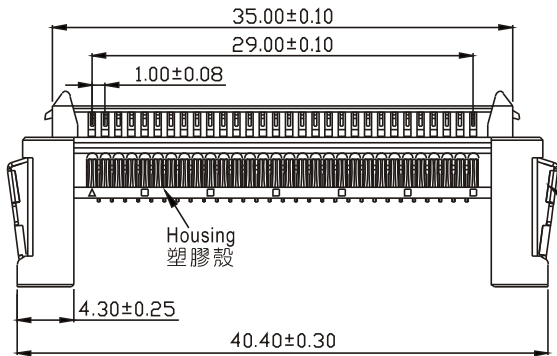
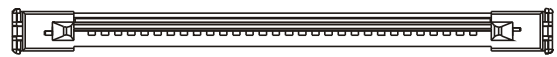
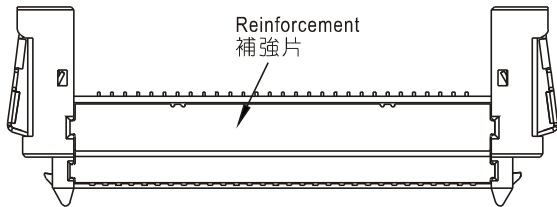
絕緣阻抗

Withstanding Voltage: 500V AC/minute

耐電壓

Temperature Range: -40°C~+85°C

適用溫度



## HOUSING

Part No.: **PS2407P30**

產品編號

Material: Housing: Nylon 94V-0

材質 塑膠座

Reinforcement: Stainless Steel

補強片 不銹鋼

Suitable Contact: 2407PS-00

配合端子

Suitable Connector: MSAKS2407P30

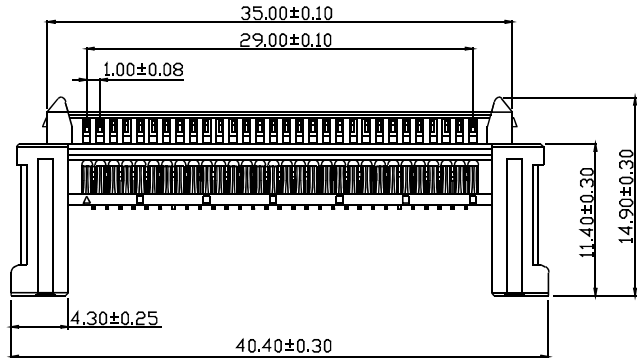
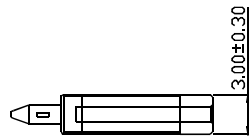
配合公座

Applicable Wire: FFC Flat Cables

適用電線

Packing: 50PCS (Tray)

包裝數量



# 2407-MSAKS Wire to Board Connectors

## TERMINAL

Part No.: **2407PS-00**

產品編號

Thickness: 0.15mm

銅板厚度

Material: Phosphor Bronze

材質 磷青銅

Surface Treatment: Gold-flash

表面處理 鍍金

Applicable Wire: AWG# 30~32 AWG#36

適用電線

Insulation O.D.: 0.8mm Max.

線皮外徑

Suitable Housing: P2407P30 PK2407P30

配合塑膠

PKS2407P30 PKF2407P30

PS2407P30 PF2407P30

Packing: 20,000pcs/reel

包裝數量

## PERFORMANCE

Electrical Rating: AC/DC 30V 1A

額定電壓電流

Insulation Resistance: 100MΩ min.

絕緣阻抗

Withstanding Voltage: 500V AC/minute

耐電壓

Temperature Range: -40°C~+85°C

適用溫度



1.0mm

