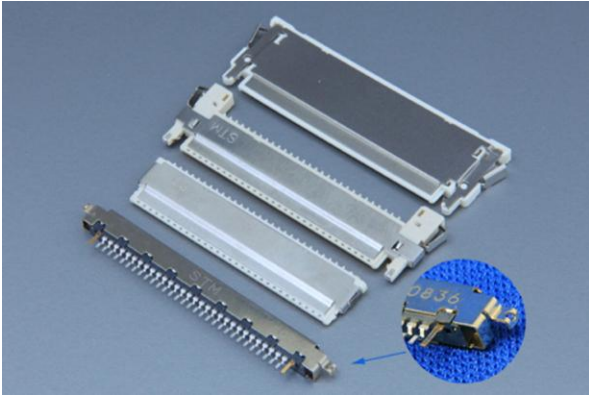


2407-MSCKT



Pitch 1.0mm Wire to Board Connectors - SMT Type



PERFORMANCE

Electrical Rating: AC/DC 30V 1A
 額定電壓電流
 Insulation Resistance: 100MΩ min.
 絕緣阻抗
 Withstanding Voltage: 500V AC/minute
 耐電壓
 Temperature Range: -40°C~+85°C
 適用溫度



1.0mm

CONNECTOR

Reinforce - Through Board - Reverse

Part No.: MSCKT2407P30 RF:HB

產品編號

Material: Housing: LCP 94V-0

材質 塑膠座

Contact Pin: P.B, Gold-plated

接觸針 磷青銅, 鍍金

Shell: Stainless Steel

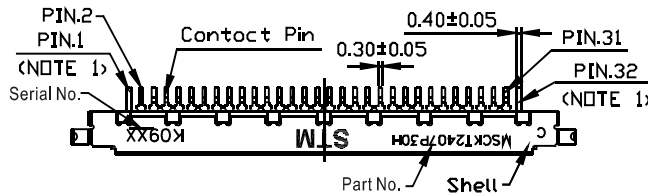
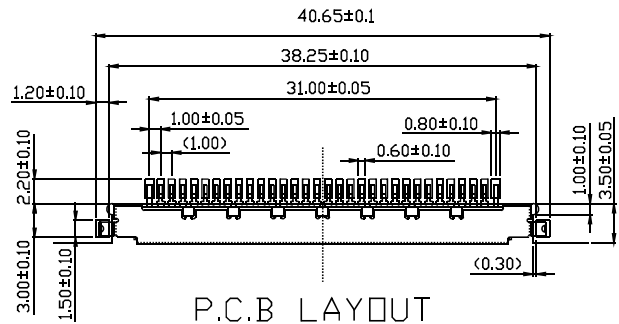
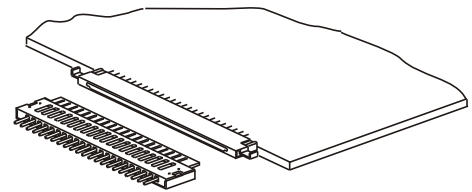
補強片 不銹鋼

Ground Pin: Gold-plated

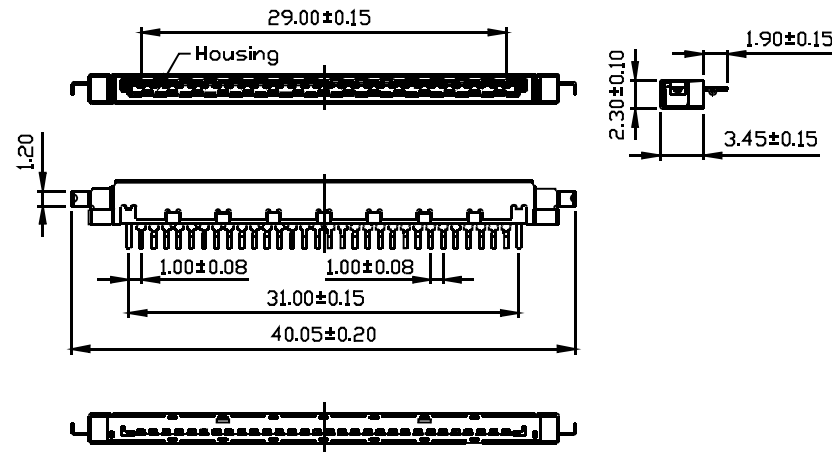
接地針 鍍金

Packing: 2,000pcs/reel

包裝數量



Note 1: No.1 and No.32 are appropriate for ground contacts.
 第1和第32是接地專用腳位



TOLERANCE	
.0	±0.25
.00	±0.15
.000	±0.05

Notes 2:

Item	Description
Suitable Terminal 配合端子	2407PS-00
Suitable Housing 配合塑膠	P2407P30 PK2407P30 PF2407P30 PKF2407P30 PKFT2407P30
Suitable Wire 適用電線	AWG#30~32

Note 3: The coplanarity of contact pins with Grounding of the metal shell must be under 0.10mm.)
 PIN與外殼接地片的共面度必須在0.10mm以下。

Behave in conformity with continual product development policy, Sin Sheng (STM) reserves the right of specification changing of contents described in this catalogue at any time and without prior notice. Please contact the sales department nearby for most updated information.
 由於產品持續開發的政策, 信盛(STM)保留隨時變更本目錄所述之規格且不需提前通知的權利, 請建繁業務處查詢最新的產品資訊。

2407-MSCKT



Pitch 1.0mm Wire to Board Connectors - SMT Type

CONNECTOR

Reinforce - Through Board - Reverse

Part No.: **MSCKT2407P30 RF:H**

產品編號

Material: Housing: LCP 94V-0

材質 塑膠座

Contact Pin: P.B, Gold-plated

接觸針 磷青銅, 鍍金

Shell: Stainless Steel

補強片 不銹鋼

Ground Pin: Gold-plated

接地針 鍍金

Packing: 2,000pcs/reel

包裝數量

PERFORMANCE

Electrical Rating: AC/DC 30V 1A

額定電壓電流

Insulation Resistance: 100MΩ min.

絕緣阻抗

Withstanding Voltage: 500V AC/minute

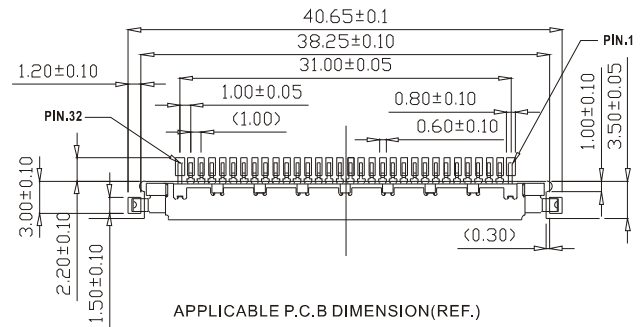
耐電壓

Temperature Range: -40°C ~ +85°C

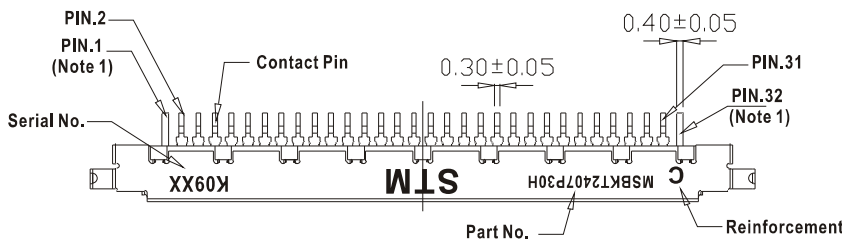
適用溫度



1.0mm

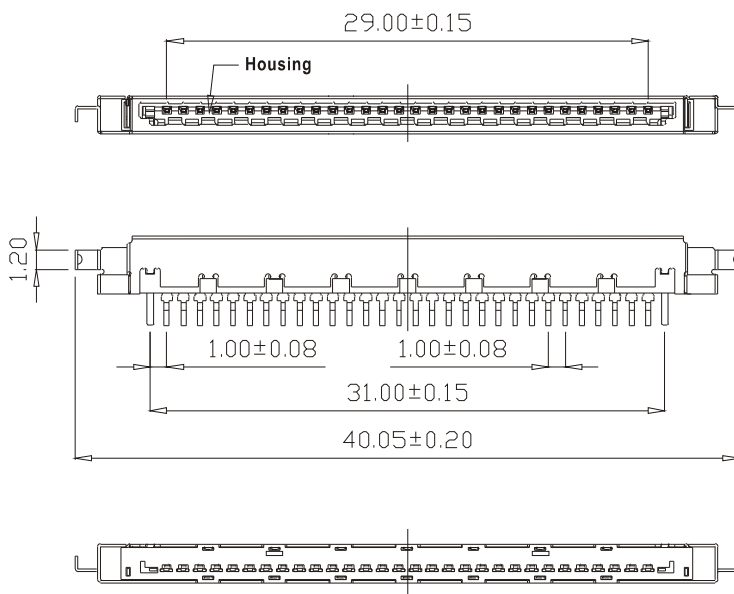


APPLICABLE P.C.B DIMENSION(REF.)



Note 1: No.1 and No.32 are appropriate for ground contacts.

第1和第32是接地專用腳位



TOLERANCE	
.0	±0.25
.00	±0.15
.000	±0.05

Notes 2:

Item	Description
Suitable Terminal 配合端子	2407PS-00
Suitable Housing 配合塑膠	P2407P30 PK2407P30 PF2407P30 PKF2407P30 PKFT2407P30
Suitable Wire 適用電線	AWG#30~32

Note 3: The coplanarity of contact pins with Grounding of the metal shell must be under 0.10mm.)
PIN與外殼接地片的共面度必須在0.10mm以下。

2407-MSCKT



Pitch 1.0mm Wire to Board Connectors - SMT Type

CONNECTOR

Reinforce - Through Board - Reverse

Part No.: MSCKT2407P30 RF:B

產品編號

Material: Housing: Nylon 94V-0

材質 塑膠座

Contact Pin: P.B, Gold-plated

接觸針 磷青銅, 鍍金

Shell: Stainless Steel

補強片 不銹鋼

Ground Pin: Gold-plated

接地針 鍍金

Packing: 2,000pcs/reel

包裝數量

PERFORMANCE

Electrical Rating: AC/DC 30V 1A

額定電壓電流

Insulation Resistance: 100MΩ min.

絕緣阻抗

Withstanding Voltage: 500V AC/minute

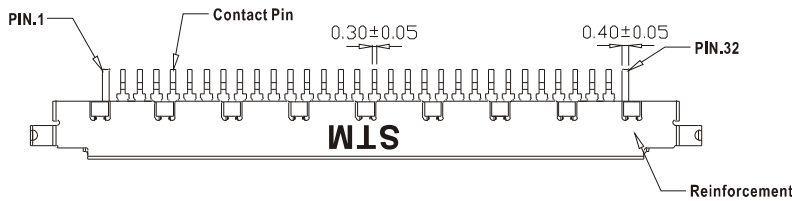
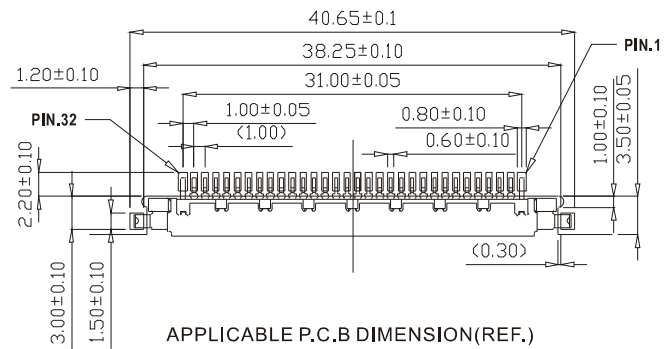
耐電壓

Temperature Range: -40°C ~ +85°C

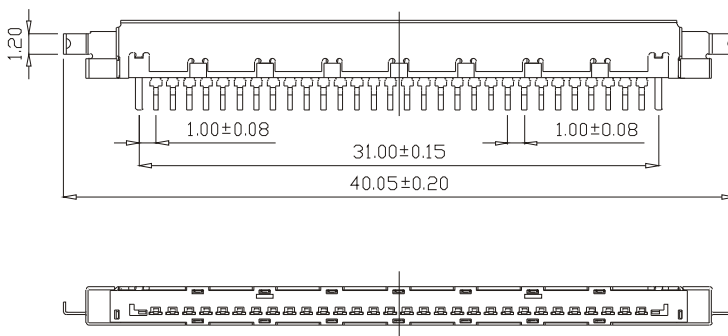
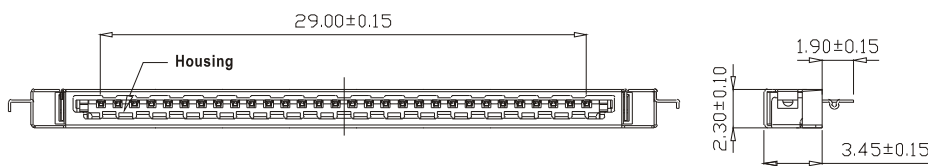
適用溫度



1.0mm



Note 1: No.1 and No.32 are appropriate for ground contacts.
第1和第32是接地專用腳位



TOLERANCE	
.0	±0.25
.00	±0.15
.000	±0.05

Notes 2:

Item	Description
Suitable Terminal 配合端子	2407PS-00
Suitable Housing 配合塑膠	P2407P30 PK2407P30 PF2407P30 PKF2407P30 PKFT2407P30
Suitable Wire 適用電線	AWG#30~32

Note 3: The coplanarity of contact pins with Grounding of the metal shell must be under 0.10mm.)
PIN與外殼接地片的共面度必須在0.10mm以下。

2407-MSCKT Wire to Board Connectors-SMT Type

Embossed Carrier Tape Dimensional Drawing

Applicable for the following parts:

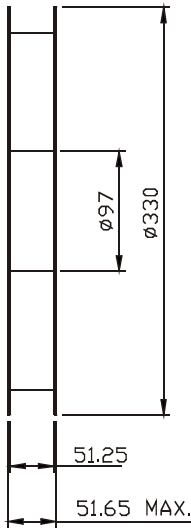
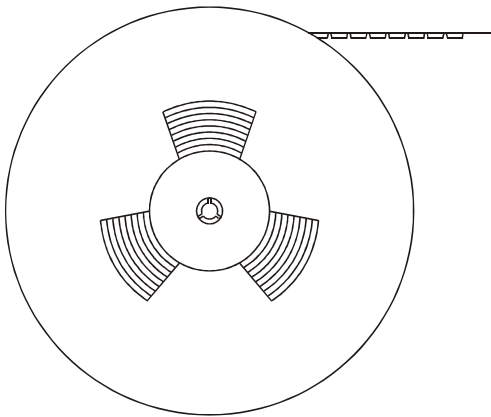
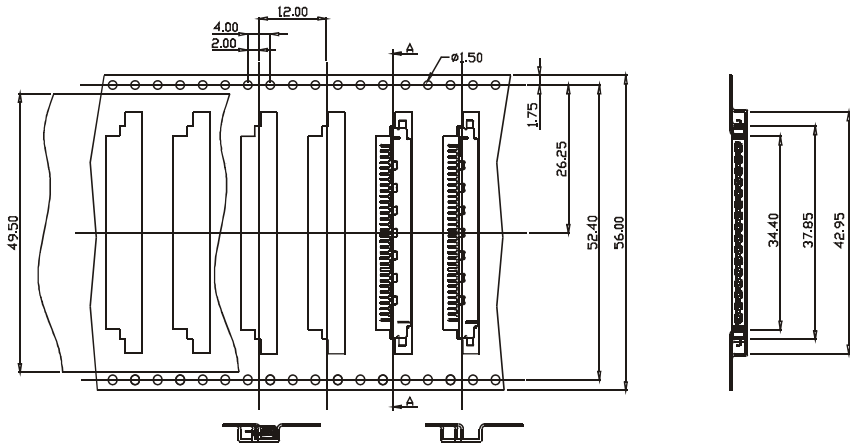
MSAKT2407P30; MSAKT2407P30 RF:HA; MSAKT2407P30 RF:B; MSAKT2407P30 RF:H

MSBKT2407P30; MSBKT2407P30 RF:HB; MSBKT2407P30 RF:HA; MSBKT2407P30 RF:H

MSBKT2407P30 RF:B

MSCKT2407P30; MSCKT2407P30 RF:HB; MSCKT2407P30 RF:B

1.0mm



2407-MSCKT Wire to Board Connectors

HOUSING

Part No.: **P2407P30. P2407P30 RF:A**

產品編號

Material: Housing: Nylon 94V-0

材質 塑膠體

Shell: Stainless Steel

鐵殼 不銹鋼

Reinforcement: Stainless Steel

補強片 不銹鋼

Lock: Stainless Steel

卡勾 不銹鋼

Suitable Contact: 2407PS-00

配合端子

PERFORMANCE

Electrical Rating: AC/DC 30V 1A

額定電壓電流

Insulation Resistance: 100MΩ min.

絕緣阻抗

Withstanding Voltage: 500V AC/minute

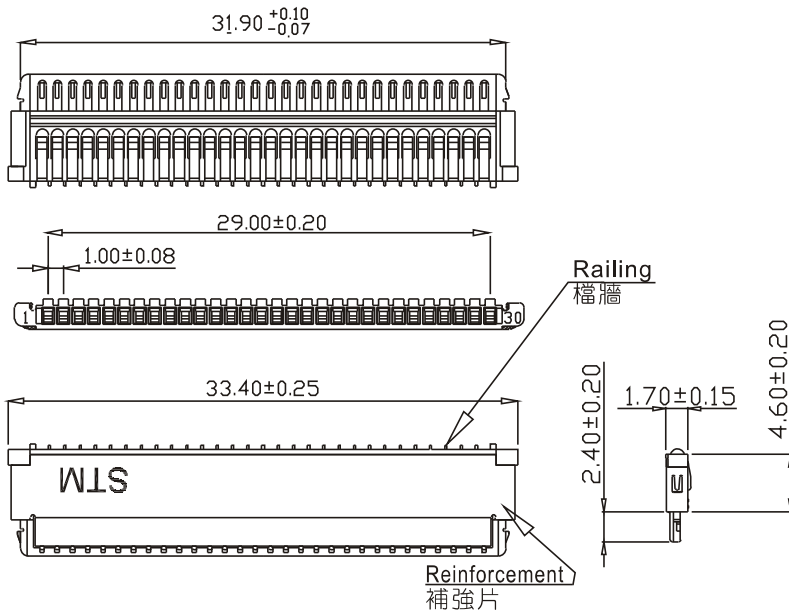
耐電壓

Temperature Range: -40°C~+85°C

適用溫度



1.0mm

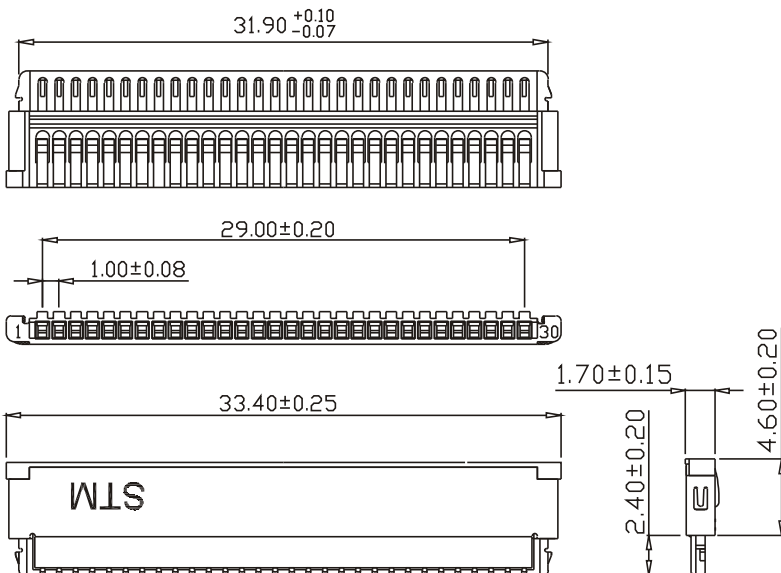


Notes

Part No.	RF	Suitable Connector	Tray
P2407P30	· B	MSBK2407P30	200
P2407P30		MSAKT2407P30	
		MSBKT2407P30	
		MSCKT2407P30	
		MSCK2407P30	

Part No.: **P2407P30 RF:B**

Type of housing without railing



2407-MSCKT Wire to Board Connectors

HOUSING

Part No.: P2407P30 RF:B

產品編號

Material: Housing: Nylon 94V-0

材質 塑膠體

Shell: Stainless Steel

鐵殼 不銹鋼

Reinforcement: Stainless Steel

補強片 不銹鋼

Lock: Stainless Steel

卡勾 不銹鋼

Suitable Contact: 2407PS-00

配合端子

PERFORMANCE

Electrical Rating: AC/DC 30V 1A

額定電壓電流

Insulation Resistance: 100MΩ min.

絕緣阻抗

Withstanding Voltage: 500V AC/minute

耐電壓

Temperature Range: -40°C~+85°C

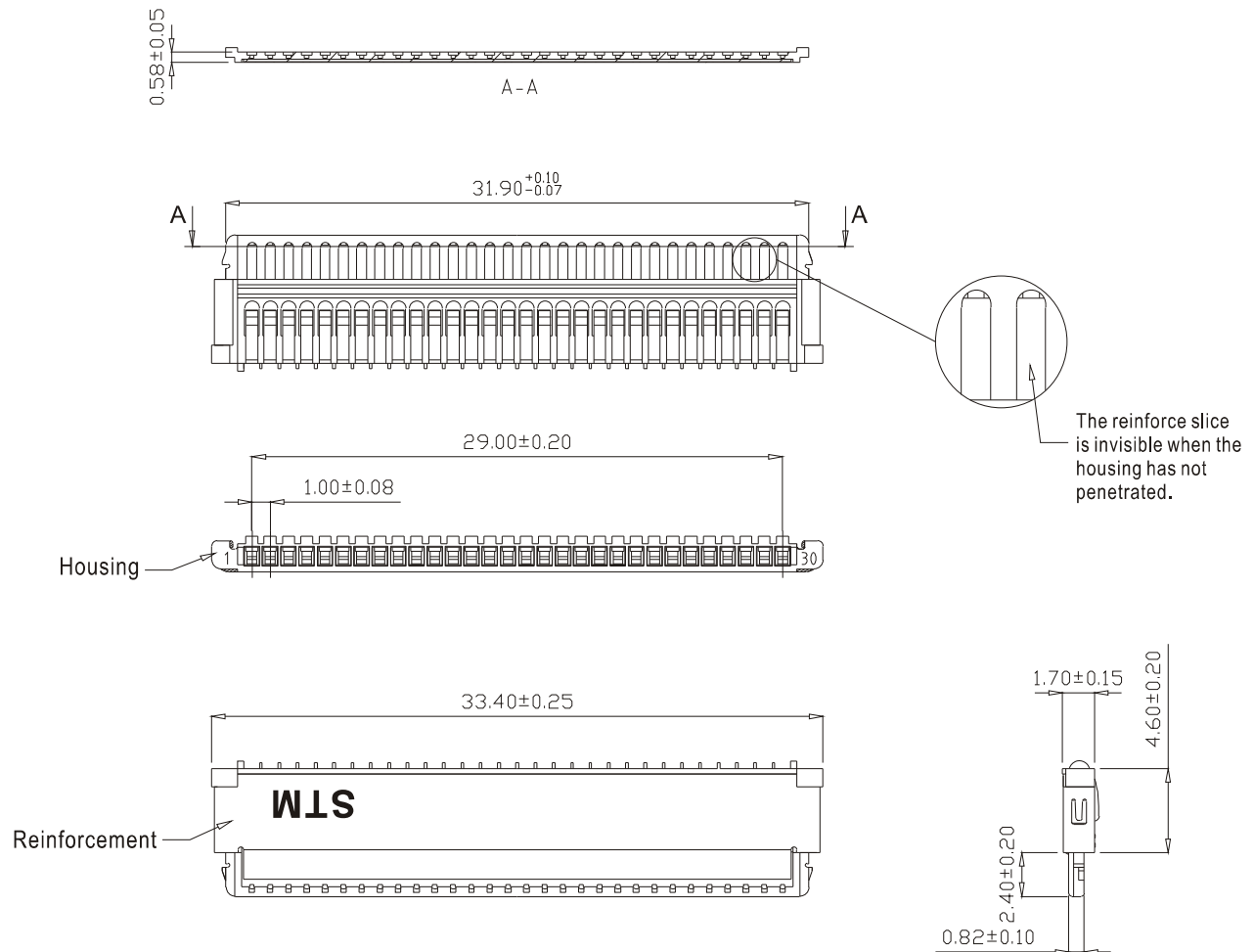
適用溫度



1.0mm

Notes

Part No.	RF	Suitable Connector	Tray
P2407P30	B	MSBK2407P30 MSAKT2407P30 MSBKT2407P30 MSCKT2407P30 MSCK2407P30	200



2407-MSCKT Wire to Board Connectors



HOUSING - LOCK type

Part No.: PK2407P30.

產品編號

Material: Housing: Nylon 94V-0

材質 塑膠体

Shell: Stainless Steel

鐵殼 不銹鋼

Reinforcement: Stainless Steel

補強片 不銹鋼

Lock: Stainless Steel

卡勾 不銹鋼

Suitable Contact: 2407PS-00

配合端子

PERFORMANCE

Electrical Rating: AC/DC 30V 1A

額定電壓電流

Insulation Resistance: 100MΩ min.

絕緣阻抗

Withstanding Voltage: 500V AC/minute

耐電壓

Temperature Range: -40°C~+85°C

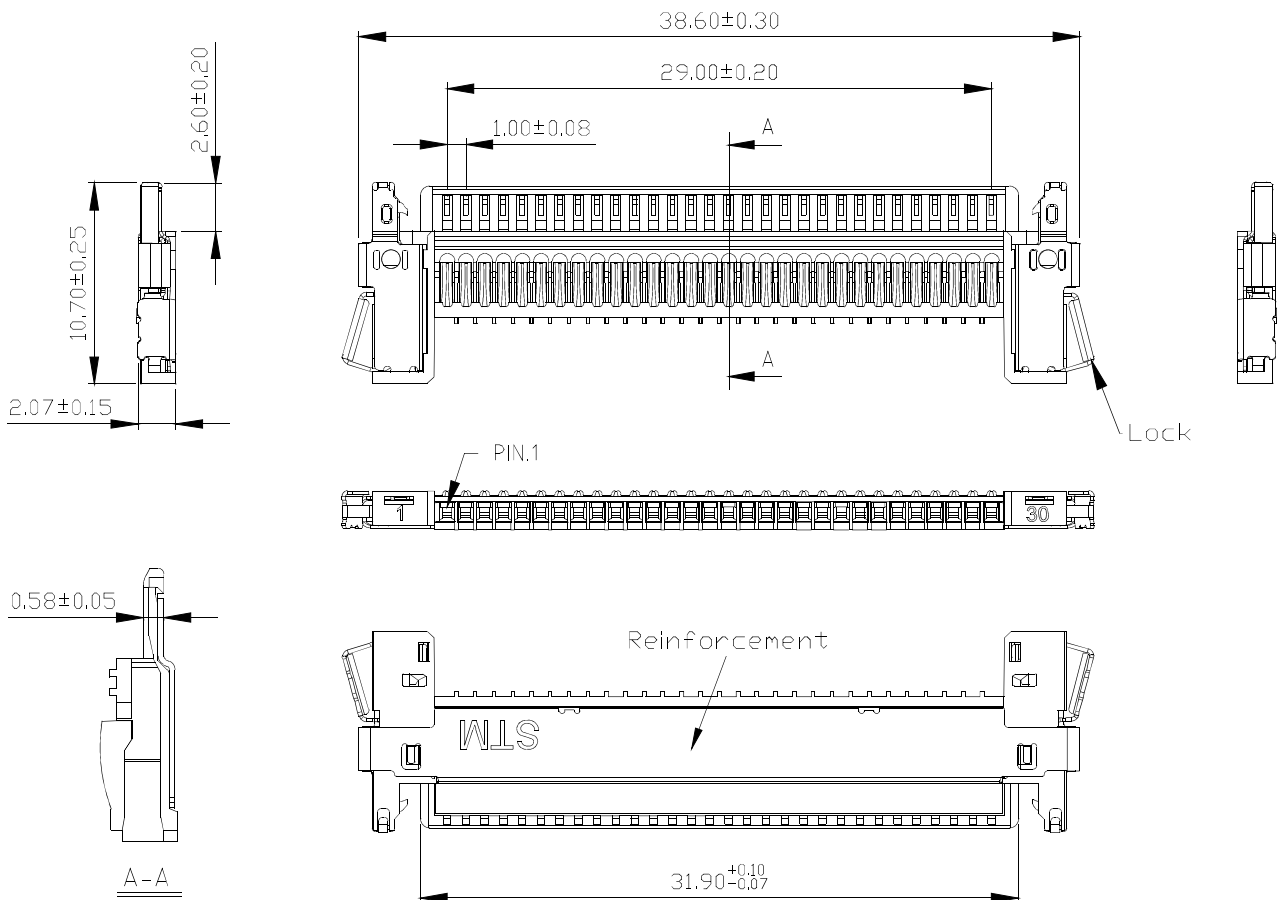
適用溫度



1.0mm

Notes

Part No.	RF	Suitable Connector	Tray
PK2407P30	.	MSBK2407P30 MSAKT2407P30 MSBKT2407P30 MSCKT2407P30 MSCK2407P30	50



2407-MSCKT Wire to Board Connectors

HOUSING - LOCK type

Part No.: PK2407P30 RF:K

產品編號

Material: Housing: Nylon 94V-0

材質 塑膠體

Shell: Stainless Steel

鐵殼 不銹鋼

Reinforcement: Stainless Steel

補強片 不銹鋼

Lock: Stainless Steel

卡勾 不銹鋼

Suitable Contact: 2407PS-00

配合端子

PERFORMANCE

Electrical Rating: AC/DC 30V 1A

額定電壓電流

Insulation Resistance: 100MΩ min.

絕緣阻抗

Withstanding Voltage: 500V AC/minute

耐電壓

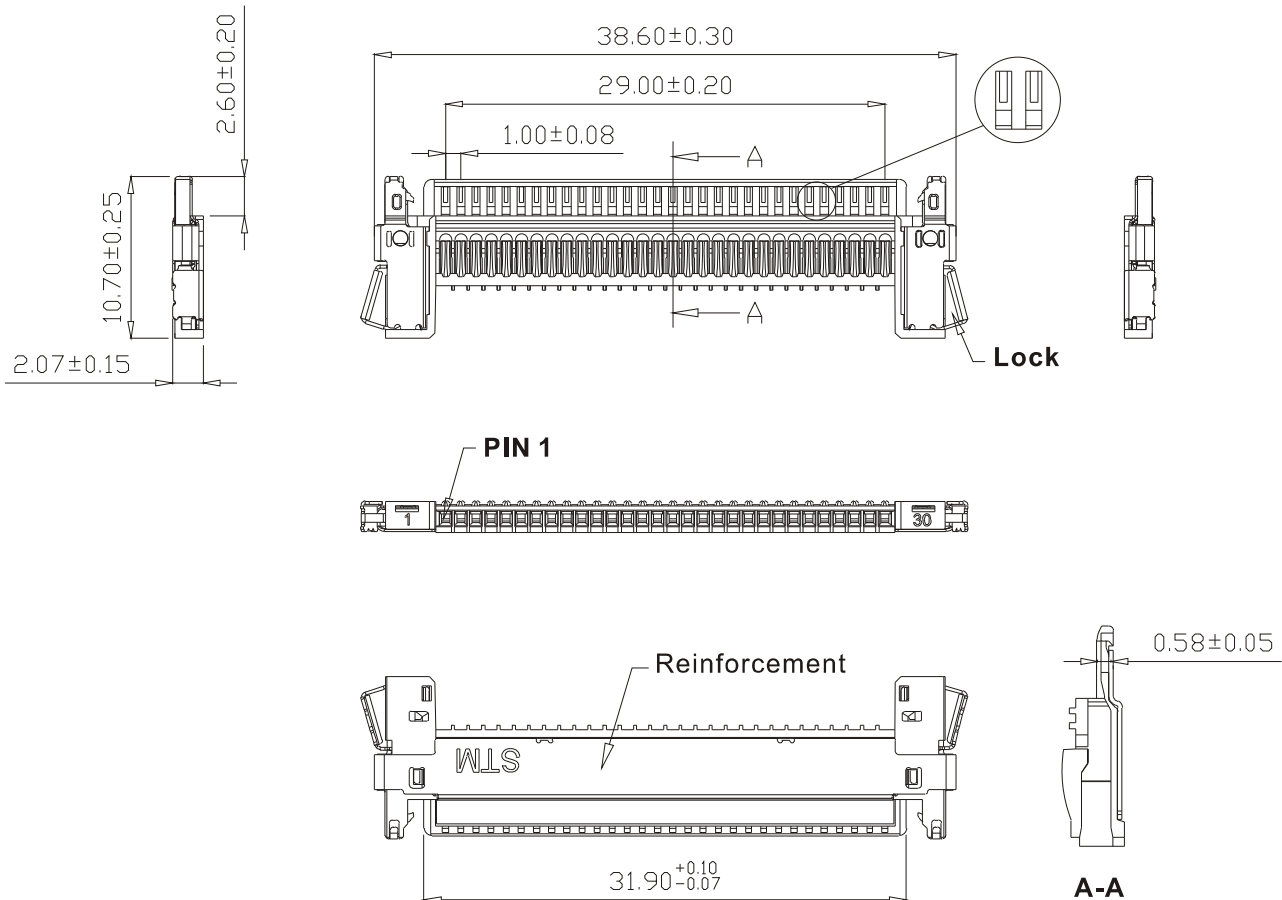
Temperature Range: -40°C~+85°C

適用溫度



Notes

Part No.	RF	Suitable Connector	Tray
PK2407P30	K	MSBK2407P30 MSAKT2407P30 MSBKT2407P30 MSCKT2407P30 MSCK2407P30	50



1.0mm

2407-MSCKT Wire to Board Connectors

HOUSING - LOCK type - Low I.F

Part No.: PK2407P30 RF:Q

產品編號

Material: Housing: Nylon 94V-0

材質 塑膠體

Shell: Stainless Steel

鐵殼 不銹鋼

Reinforcement: Stainless Steel

補強片 不銹鋼

Lock: Stainless Steel

卡勾 不銹鋼

Suitable Contact: 2407PS-00

配合端子

PERFORMANCE

Electrical Rating: AC/DC 30V 1A

額定電壓電流

Insulation Resistance: 100MΩ min.

絕緣阻抗

Withstanding Voltage: 500V AC/minute

耐電壓

Temperature Range: -40°C~+85°C

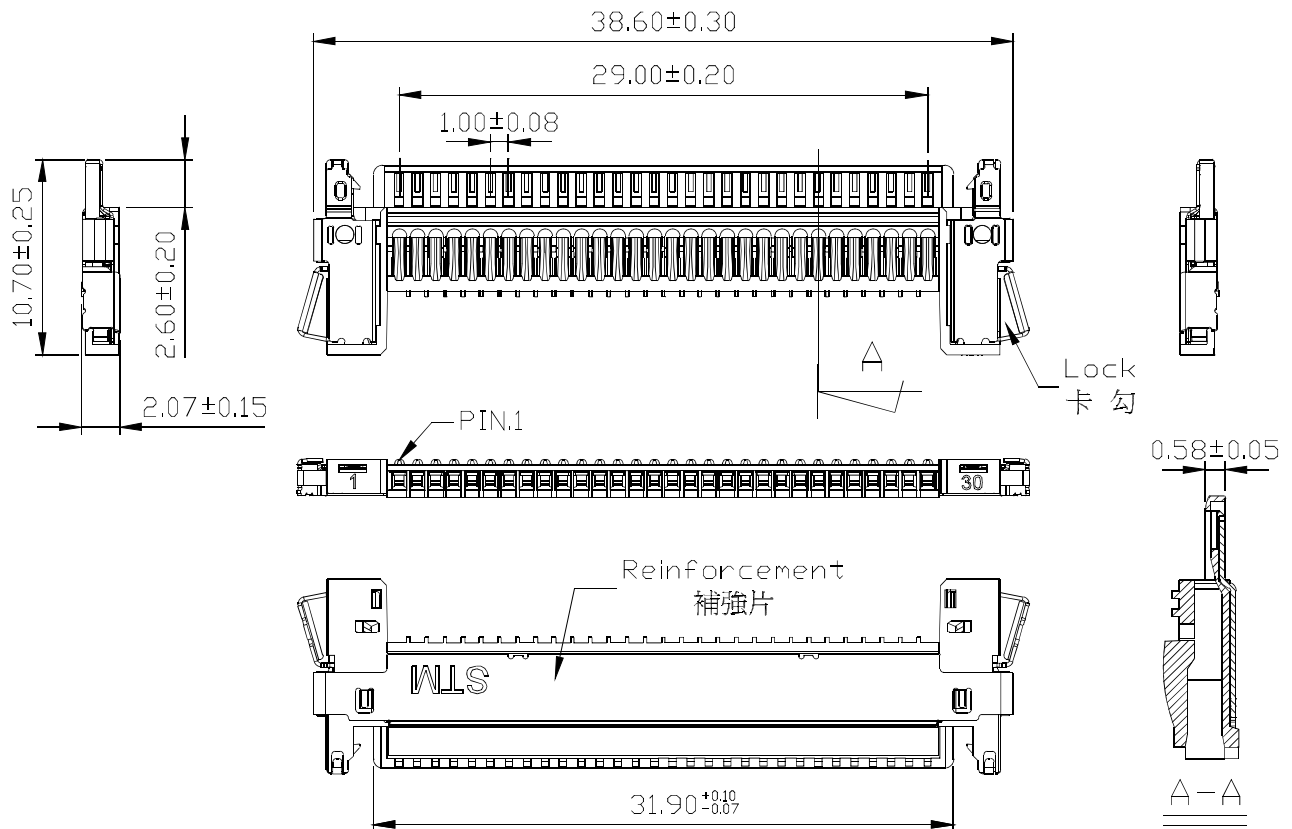
適用溫度



1.0mm

Notes

Part No.	RF	Suitable Connector	Tray
PK2407P30	Q	MSBK2407P30 MSAKT2407P30 MSBKT2407P30 MSCKT2407P30 MSCK2407P30	50



2407-MSCKT Wire to Board Connectors

HOUSING - LOCK type

Part No.: PK2407P30 RF:S

產品編號

Material: Housing: Nylon 94V-HB

材質 塑膠体

Shell: Stainless Steel

鐵殼 不銹鋼

Reinforcement: Stainless Steel

補強片 不銹鋼

Lock: Stainless Steel

卡勾 不銹鋼

Suitable Contact: 2407PS-00

配合端子

PERFORMANCE

Electrical Rating: AC/DC 30V 1A

額定電壓電流

Insulation Resistance: 100MΩ min.

絕緣阻抗

Withstanding Voltage: 500V AC/minute

耐電壓

Temperature Range: -40°C~+85°C

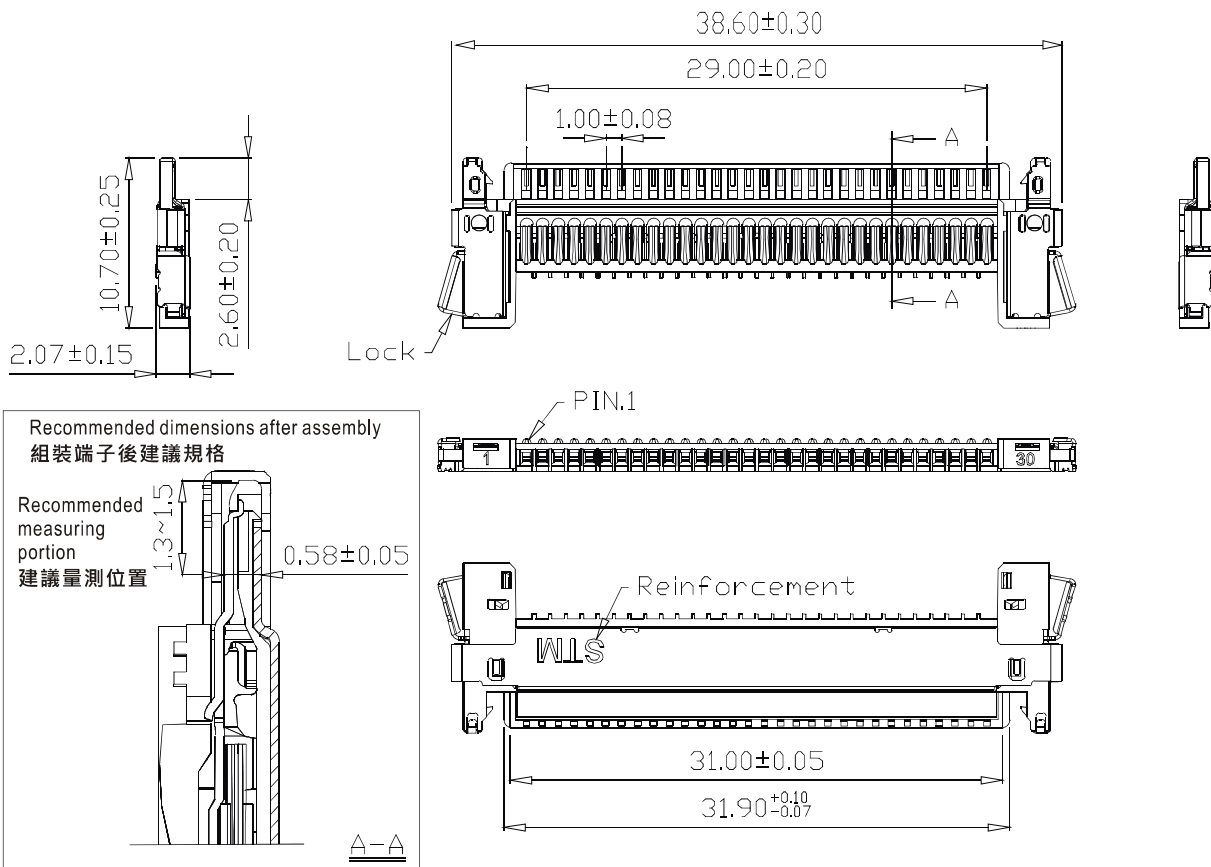
適用溫度



1.0mm

Notes

Part No.	RF	Suitable Connector	Tray
PK2407P30	S	MSBK2407P30 MSAKT2407P30 MSBKT2407P30 MSCKT2407P30 MSCK2407P30	50



2407-MSCKT Wire to Board Connectors

HOUSING - LOCK type

Part No.: PK2407P30 RF:U

產品編號

Material: Housing: Nylon 94V-0

材質 塑膠體

Shell: Stainless Steel

鐵殼 不銹鋼

Reinforcement: Stainless Steel, Tin-plated

補強片 不銹鋼

Lock: Stainless Steel

卡勾 不銹鋼

Suitable Contact: 2407PS-00

配合端子

PERFORMANCE

Electrical Rating: AC/DC 30V 1A

額定電壓電流

Insulation Resistance: 100MΩ min.

絕緣阻抗

Withstanding Voltage: 500V AC/minute

耐電壓

Temperature Range: -40°C~+85°C

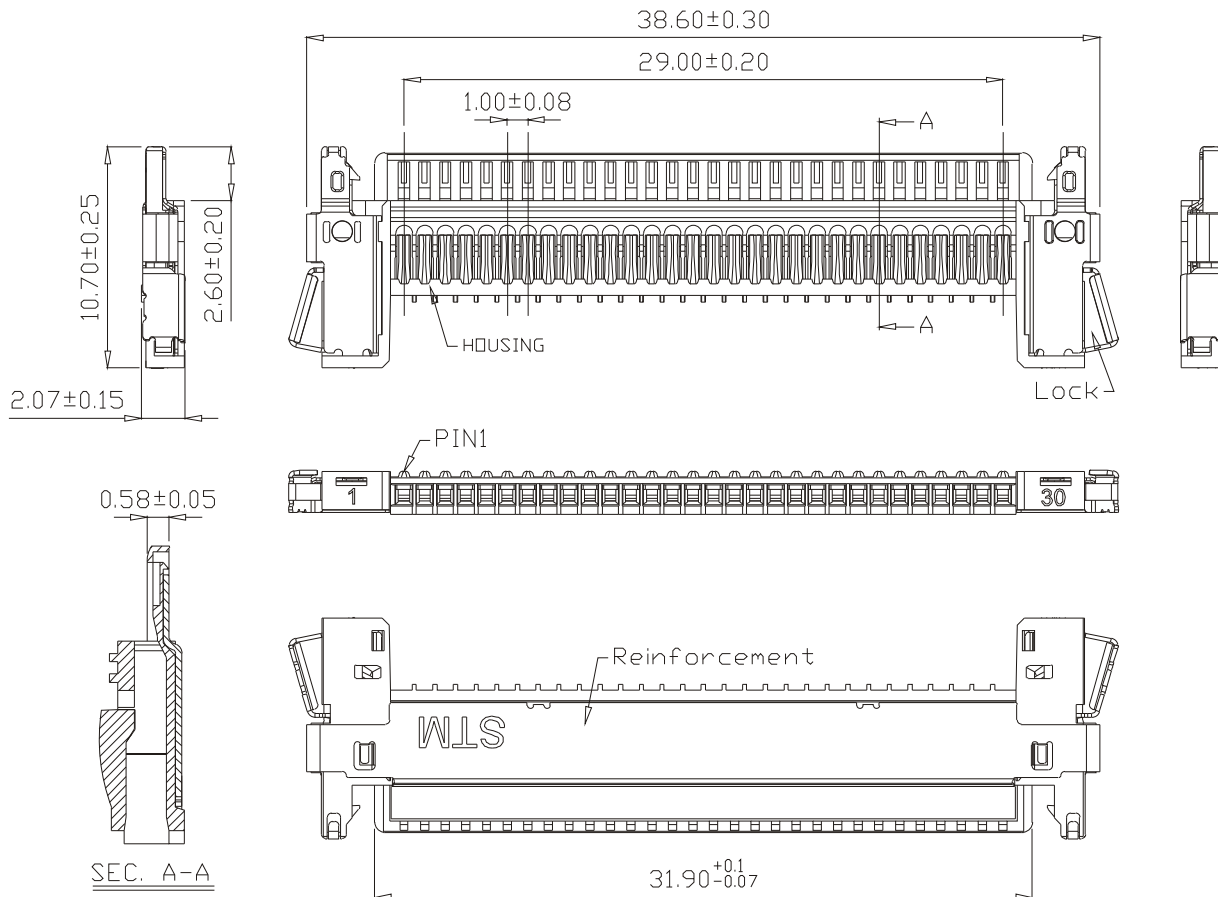
適用溫度



1.0mm

Notes

Part No.	RF	Suitable Connector	Tray
PK2407P30	U	MSBK2407P30 MSAKT2407P30 MSBKT2407P30 MSCKT2407P30 MSCK2407P30	50



2407-MSCKT Wire to Board Connectors

HOUSING

Part No.: PF2407P30 PKF2407P30

產品編號

Material: Housing: Nylon 94V-0

材質 塑膠座

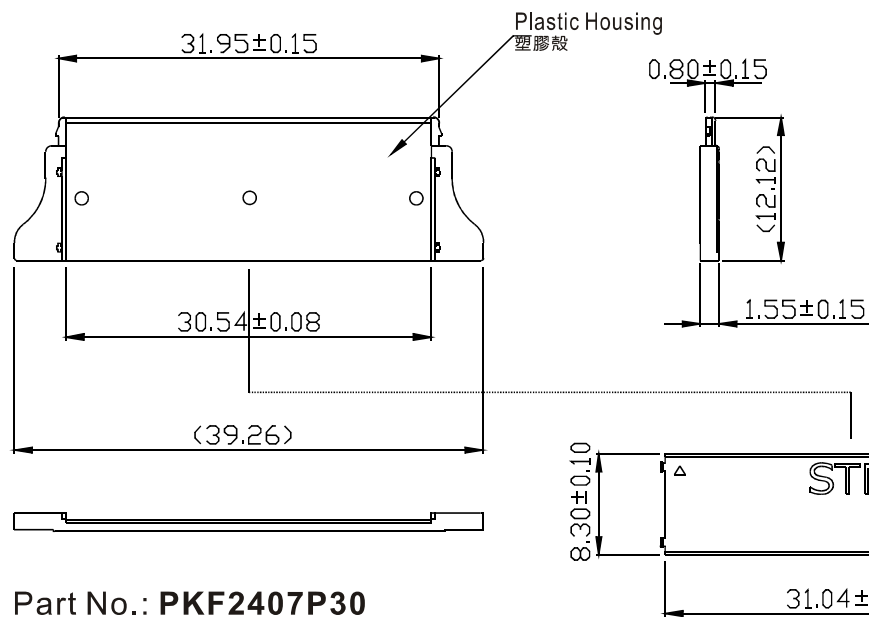
Reinforcement: Stainless Steel

補強片 不銹鋼

Packing: 250pcs/box

包裝數量

Part No.: PF2407P30



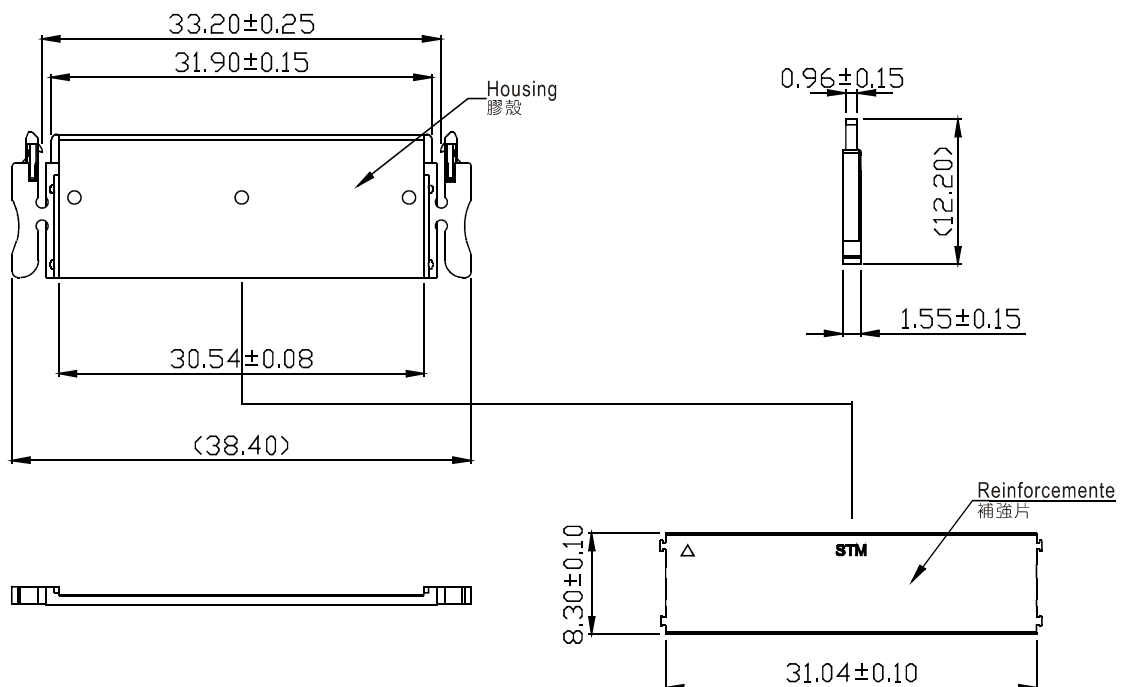
Notes

Item	Description
Suitable Housing 配合塑膠	MSAKT2407P30 MSBKT2407P30 MSCKT2407P30 MSCK2407P30
Suitable Wire 適用電線	FFC Flat Cables



Part No.: PKF2407P30

Lock Type



1.0mm

2407-MSCKT Wire to Board Connectors

HOUSING - Lock Type

Part No.: PKFT2407P30

產品編號

Material: Housing: Nylon 94V-0

材質 塑膠座

Reinforcement: Stainless Steel

補強片 不銹鋼

Packing: 250pcs/box

包裝數量

PERFORMANCE

Electrical Rating: AC/DC 30V 1A

額定電壓電流

Insulation Resistance: 100MΩ min.

絕緣阻抗

Withstanding Voltage: 500V AC/minute

耐電壓

Temperature Range: -40°C~+85°C

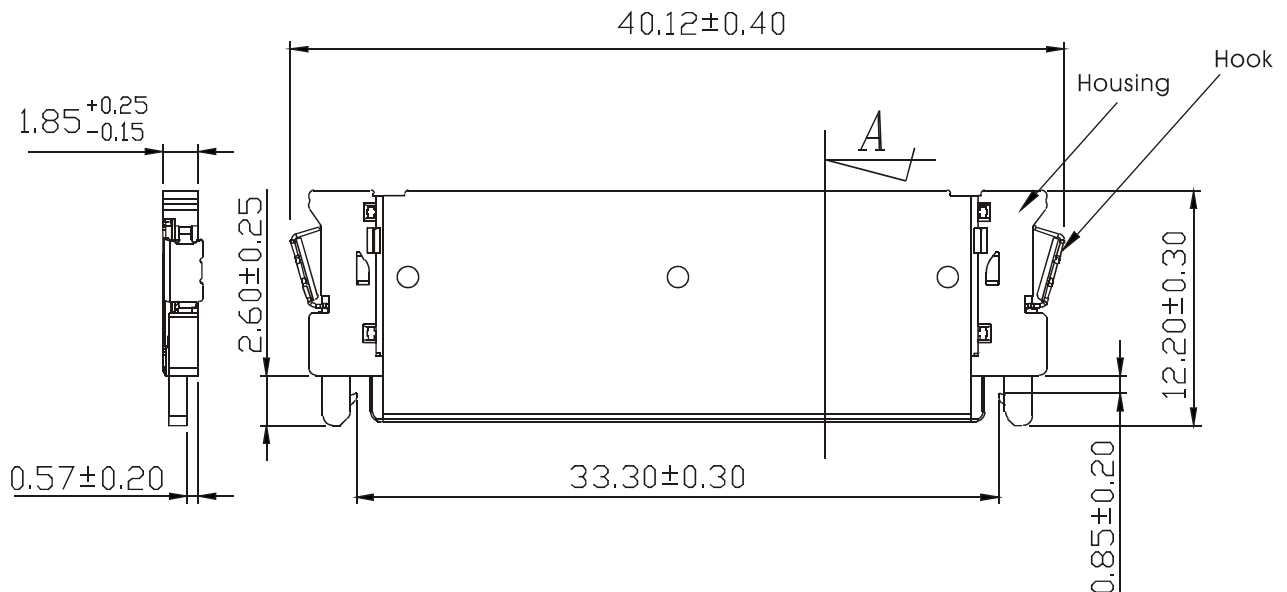
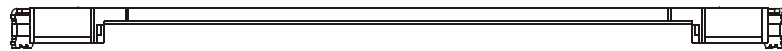
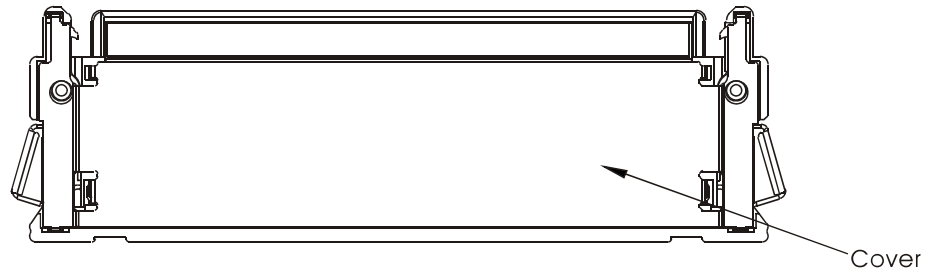
適用溫度



1.0mm

Notes

Item	Description
Suitable Housing 配合塑膠	MSAKT2407P30
	MSBKT2407P30
	MSCKT2307P30
	MSCK2407P30
Suitable Wire 適用電線	FFC Flat Cables



2407-MSCKT Wire to Board Connectors

TERMINAL

Part No.: 2407PS-00

產品編號

Thickness: 0.15mm

銅板厚度

Material: Phosphor Bronze

材質 磷青銅

Surface Treatment: Gold-flash

表面處理 鍍金

Applicable Wire: AWG# 30~32 AWG#36

適用電線

Insulation O.D.: 0.8mm Max.

線皮外徑

Suitable Housing: P2407P30 PK2407P30

配合塑膠

PKS2407P30 PKF2407P30

PS2407P30 PF2407P30

Packing: 20,000pcs/reel

包裝數量

PERFORMANCE

Electrical Rating: AC/DC 30V 1A

額定電壓電流

Insulation Resistance: 100MΩ min.

絕緣阻抗

Withstanding Voltage: 500V AC/minute

耐電壓

Temperature Range: -40°C~+85°C

適用溫度



1.0mm

