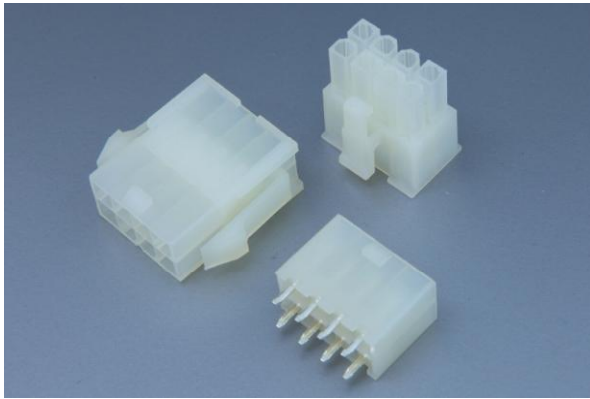


# 10110/11110



## Pitch 4.2mm Wire to Board Connectors



### PERFORMANCE

Electrical Rating: AC/DC 250V 6A

額定電壓電流

Insulation Resistance: 1000MΩ min.

絕緣阻抗

Withstanding Voltage: 1500V AC/minute

耐電壓

Temperature Range: -25°C~+85°C

適用溫度



### CONNECTOR - Top Entry

Part No.: M101102~M1011024

產品編號

Material: Housing: Nylon 94V-2

材質 塑膠座

Contact Pin: Brass, Tin-plated

接觸針 黃銅 鍍錫

Suitable Contact: 11110BS-2 11110PS-2

配合端子

Suitable Housing: P111102~P1111024

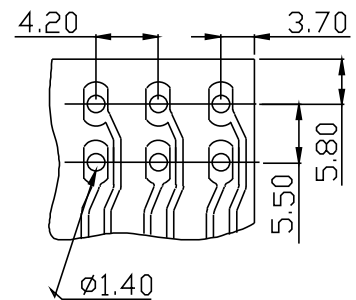
配合塑膠

Acceptable Wire: AWG# 18~24

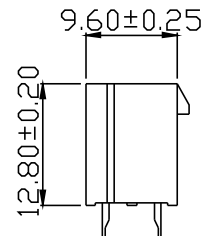
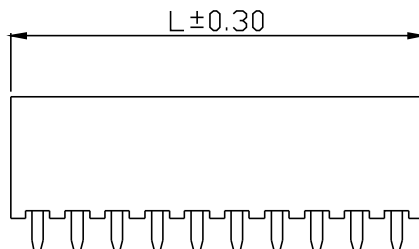
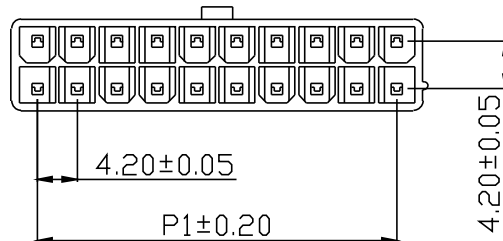
適用電線

Square Contact Pin: : 1.14±0.02mm

方型



P.C.B LAYOUT



4.20mm

Unit: mm

PartNo.	POS.	L	P1	Pack.	PartNo.	POS.	L	P1	Pack.
M101102	2X1	5.50	--	1000	M1011014	2X7	30.70	25.20	250
M101104	2X2	9.70	4.20	1000	M1011016	2X8	34.90	29.40	250
M101106	2X3	13.90	8.40	500	M1011018	2X9	39.10	33.60	250
M101108	2X4	18.10	12.60	500	M1011020	2X10	43.30	37.80	250
M1011010	2X5	22.30	16.80	500	M1011022	2X11	47.50	42.00	250
M1011012	2X6	26.50	21.00	250	M1011024	2X12	51.70	46.20	250

Behave in conformity with continual product development policy, SinSheng (STM) reserves the right of specification changing of contents described in this catalogue at any time and without prior notice. Please contact the sales department nearby for most updated information.  
由於產品持續開發的政策, 信盛(STM)保留隨時變更本目錄所述之規格且不需提前通知的權利. 請連繫業務處查詢最新的產品資訊.

# 10110 Wire to Board Connectors

## CONNECTOR - Side Entry

Part No.: M101102R~M1011024R

產品編號

Material: Housing: Nylon 94V-2

材質

塑膠座

Contact Pin: Brass, Tin-plated

接觸針

黃銅

鍍錫

Suitable Contact: 11110BS-2 11110PS-2

配合端子

Suitable Housing: P111102~P1111024

配合塑膠

Acceptable Wire: AWG# 18~24

適用電線

Square Contact Pin: :  $1.14 \pm 0.02\text{mm}$

方型

## PERFORMANCE

Electrical Rating: AC/DC 250V 6A

額定電壓電流

Insulation Resistance: 1000M $\Omega$  min.

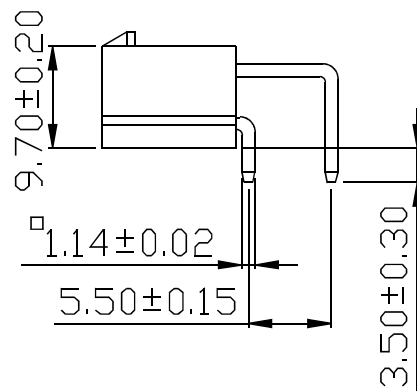
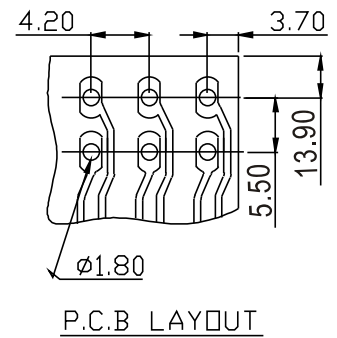
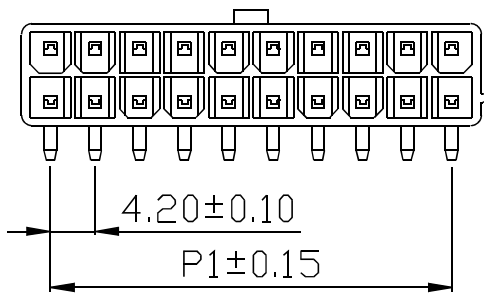
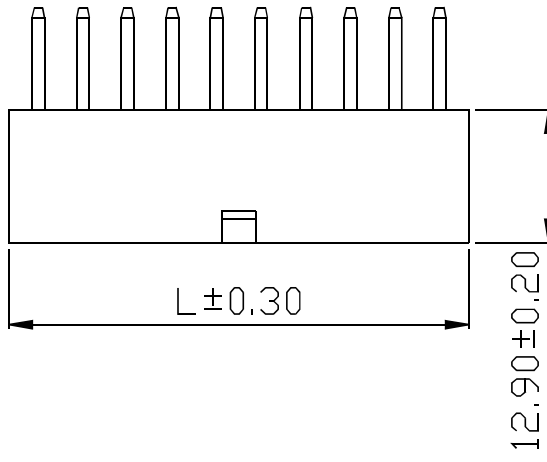
絕緣阻抗

Withstanding Voltage: 1500V AC/minute

耐電壓

Temperature Range:  $-25^{\circ}\text{C} \sim +85^{\circ}\text{C}$

適用溫度



4.20mm

Unit: mm

PartNo.	POS.	L	P1	Pack.	PartNo.	POS.	L	P1	Pack.
M101102R	2X1	5.50	--	1000	M1011014R	2X7	30.70	25.20	250
M101104R	2X2	9.70	4.20	1000	M1011016R	2X8	34.90	29.40	250
M101106R	2X3	13.90	8.40	500	M1011018R	2X9	39.10	33.60	250
M101108R	2X4	18.10	12.60	500	M1011020R	2X10	43.30	37.80	250
M1011010R	2X5	22.30	16.80	500	M1011022R	2X11	47.50	42.00	250
M1011012R	2X6	26.50	21.00	250	M1011024R	2X12	51.70	46.20	250

# 10110 Wire to Board / to Wire Connectors

## HOUSING - Male Type

Part No.: P101102~P1011024

產品編號

Material: Nylon 94V-2

材質

Suitable Contact: 10110BS-2 10110PS-2

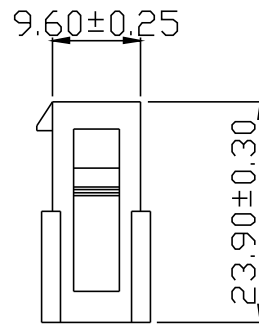
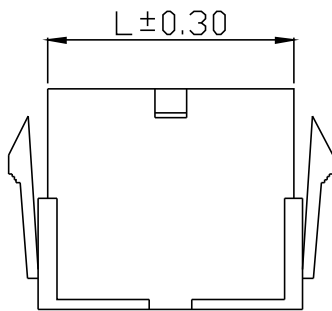
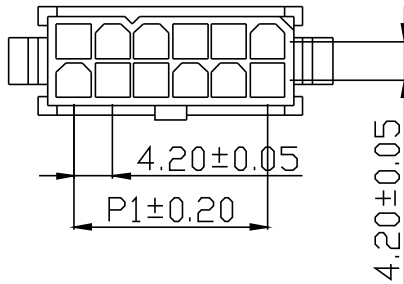
配合端子

Suitable Connector: P111102~P1111024

配合公座

Acceptable Wire: AWG# 18~24

適用電線



## PERFORMANCE

Electrical Rating: AC/DC 250V 6A

額定電壓電流

Insulation Resistance: 1000MΩ min.

絕緣阻抗

Withstanding Voltage: 1500V AC/minute

耐電壓

Temperature Range: -25°C~+85°C

適用溫度



## HOUSING - Female Type

Part No.: P111102~P1111024

產品編號

Material: Nylon 94V-2

材質

Suitable Contact: 11110BS-2 11110PS-2

配合端子

Suitable Housing: P101102~P1011024

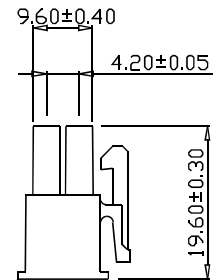
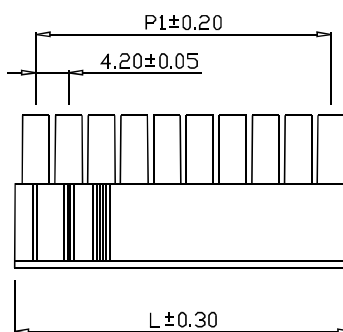
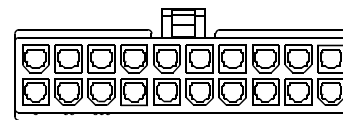
配合公座

Suitable Connector: M101102~M1011024

M101102R~M1011024R

Acceptable Wire: AWG# 18~24

適用電線



Unit: mm

PartNo.	POS.	L	P1	Pack.
P101102	2X1	5.50		500
P101104	2X2	9.70	4.20	500
P101106	2X3	13.90	8.40	500
P101108	2X4	18.10	12.60	500
P1011010	2X5	22.30	16.88	500
P1011012	2X6	26.50	21.00	200

PartNo.	POS.	L	P1	Pack.
P1011014	2X7	30.70	25.20	200
P1011016	2X8	34.90	29.40	200
P1011018	2X9	39.10	33.60	200
P1011020	2X10	43.30	37.80	200
P1011022	2X11	47.50	42.00	200
P1011024	2X12	51.70	46.20	200

4.20mm

# 10110/11110 Wire to Board Connectors

## TERMINAL

Part No.: 10110BS-2 10110PS-2

產品編號

Thickness: 0.20mm

銅板厚度

Material: Brass (BS) Phosphor Bronze (PS)

材質 黃銅 磷青銅

Surface Treatment: Tin-plated

表面處理 鍍錫

Acceptable Wire: AWG# 18~24

適用電線

Insulation O.D.: 2.90~2.30mm

線皮外徑

Suitable Contact: 11110BS-2 11110PS-2

配合端子

Suitable Housing: P101102~P1011024

配合塑膠

Packing: 5,000PCS(Reel)

包裝數量

## PERFORMANCE

Electrical Rating: AC/DC 250V 6A

額定電壓電流

Insulation Resistance: 1000MΩ min.

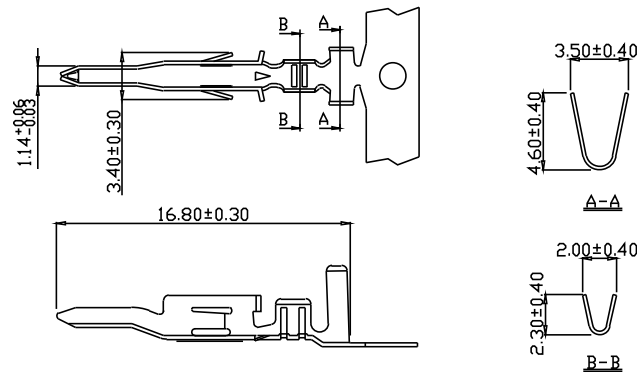
絕緣阻抗

Withstanding Voltage: 1500V AC/minute

耐電壓

Temperature Range: -25°C~+85°C

適用溫度



## TERMINAL

Part No.: 11110BS-2 11110PS-2

產品編號

Thickness: 0.20mm

銅板厚度

Material: Brass (BS) Phosphor Bronze (PS)

材質 黃銅 磷青銅

Surface Treatment: Tin-plated

表面處理 鍍錫

Acceptable Wire: AWG# 18~24

適用電線

Insulation O.D.: 2.90~2.30mm

線皮外徑

Suitable Contact: 10110BS-2 10110PS-2

配合端子

Suitable Housing: P111102~P1111024

配合塑膠

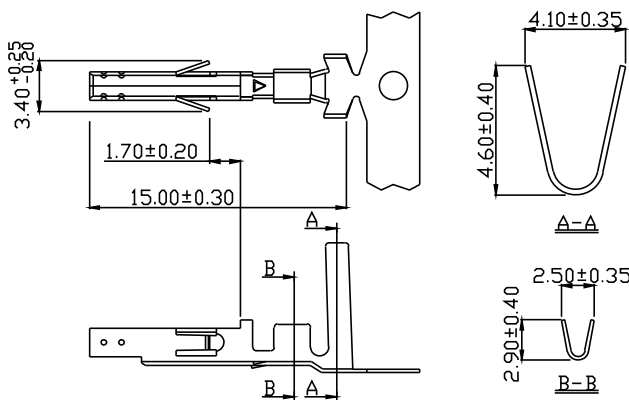
Suitable Connector: M101102~M1011024

配合公座

M101102R~M1011024R

Packing: 5,000PCS(Reel)

包裝數量



4.20mm