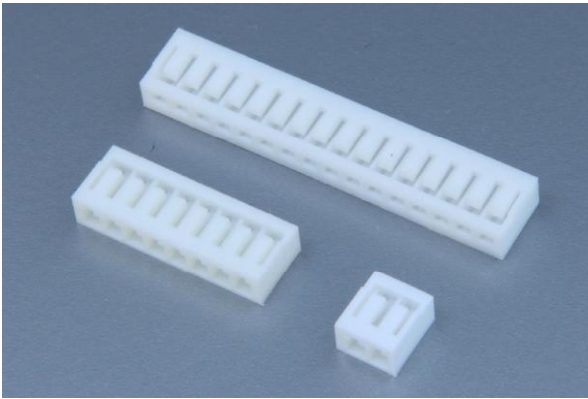


10113



Pitch 2.0mm Board In Connectors



PERFORMANCE

Electrical Rating: AC/DC 250V 1A
 額定電壓電流
 Insulation Resistance: 1000MΩ min.
 絕緣阻抗
 Withstanding Voltage: 800V AC/minute
 耐電壓
 Temperature Range: -25°C~+85°C
 適用溫度



HOUSING

Part No.: P101132~P1011316

產品編號

Material: Nylon 94V-0

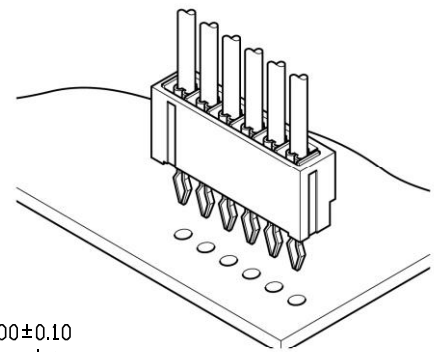
材質

Suitable Contact: : 10113BS-2

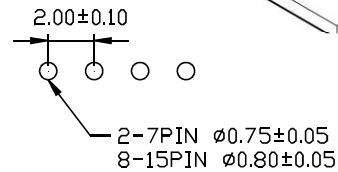
配合端子

Applicable Wire: AWG# 24~30

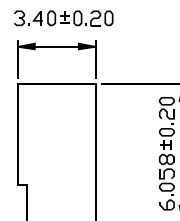
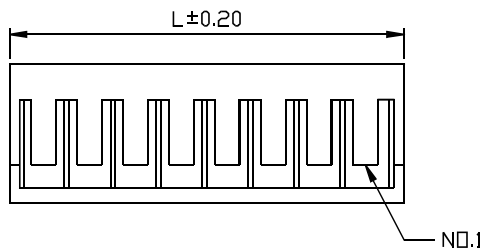
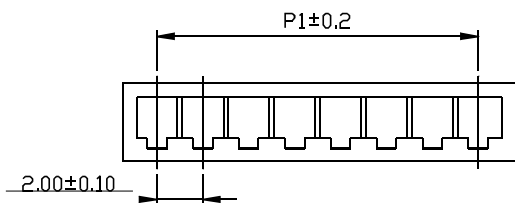
適用電線



2.0mm



P. B. C. LAYOUT



					Unit:mm				
Part No.	POS.	L	P1	Pack.	Part No.	POS.	L	P1	Pack.
P101132	2	5.20	2.00	1000	P1011310	10	21.20	18.00	1000
P101133	3	7.20	4.00	1000	P1011311	11	23.20	20.00	1000
P101134	4	9.20	6.00	1000	P1011312	12	25.20	22.00	1000
P101135	5	11.20	8.00	1000	P1011313	13	27.20	24.00	1000
P101136	6	13.20	10.00	1000	P1011314	14	29.20	26.00	1000
P101137	7	15.20	12.00	1000	P1011315	15	31.20	28.00	1000
P101138	8	17.20	14.00	1000	P1011316	16	33.20	30.00	1000
P101139	9	19.20	16.00	1000					

Behave in conformity with continual product development policy, SinSheng (STM) reserves the right of specification changing of contents described in this catalogue at any time and without prior notice. Please contact the sales department nearby for most updated information.
 由於產品持續開發的政策, 信盛(STM)保留隨時變更本目錄所述之規格且不需提前通知的權利。請連繫業務處查詢最新的產品資訊。

10113 Board In Connectors

TERMINAL

Part No.: 10113BS-2

產品編號

Thickness: 0.20mm

銅板厚度

Material: Brass

材質 黃銅

Surface Treatment: Tin-plated

表面處理 鍍錫

Applicable Wire: AWG# 24~30

適用電線

Insulation O.D.: 0.80~1.20mm

線皮外徑

Suitable Housing: P101132~P1011316

配合塑膠

Suitable PCB Hole: $\phi 0.80 \pm 0.05$ mm

配合PC板孔徑

Thickness: 0.80~1.60mm

厚度

Packing: 10,000PCS(Reel)

包裝數量

PERFORMANCE

Electrical Rating: AC/DC 250V 1A

額定電壓電流

Insulation Resistance: 1000M Ω min.

絕緣阻抗

Withstanding Voltage: 800V AC/minute

耐電壓

Temperature Range: -25°C~+85°C

適用溫度



2.0mm

