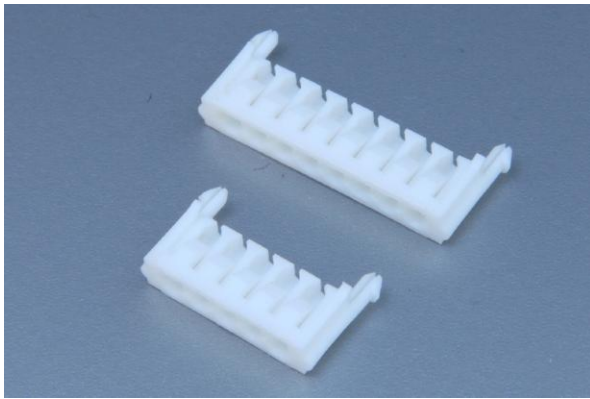


10117



Pitch 2.5mm Board In Connectors



PERFORMANCE

Electrical Rating: AC/DC 250V 3A
 額定電壓電流
 Insulation Resistance: 1000MΩ min.
 絕緣阻抗
 Withstanding Voltage: 800V AC/minute
 耐電壓
 Temperature Range: -25°C~+105°C
 適用溫度



HOUSING

Part No.: P101172~P1011711

產品編號

Material: Nylon 94V-0

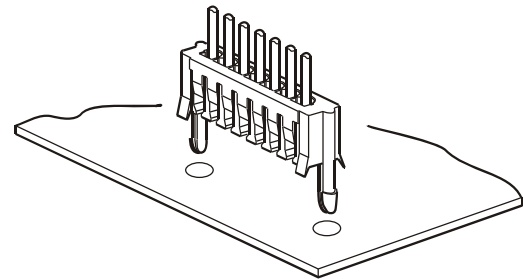
材質

Suitable PCB Thickness: 0.60~1.20mm

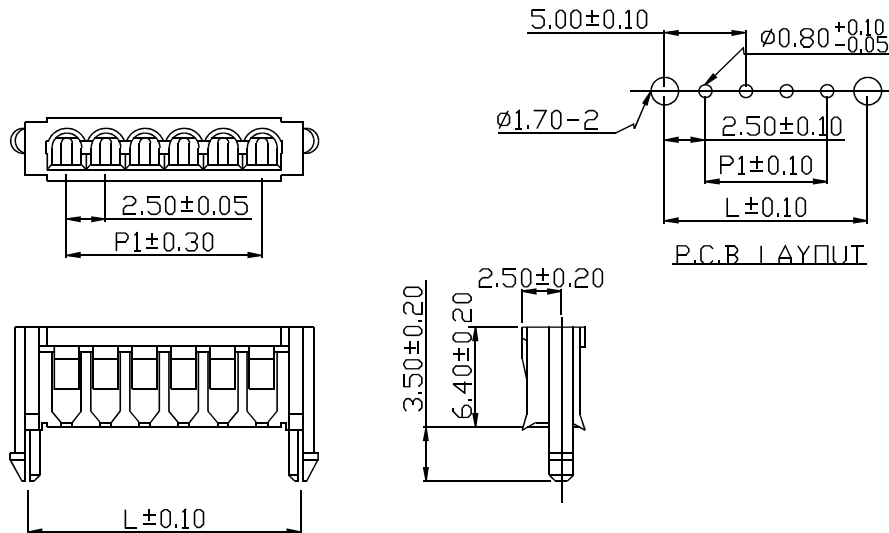
適用基板厚度

Applicable Wire: AWG# 22~28

適用電線



2.5mm



Unit: mm

Part No.	POS.	L	P1	Pack.	Part No.	POS.	L	P1	Pack.
P101172	2	7.50	2.50	1000	P101177	7	20.00	15.00	500
P101173	3	10.00	5.00	1000	P101178	8	22.50	17.50	500
P101174	4	12.50	7.50	1000	P1011710	10	27.50	22.50	500
P101175	5	15.00	10.00	1000	P1011711	11	30.00	25.00	500
P101176	6	17.50	12.50	1000					

Behave in conformity with continual product development policy, SinSheng (STM) reserves the right of specification changing of contents described in this catalogue at any time and without prior notice. Please contact the sales department nearby for most updated information.
 由於產品持續開發的政策, 信盛(STM)保留隨時變更本目錄所述之規格且不需提前通知的權利. 請連繫業務處查詢最新的產品資訊.