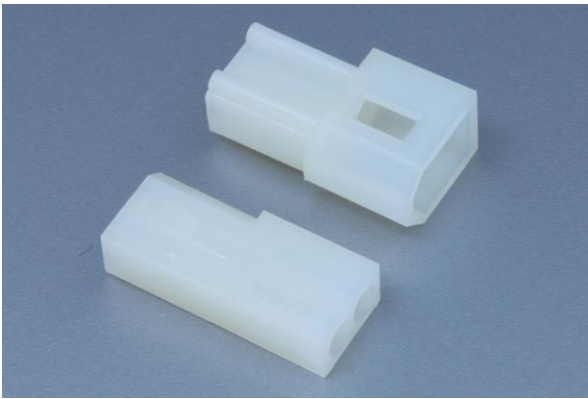


10274



Wire to Wire 1.58mm ϕ connectors



PERFORMANCE

Electrical Rating: AC/DC 250V 5A

額定電壓電流

Insulation Resistance: 1000M Ω min.

絕緣阻抗

Withstanding Voltage: 1000V AC/minute

耐電壓

Temperature Range: -25 $^{\circ}$ C~+85 $^{\circ}$ C

適用溫度



TERMINAL

Part No.: 10274BS-2

產品編號

Thickness: 0.20mm

銅板厚度

Material: Brass

材質 黃銅

Surface Treatment: Tin-plated

表面處理 鍍錫

Acceptable Wire: AWG# 18~24

適用電線

Insulation O.D.: 1.50~2.10mm

線皮外徑

Suitable Contact: 11274BS-2

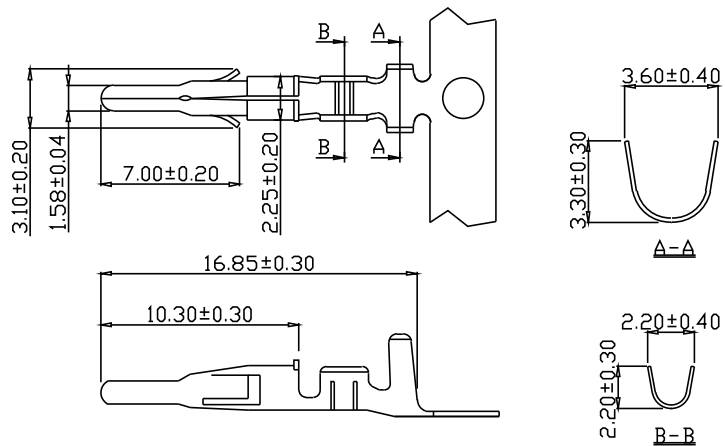
配合端子

Suitable Housing: P102742 P102743

配合塑膠

Packing: 7,500PCS(Reel)

包裝數量



TERMINAL

Part No.: 11274BS-2

產品編號

Thickness: 0.20mm

銅板厚度

Material: Brass

材質 黃銅

Surface Treatment: Tin-plated

表面處理 鍍錫

Acceptable Wire: AWG# 18~24

適用電線

Insulation O.D.: 1.50~2.10mm

線皮外徑

Suitable Contact: 10274BS-2

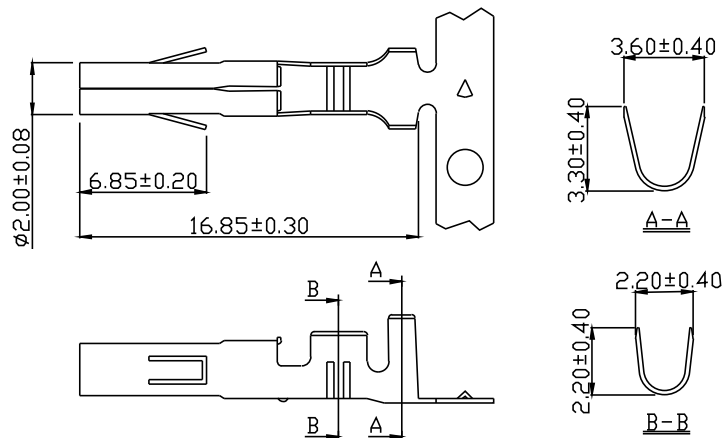
配合端子

Suitable Housing: P112742 P112743

配合塑膠

Packing: 7,500PCS(Reel)

包裝數量



11274 Wire to Wire 1.58mm ϕ connectors

HOUSING

Part No.: P102742 (2P) P102743(3P)

產品編號

Material: Nylon 94V-2

材質

Suitable Contact: 11274BS-2

配合端子

Suitable Housing: P112742(2P) P112743(3P)

配合塑膠

Acceptable Wire: AWG# 18~24

適用電線

Packing: 1,00PCS(Bag)

包裝數量

PERFORMANCE

Electrical Rating: AC/DC 250V 5A

額定電壓電流

Insulation Resistance: 1000M Ω min.

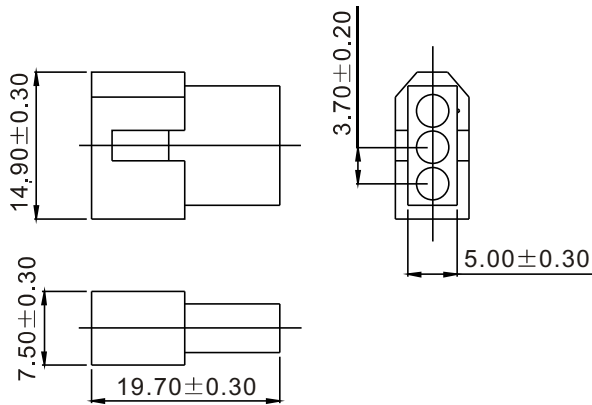
絕緣阻抗

Withstanding Voltage: 1000V AC/minute

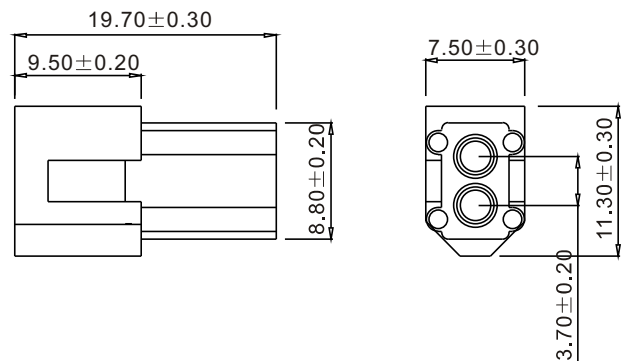
耐電壓

Temperature Range: -25 $^{\circ}$ C~+85 $^{\circ}$ C

適用溫度



P102743



P102742

HOUSING

Part No.: P112742 (2P) P112743(3P)

產品編號

Material: Nylon 94V-2

材質

Suitable Contact: 11274BS-2

配合端子

Suitable Housing: P102742(2P) P102743(3P)

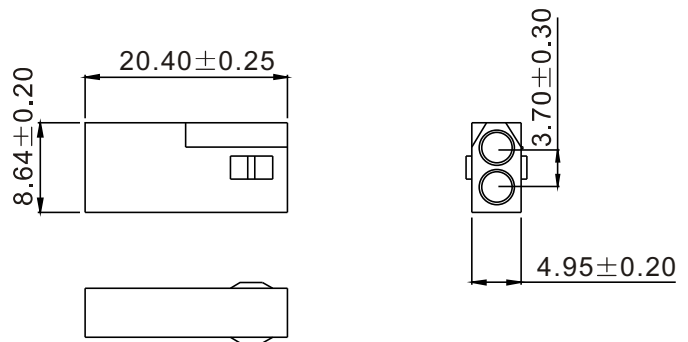
配合塑膠

Acceptable Wire: AWG# 18~24

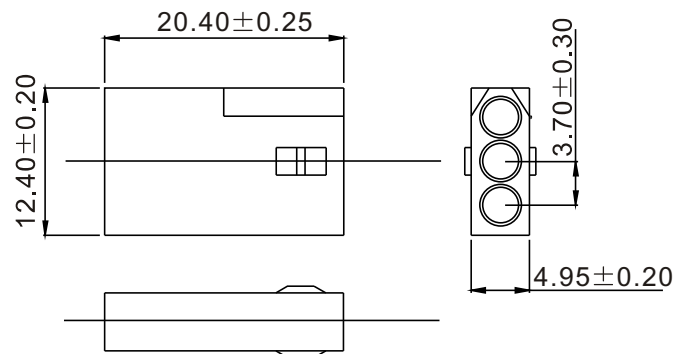
適用電線

Packing: 1,00PCS(Bag)

包裝數量



P112742



P112743