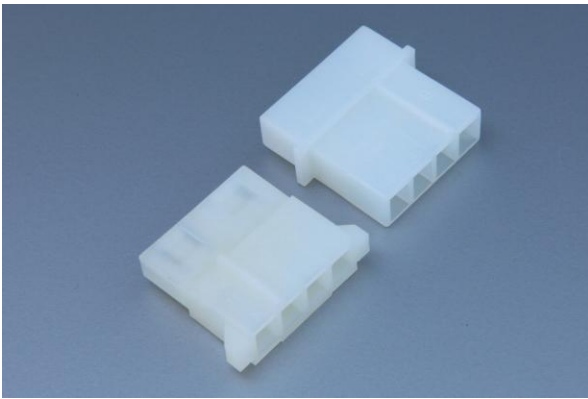


# 10275



## Wire to Wire 2.03mm $\phi$ connectors



### PERFORMANCE

Electrical Rating: AC/DC 250V 7A  
 額定電壓電流  
 Insulation Resistance: 1000M $\Omega$  min.  
 絕緣阻抗  
 Withstanding Voltage: 1000V AC/minute  
 耐電壓  
 Temperature Range: -25 $^{\circ}$ C~+85 $^{\circ}$ C  
 適用溫度



### TERMINAL

Part No.: 10275BS-2

產品編號

Thickness: 0.25mm

銅板厚度

Material: Brass

材質 黃銅

Surface Treatment: Tin-plated

表面處理 鍍錫

Acceptable Wire: AWG# 16~22

適用電線

Insulation O.D.: 2.10~2.50mm

線皮外徑

Suitable Contact: 112751BS-2

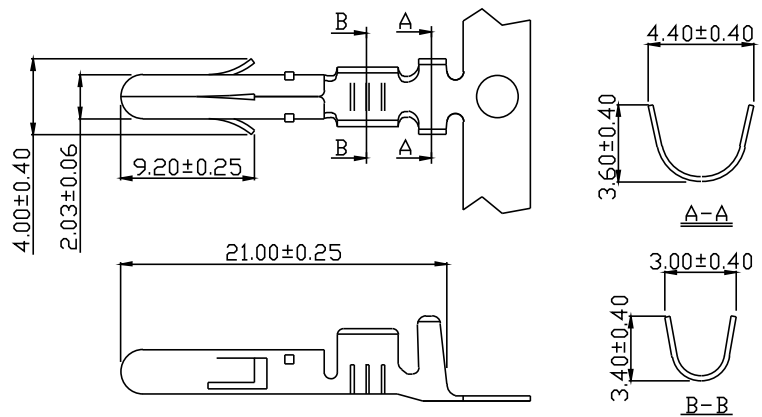
配合端子

Suitable Housing: P102754

配合塑膠

Packing: 7,500PCS(Reel)

包裝數量



### HOUSING

Part No.: P102754

產品編號

Material: Nylon 94V-2

材質

Suitable Contact: 10275BS-2

配合端子

Suitable Housing: P112754

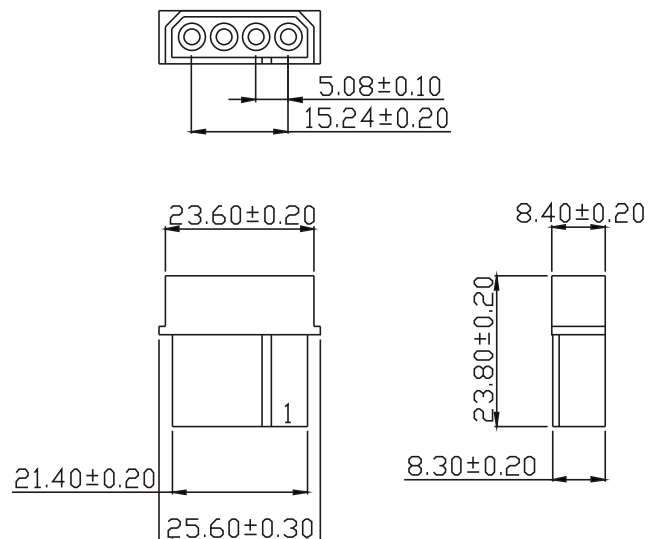
配合公座

Acceptable Wire: AWG# 16~22

適用電線

Packing: 500PCS (Bag)

包裝數量



# 11275 Wire to Wire 2.03mm $\phi$ connectors

## TERMINAL

Part No.: 112751BS-2

產品編號

Thickness: 0.30mm

銅板厚度

Material: Brass

材質 黃銅

Surface Treatment: Tin-plated

表面處理 鍍錫

Acceptable Wire: AWG# 18~24

適用電線

Insulation O.D.: 1.50~2.10mm

線皮外徑

Suitable Contact: 10275BS-2

配合端子

Suitable Housing: P112754

配合塑膠

Packing: 7,500PCS(Reel)

包裝數量

## PERFORMANCE

Electrical Rating: AC/DC 250V 7A

額定電壓電流

Insulation Resistance: 1000M $\Omega$  min.

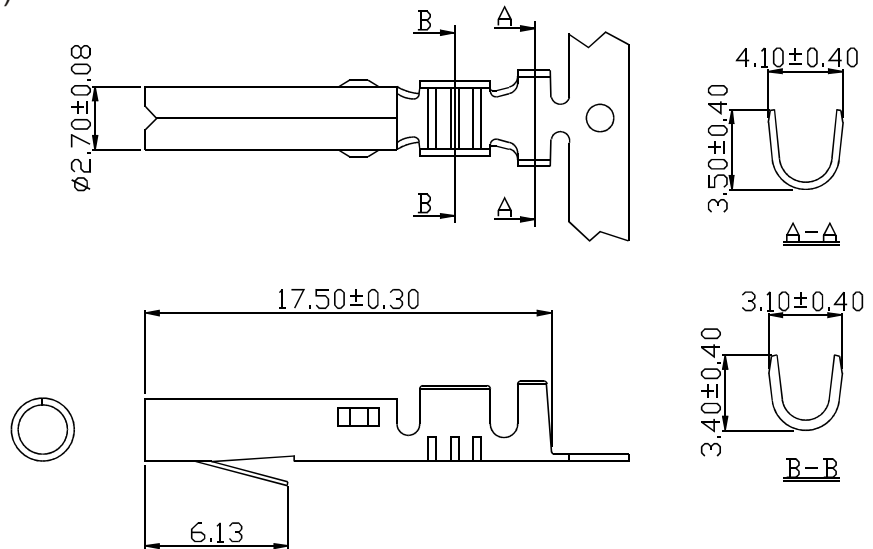
絕緣阻抗

Withstanding Voltage: 1000V AC/minute

耐電壓

Temperature Range: -25 $^{\circ}$ C~+85 $^{\circ}$ C

適用溫度



## HOUSING

Part No.: P112754

產品編號

Material: Nylon 94V-2

材質

Suitable Contact: 112751BS-2

配合端子

Suitable Housing: P102754

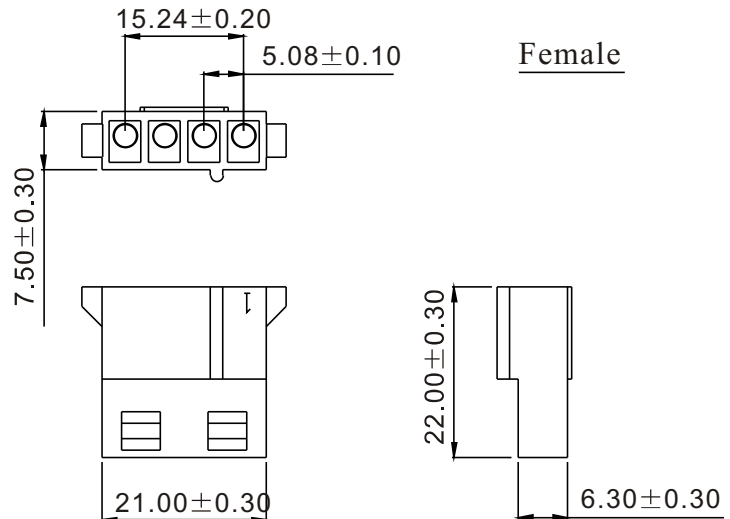
配合公座

Acceptable Wire: AWG# 18~24

適用電線

Packing: 500PCS (Bag)

包裝數量



Female