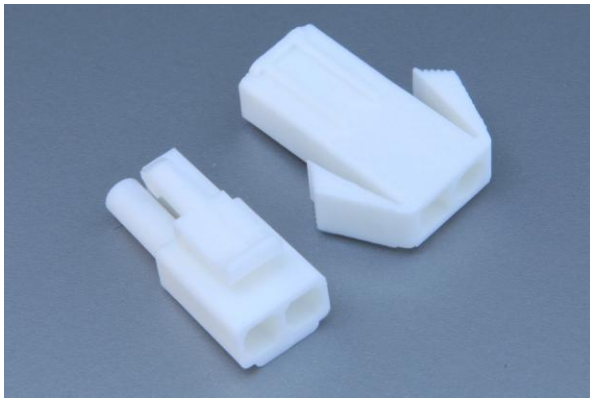


10277



Wire to Wire 1.3mm ϕ Connectors



PERFORMANCE

Electrical Rating: AC/DC 250V 7A

額定電壓電流

Insulation Resistance: 1000M Ω min.

絕緣阻抗

Withstanding Voltage: 1000V AC/minute

耐電壓

Temperature Range: -25 $^{\circ}$ C~+85 $^{\circ}$ C

適用溫度



TERMINAL

Part No.: 10277BS-2

產品編號

Thickness: 0.25mm

銅板厚度

Material: Brass

材質 黃銅

Surface Treatment: Tin-plated

表面處理 鍍錫

Acceptable Wire: AWG# 18~22

適用電線

Insulation O.D.: 1.70~2.10mm

線皮外徑

Suitable Contact: 11277BS-2

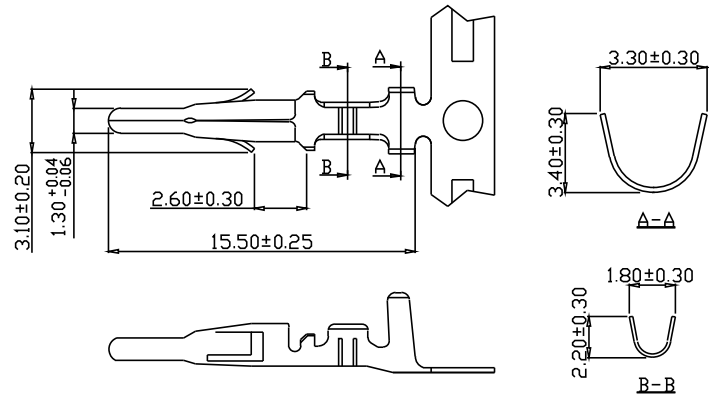
配合端子

Suitable Housing: P102772 P102773 P102776

配合塑膠

Packing: 7,500PCS(Reel)

包裝數量



TERMINAL

Part No.: 11277BS-2

產品編號

Thickness: 0.25mm

銅板厚度

Material: Brass

材質 黃銅

Surface Treatment: Tin-plated

表面處理 鍍錫

Acceptable Wire: AWG# 18~22

適用電線

Insulation O.D.: 1.70~2.10mm

線皮外徑

Suitable Contact: 10277BS-2

配合端子

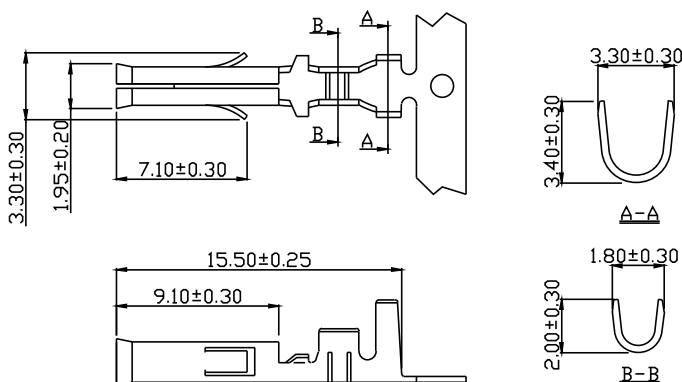
Suitable Housing: P112772 P112773

配合塑膠

P112776

Packing: 7,500PCS(Reel)

包裝數量



10277 Wire to Wire 1.3φ Connectors

HOUSING - Male Type

Part No.: P102772

產品編號

Material: Nylon 94V-0

材質

Suitable Contact: 10277BS-2

配合端子

Suitable Housing: P112772

配合塑膠

Acceptable Wire: AWG# 18~22

適用電線

Packing: 500PCS(Bag)

包裝數量

PERFORMANCE

Electrical Rating: AC/DC 250V 7A

額定電壓電流

Insulation Resistance: 1000MΩ min.

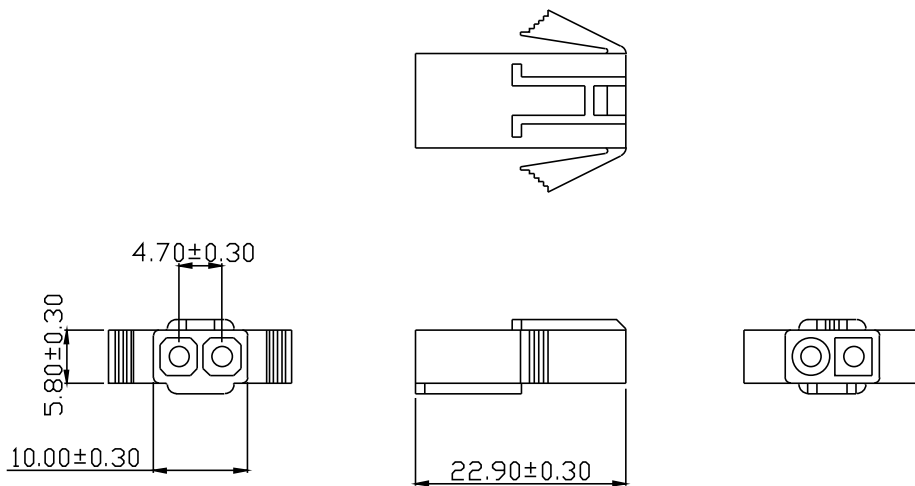
絕緣阻抗

Withstanding Voltage: 1000V AC/minute

耐電壓

Temperature Range: -25°C~+85°C

適用溫度



HOUSING

Part No.: P102773

產品編號

Material: Nylon 94V-0

材質

Suitable Contact: 10277BS-2

配合端子

Suitable Housing: P112773

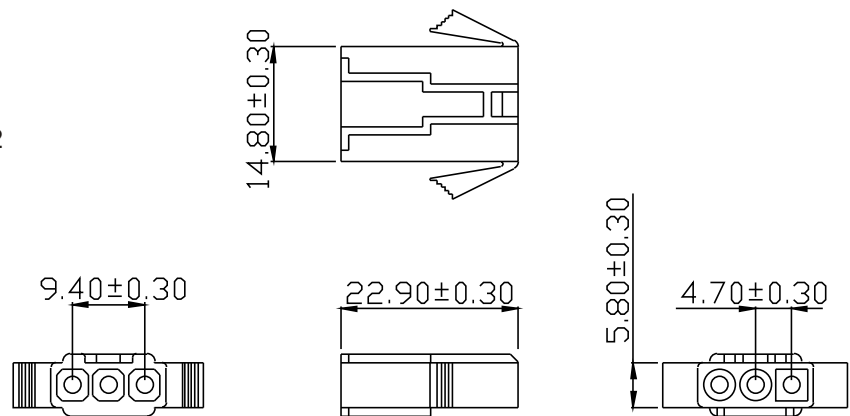
配合塑膠

Acceptable Wire: AWG# 18~22

適用電線

Packing: 500PCS(Bag)

包裝數量



10277 Wire to Wire 1.3φ Connectors

HOUSING - Male Type

Part No.: P102776

產品編號

Material: Nylon 94V-0

材質

Suitable Contact: 10277BS-2

配合端子

Suitable Housing: P112776

配合塑膠

Acceptable Wire: AWG# 18~22

適用電線

Packing: 500PCS(Bag)

包裝數量

PERFORMANCE

Electrical Rating: AC/DC 250V 7A

額定電壓電流

Insulation Resistance: 1000MΩ min.

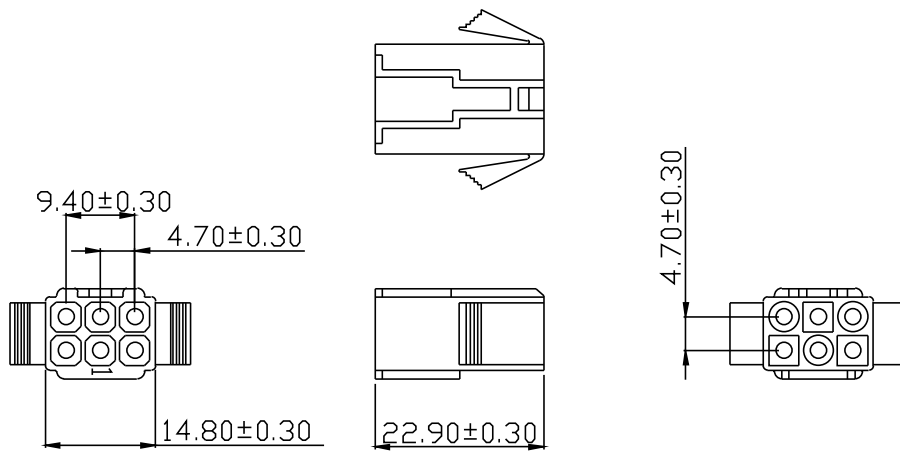
絕緣阻抗

Withstanding Voltage: 1000V AC/minute

耐電壓

Temperature Range: -25°C~+85°C

適用溫度



HOUSING

Part No.: P112772

產品編號

Material: Nylon 94V-0

材質

Suitable Contact: 11277BS-2

配合端子

Suitable Housing: P102772

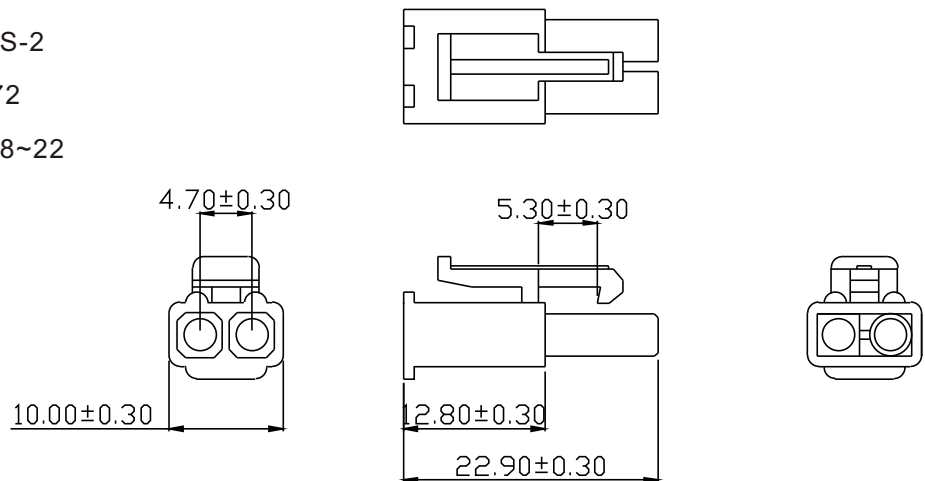
配合塑膠

Acceptable Wire: AWG# 18~22

適用電線

Packing: 500PCS(Bag)

包裝數量



10277 Wire to Wire 1.3φ Connectors

HOUSING - Female Type

Part No.: P112773

產品編號

Material: Nylon 94V-0

材質

Suitable Contact: 11277BS-2

配合端子

Suitable Housing: P102773

配合塑膠

Acceptable Wire: AWG# 18~22

適用電線

Packing: 500PCS(Bag)

包裝數量

PERFORMANCE

Electrical Rating: AC/DC 250V 7A

額定電壓電流

Insulation Resistance: 1000MΩ min.

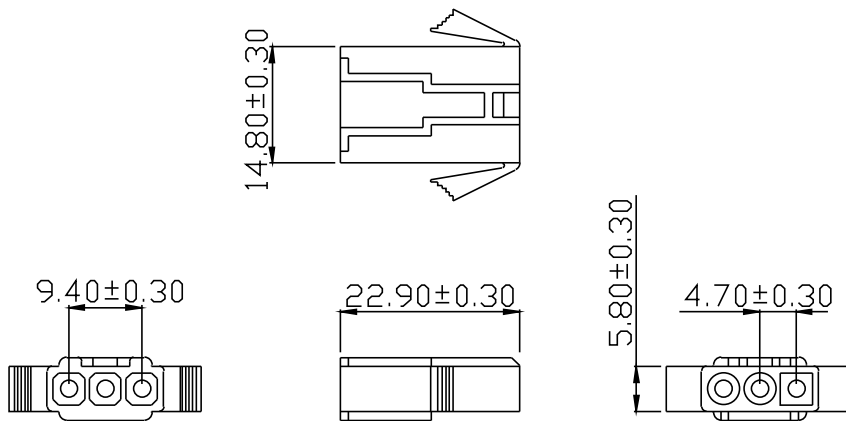
絕緣阻抗

Withstanding Voltage: 1000V AC/minute

耐電壓

Temperature Range: -25°C~+85°C

適用溫度



HOUSING

Part No.: P112776

產品編號

Material: Nylon 94V-0

材質

Suitable Contact: 11277BS-2

配合端子

Suitable Housing: P102776

配合塑膠

Acceptable Wire: AWG# 18~22

適用電線

Packing: 500PCS(Bag)

包裝數量

