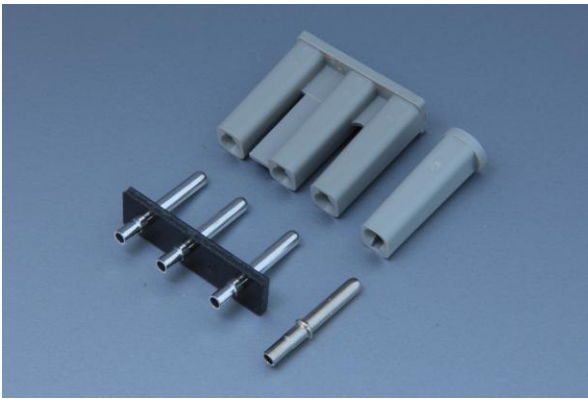


1135



Pitch 10-8.0mm Wire to Board Connectors



PERFORMANCE

Electrical Rating: AC/DC 250V 7A

額定電壓電流

Insulation Resistance: 1000MΩ min.

絕緣阻抗

Withstanding Voltage: 1500V AC/minute

耐電壓

Temperature Range: -25°C~+85°C

適用溫度



HOUSING

Part No.: P11351B~P11356B

產品編號

P11351G~P11356G

Material: Noryl 94V-1

材質

Suitable Contact: 11351BS-2 11351PS-2

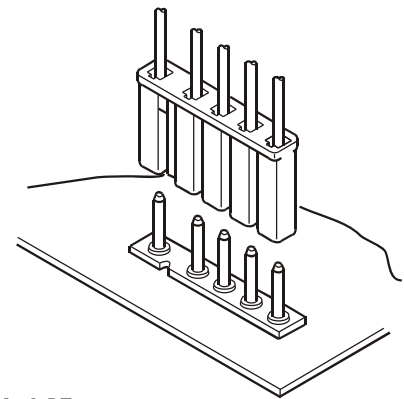
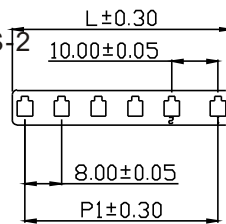
配合端子

Suitable Connector: M11351~M11356

配合公座

Acceptable Wire: AWG# 16~24

適用電線



HOUSING

Part No.: P113528 P113528B(BLACK)

產品編號

Material: Noryl 94V-1

材質

Suitable Contact: 11351BS-2 11351PS-2

配合端子

Suitable Connector: M113528

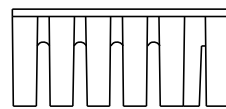
配合公座

Acceptable Wire: AWG# 16~24

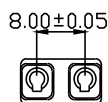
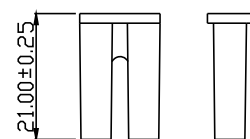
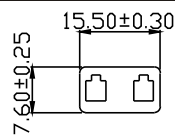
適用電線

Packing: 1,000PCS(Bag)

包裝數量



Part No. P113528



Unit: mm

PartNo.	POS	Color	L	P1	Pack.
P11351B	1	Black	8.00	6.50	1000
P11352B	2	Black	15.50	10.00	1000
P11353B	3	Black	23.50	18.00	500
P11354B	4	Black	31.50	26.00	500
P11355B	5	Black	39.50	34.00	500
P11356B	6	Black	47.50	42.00	500
PartNo.	POS	Color	L	P1	Pack.
P11351G	1	Grey	8.00	6.50	1000
P11352G	2	Grey	15.50	10.00	1000
P11353G	3	Grey	23.50	18.00	500
P11354G	4	Grey	31.50	26.00	500
P11355G	5	Grey	39.50	34.00	500
P11356G	6	Grey	47.50	42.00	500

Behave in conformity with continual product development policy, SinSheng (STM) reserves the right of specification changing of contents described in this catalogue any time and without prior notice. Please contact the sales department nearby for most updated information.
由於產品持續開發的政策, 信盛(STM)保留隨時變更本目錄所述之規格且不需提前通知的權利。請連繫業務處查詢最新的產品資訊。

1135 Wire to Board Connectors

HOUSING - Long Type

Part No.: P11351LG~P11356LG

產品編號

P11351LB~P11356LB

Material: Noryl 94V-0

材質

Suitable Contact: 11351BS-2 11351PS-2

配合端子

Suitable Connector: M11351~M11356

配合公座

Acceptable Wire: AWG# 16~24

適用電線

PERFORMANCE

Electrical Rating: AC/DC 250V 7A

額定電壓電流

Insulation Resistance: 1000MΩ min.

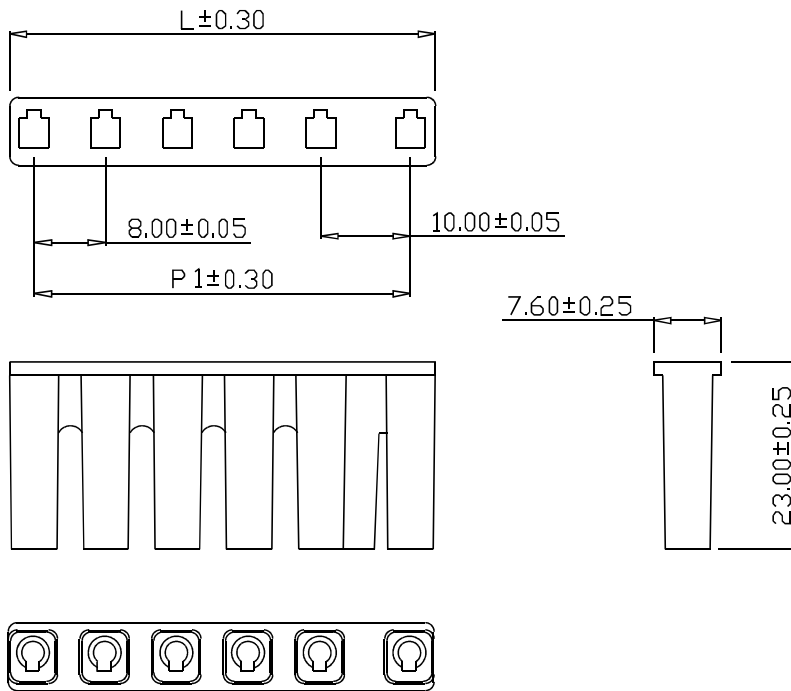
絕緣阻抗

Withstanding Voltage: 1500V AC/minute

耐電壓

Temperature Range: -25°C~+105°C

適用溫度



10-8.0mm

Unit: mm						Unit: mm					
PartNo.	POS.	Color	L	P1	Pack.	PartNo.	POS.	Color	L	P1	Pack.
P11351LG	1	Grey	8.00	6.50	1000	P11351LB	1	Black	8.00	6.50	1000
P11352LG	2	Grey	15.50	10.00	1000	P11352LB	2	Black	15.50	10.00	1000
P11353LG	3	Grey	23.50	18.00	500	P11353LB	3	Black	23.50	18.00	500
P11354LG	4	Grey	31.50	26.00	500	P11354LB	4	Black	31.50	26.00	500
P11355LG	5	Grey	39.50	34.00	500	P11355LB	5	Black	39.50	34.00	500
P11356LG	6	Grey	47.50	42.00	500	P11356LB	6	Black	47.50	42.00	500

1135 Wire to Board Connectors

CONNECTOR

Part No.: M11351~M11356

產品編號

Material: Housing: Black Bakelite

材質 塑膠座 黑色電木

Contact Pin: Brass, Nickel-plated

接觸針 黃銅 鍍

Suitable Contact: 11351BS-2 11351PS-2

配合端子

Suitable Housing: P11351B~P11356B

配合塑膠

P11351G~P11356G

P11351LG~P11356LG

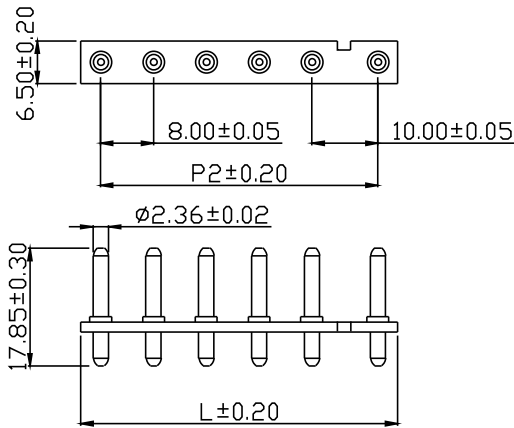
P11351LB~P11356LB

Acceptable Wire: AWG# 16~24

適用電線

Round Contact Pin: $\phi 2.36 \pm 0.02\text{mm}$

圓型



PERFORMANCE

Electrical Rating: AC/DC 250V 7A

額定電壓電流

Insulation Resistance: 1000M Ω min.

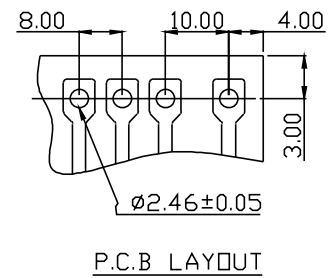
絕緣阻抗

Withstanding Voltage: 1500V AC/minute

耐電壓

Temperature Range: -25°C~+85°C

適用溫度



CONNECTOR

Part No.: M113528

產品編號

Material: Housing: Black Bakelite

材質 塑膠座 黑色電木

Contact Pin: : Brass, Nickel-plated

接觸針 黃銅 鍍

Suitable Contact: 11351BS-2 11351PS-2

配合端子

Suitable Connector: P113528 P113528B

配合塑膠

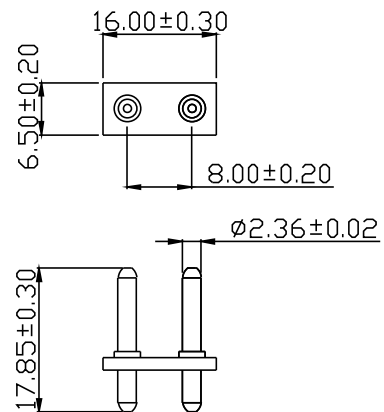
Acceptable Wire: AWG# 16~24

適用電線

Round Contact Pin: $\phi 2.36 \pm 0.02\text{mm}$

圓型

Part No. M113528



Unit: mm

Part No.	POS.	L	P2	Pack.
M11351	1	6.00	6.50	500
M11352	2	16.00	10.00	500
M11353	3	24.00	18.00	500
M11354	4	32.00	26.00	500
M11355	5	40.00	34.00	500
M11356	6	48.00	42.00	500

10-8.0mm

1135 Wire to Board Connectors

TERMINAL

Part No.: 11351BS-2 11351PS-2 (Side-feed)

產品編號

Thickness: 0.25mm

銅板厚度

Material: Brass (BS) Phosphor Bronze (PS)

材質 黃銅 磷青銅

Surface Treatment: Tin-plated

表面處理 鍍錫

Acceptable Wire: AWG# 16~24

適用電線

Insulation O.D.: 1.50~2.50mm

線皮外徑

Suitable Housing: P11351B~P11356B

配合塑膠

P11351G~P11356G

P11351LG~P11356LG

P11351LB~P11356LB

P113528 P113528B

Suitable Connector: M11351~M11356 M113528

配合公座

Packing: 7,500PCS(Reel) : 11351BS-2 11351PS-2

包裝數量

PERFORMANCE

Electrical Rating: AC/DC 250V 7A

額定電壓電流

Insulation Resistance: 1000MΩ min.

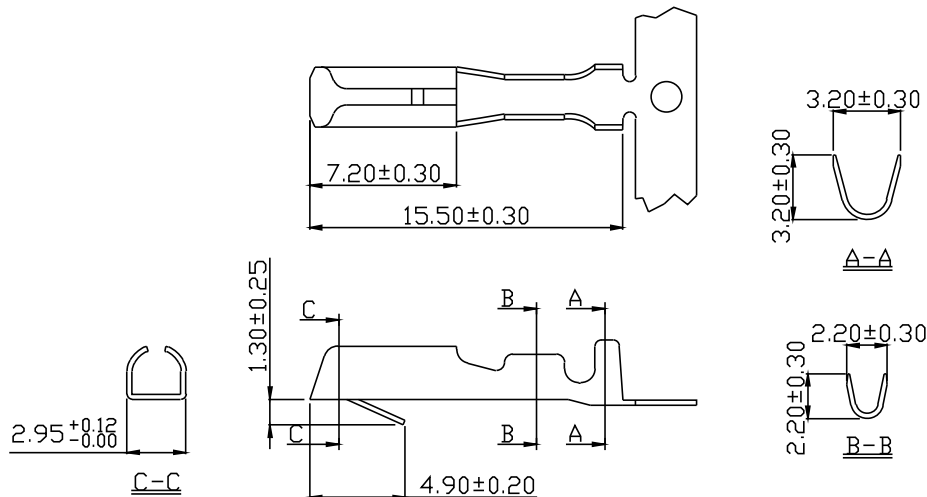
絕緣阻抗

Withstanding Voltage: 1500V AC/minute

耐電壓

Temperature Range: -25°C~+85°C

適用溫度



10-8.0mm