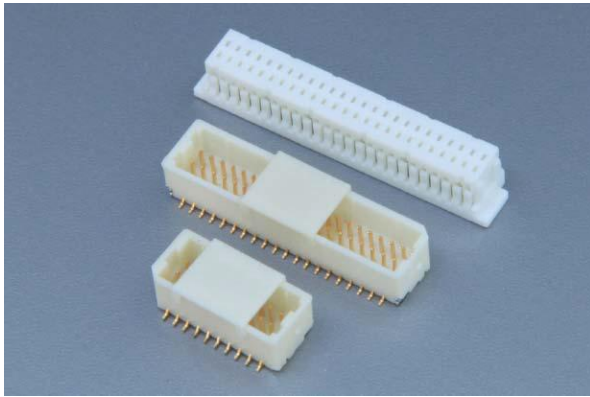


24011



Pitch 1.0mm Wire to Board Connectors - SMT Type



1.0mm

PERFORMANCE

Electrical Rating: AC/DC 50V 1A

額定電壓電流

Insulation Resistance: 100MΩ min.

絕緣阻抗

Withstanding Voltage: 500V AC/minute

耐電壓

Temperature Range: -25°C ~ +85°C

適用溫度



CONNECTOR - Double Rows

Part No.: MDS24011P10~MDS24011P25

產品編號

Material: Housing: Nylon 94V-0

材質 塑膠座

Contact Pin: Brass, Tin-plated

接觸針 磷青銅, 鍍錫

Suitable Contact: 24011PS-2

配合端子

Suitable Housing: PD24011P10~PD24011P25

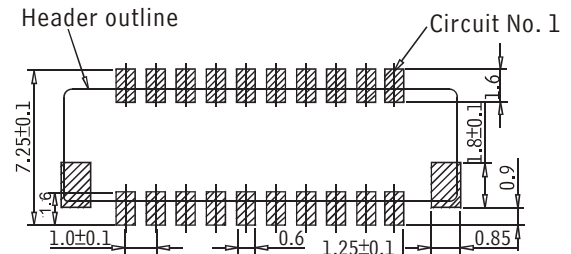
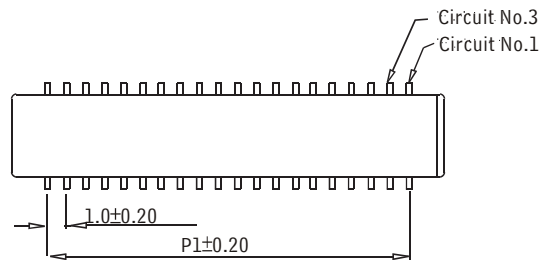
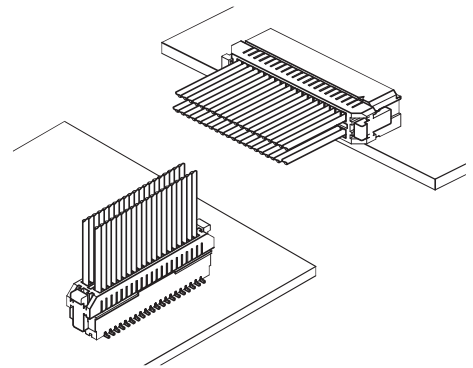
配合塑膠

Applicable Wire: AWG# 28~32

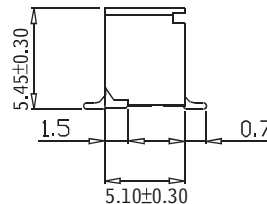
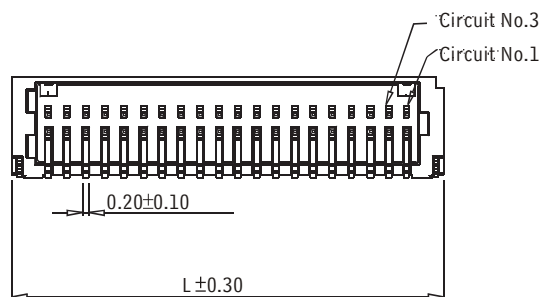
適用電線

Square Contact Pin: 0.20 ± 0.02mm

方型針



Recommended P.C. Board Pattern Dim.



Unit: mm

Part No.	POS.	L	P1	Pack.
MDS24011P10	2X10	12.30	9.00	1000
MDS24011P15	2X15	17.30	14.00	1000
MDS24011P20	2X20	22.30	19.00	1000
MDS24011P25	2X25	27.30	24.00	1000

Behave in conformity with continual product development policy, SinSheng (STM) reserves the right of specification changing of contents described in this catalogue at any time and without prior notice. Please contact the sales department nearby for most updated information.
由於產品持續開發的政策, 信盛(STM)保留隨時變更本目錄所述之規格且不需提前通知的權利, 請聯繫業務處查詢最新的產品資訊。

CONNECTOR - Double Rows

Part No.: MDS24011P10R~MDS24011P25R RF:A
 產品編號

MDS24011P10R~MDS24011P25R RF:B

MDS24011P10R~MDS24011P25R RF:C

Material: Housing: Nylon94V-0
 材質 塑膠座

Contact Pin: PB, Tin-plated
 接觸針 黃銅, 鍍錫

Suitable Contact: 24011PS-2
 配合端子

Suitable Housing: PD24011P10~PD24011P25
 配合塑膠

Applicable Wire: AWG# 28~32
 適用電線

Square Contact Pin: $0.20 \pm 0.02\text{mm}$
 方型針

PERFORMANCE

Electrical Rating: AC/DC 50V 1A
 額定電壓電流

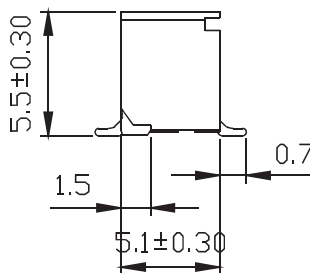
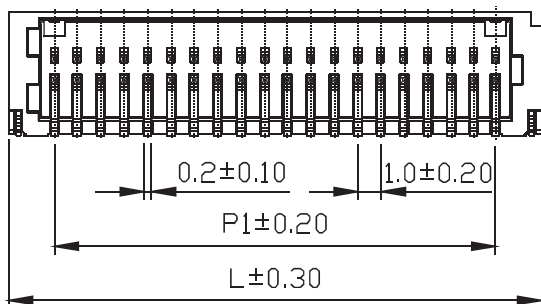
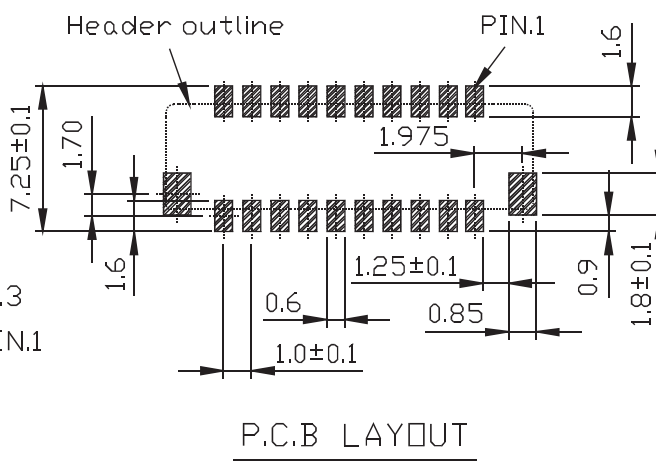
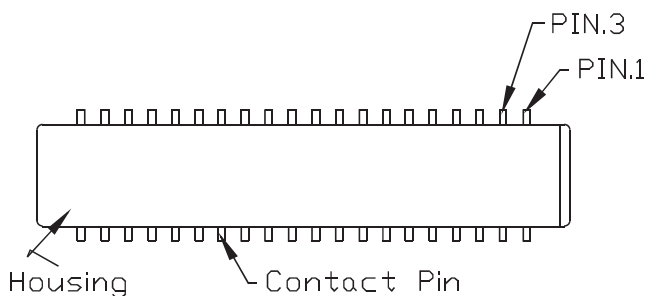
Insulation Resistance: 100MΩ min.
 絕緣阻抗

Withstanding Voltage: 500V AC/minute
 耐電壓

Temperature Range: $-25^{\circ}\text{C} \sim +85^{\circ}\text{C}$
 適用溫度



1.0mm



Treatment of Contact Pins: Tin-plated

Part No.	RF	POS.	L	P1	REEL
MDS24011P10R	B	2x0	13.10	9.00	1000
MDS24011P15R	B	2x5	18.10	14.00	1000
MDS24011P20R	B	2x0	23.10	19.00	1000
MDS24011P25R	B	2x5	28.10	24.00	1000

Treatment of Contact Pins: Gold-plated

Part No.	RF	POS.	L	P1	REEL
MDS24011P10R	C	2x0	13.10	9.00	1000
MDS24011P15R	C	2x5	18.10	14.00	1000
MDS24011P20R	C	2x0	23.10	19.00	1000
MDS24011P25R	C	2x5	28.10	24.00	1000

Treatment of Contact Pins: Gold-plated

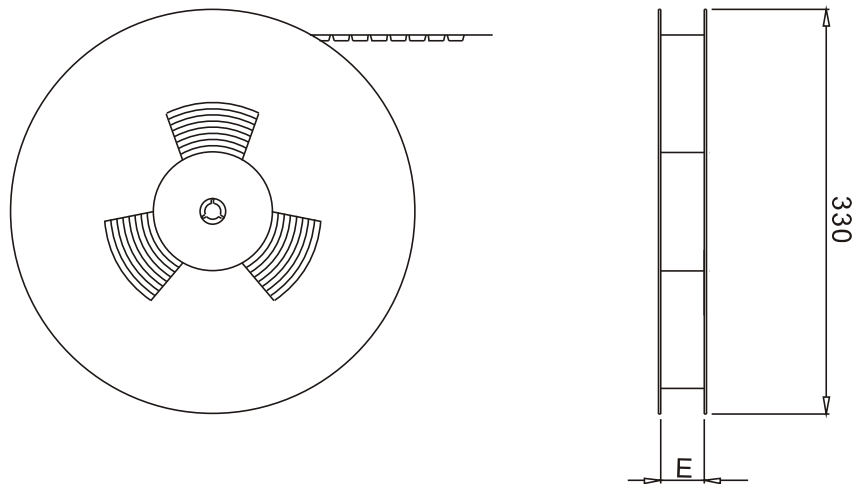
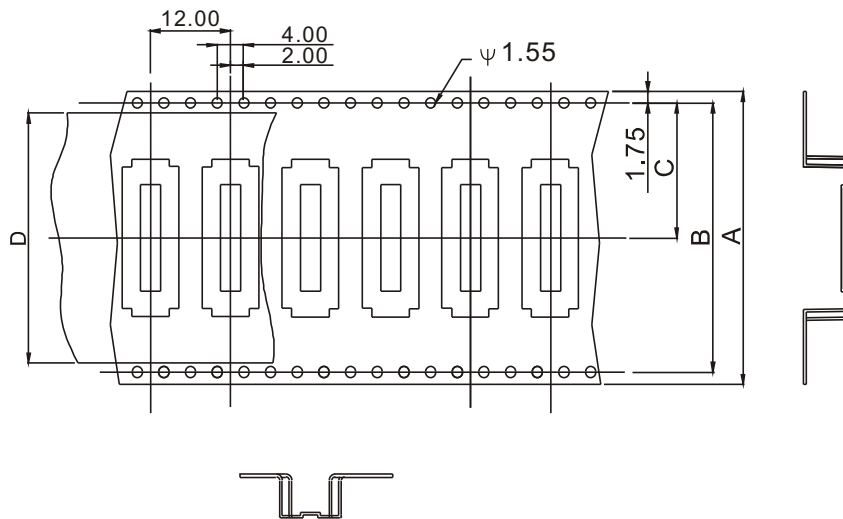
Part No.	RF	POS.	L	P1	Tube
MDS24011P10R	A	2x0	13.10	9.00	41
MDS24011P15R	A	2x5	18.10	14.00	30
MDS24011P20R	A	2x0	23.10	19.00	23
MDS24011P25R	A	2x5	28.10	24.00	19

Unit: mm

Embossed Carrier Tape Dimensional Drawing

MDS24011P Series

1.0mm



Unit: mm

POS.	A	B	C	D	E
2X10	24.00		11.50	21.30	25.50
2X15	32.00	28.40	14.20	25.50	33.50
2X20	44.00	40.40	20.20	37.50	45.50
2X25	44.00	40.40	20.20	37.50	45.50

CONNECTOR

Part No.: **MS24011P2~MS24011P20**

產品編號

MS24011P2~MS24011P20 RF:A

Material: Housing: Nylon 94V-0

材質 塑膠座

Contact Pin: Brass, Tin-plated

接觸針 黃銅, 鍍錫

Suitable Contact: 24011PS-2

配合端子

Suitable Housing: P24011P2~P24011P20

配合塑膠

Applicable Wire: AWG# 28~32

適用電線

Square Contact Pin: $0.20 \pm 0.02\text{mm}$

方型針

Packing: Tube pack - MS24011P2~MS24011P20

包裝數量 管裝

Reel pack - MS24011P2~MS24011P20 RF:A

捲裝

PERFORMANCE

Electrical Rating: AC/DC 50V 1A

額定電壓電流

Insulation Resistance: 100MΩ min.

絕緣阻抗

Withstanding Voltage: 500V AC/minute

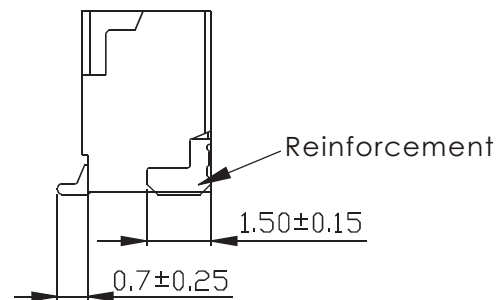
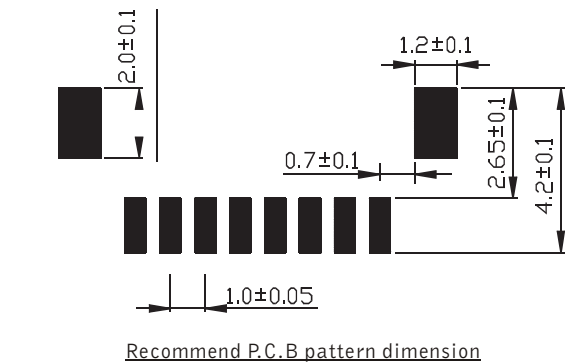
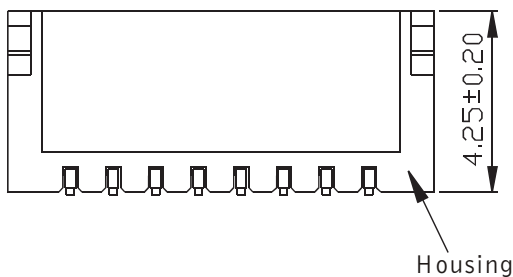
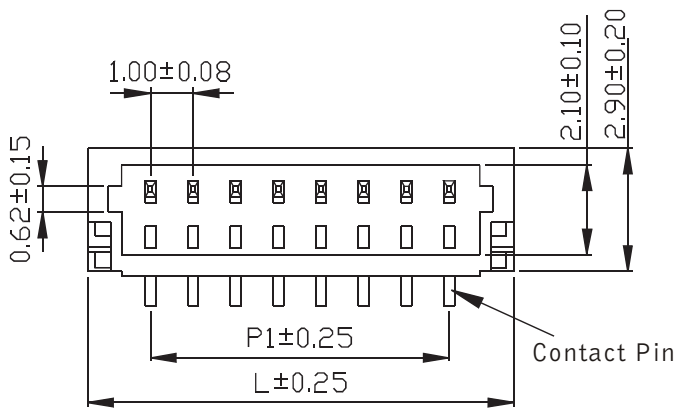
耐電壓

Temperature Range: $-25^{\circ}\text{C} \sim +85^{\circ}\text{C}$

適用溫度



1.0mm



Unit: mm

Part No.	POS.	L	P1	Pack.	Part No.	POS.	L	P1	Pack.
MS24011P2	2	4.00	1.00	135	MS24011P10	10	12.00	9.00	45
MS24011P3	3	5.00	2.00	109	MS24011P11	11	13.00	10.00	42
MS24011P4	4	6.00	3.00	91	MS24011P12	12	14.00	11.00	39
MS24011P5	5	7.00	4.00	78	MS24011P13	13	15.00	12.00	36
MS24011P6	6	8.00	5.00	68	MS24011P14	14	16.00	13.00	34
MS24011P7	7	9.00	6.00	60	MS24011P15	15	17.00	14.00	32
MS24011P8	8	10.00	7.00	55	MS24011P20	20	22.00	19.00	25
MS24011P9	9	11.00	8.00	50					

24011 Wire to Board Type Connectors - SMT Type

CONNECTOR

Part No.: **MS24011P2R~MS24011P20R**

產品編號

MS24011P2R~MS24011P20R RF:A

Material: Housing: Nylon 94V-0

材質 塑膠座

Contact Pin: Brass, Tin-plated

接觸針 黃銅, 鍍錫

Suitable Contact: 24011PS-2

配合端子

Suitable Housing: P24011P2~P24011P20

配合塑膠

Applicable Wire: AWG# 28~32

適用電線

Square Contact Pin: $0.20 \pm 0.02\text{mm}$

方型針

Packing: Tube pack - MS24011P2R~MS24011P20R

包裝數量 管裝

Reel pack -MS24011P2R~MS24011P20R RF:A

捲裝

PERFORMANCE

Electrical Rating: AC/DC 50V 1A

額定電壓電流

Insulation Resistance: 100MΩ min.

絕緣阻抗

Withstanding Voltage: 500V AC/minute

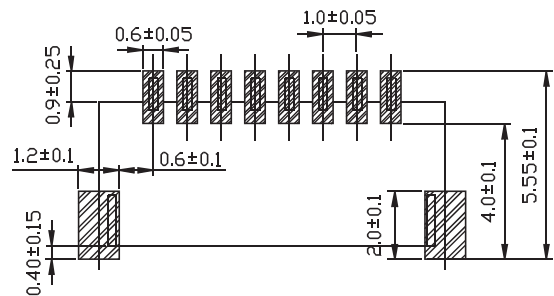
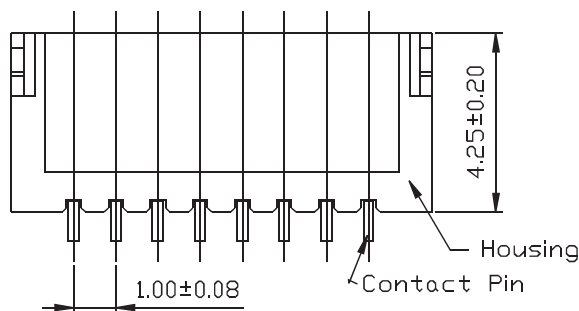
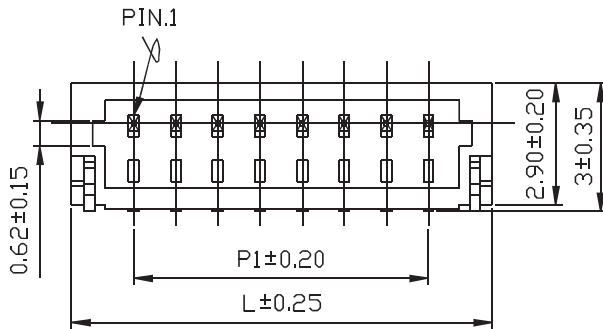
耐電壓

Temperature Range: $-25^{\circ}\text{C} \sim +85^{\circ}\text{C}$

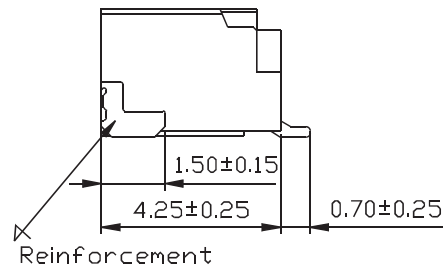
適用溫度



1.0mm



P.C.B LAYOUT



Unit: mm

Part No.	POS.	L	P1	Pack.	Part No.	POS.	L	P1	Pack.
MS24011P2R	2	4.00	1.00	135	MS24011P10R	10	12.00	9.00	45
MS24011P3R	3	5.00	2.00	109	MS24011P11R	11	13.00	10.00	42
MS24011P4R	4	6.00	3.00	91	MS24011P12R	12	14.00	11.00	39
MS24011P5R	5	7.00	4.00	78	MS24011P13R	13	15.00	12.00	36
MS24011P6R	6	8.00	5.00	68	MS24011P14R	14	16.00	13.00	34
MS24011P7R	7	9.00	6.00	60	MS24011P15R	15	17.00	14.00	32
MS24011P8R	8	10.00	7.00	55	MS24011P20R	20	22.00	19.00	25
MS24011P9R	9	11.00	8.00	50					

HOUSING

Part No.: **P24011P2~P24011P16**

產品編號

Material: P.B.T 94V-0

材質

Suitable Contact: 24011PS-2

配合端子

Suitable Connector: MS24011P2~MS24011P20

配合公座

MS24011P2~MS24011P20 RF:A

MS24011P2R~MS24011P20R

MS24011P2R~MS24011P20R RF:A

Applicable Wire: AWG# 28~32

適用電線

PERFORMANCE

Electrical Rating: AC/DC 50V 1A
額定電壓電流

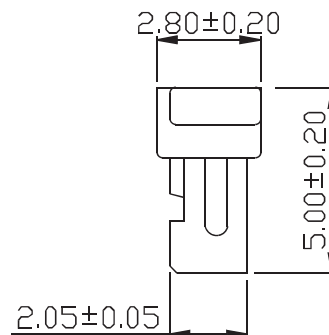
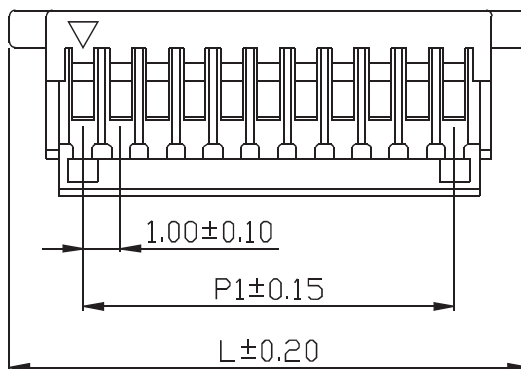
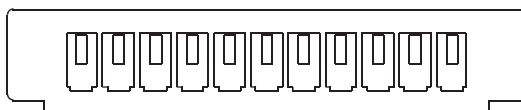
Insulation Resistance: 500MΩ min.
絕緣阻抗

Withstanding Voltage: 500V AC/minute
耐電壓

Temperature Range: -25°C~+85°C
適用溫度



1.0mm



Unit: mm

Part No.	POS.	L	P1	Pack.	Part No.	POS.	L	P1	Pack.
P24011P2	2	5.00	1.00	1000	P24011P10	10	13.00	9.00	1000
P24011P3	3	6.00	2.00	1000	P24011P11	11	14.00	10.00	1000
P24011P4	4	7.00	3.00	1000	P24011P12	12	15.00	11.00	1000
P24011P5	5	8.00	4.00	1000	P24011P13	13	16.00	12.00	1000
P24011P6	6	9.00	5.00	1000	P24011P14	14	17.00	13.00	1000
P24011P7	7	10.00	6.00	1000	P24011P15	15	18.00	14.00	1000
P24011P8	8	11.00	7.00	1000	P24011P16	16	19.00	15.00	1000
P24011P9	9	12.00	8.00	1000					

24011 Wire to Board Connectors



HOUSING - Double Rows

Part No.: PD24011P10~PD24011P25

產品編號

Material: P.B.T 94V-0

材質

Suitable Contact: 24011PS-2

配合端子

Suitable Connector: MDS24011P10~MDS24011P25

配合公座

MDS24011P10R~MDS24011P25R

Applicable Wire: AWG# 28~32

適用電線

PERFORMANCE

Electrical Rating: AC/DC 50V 1A
額定電壓電流

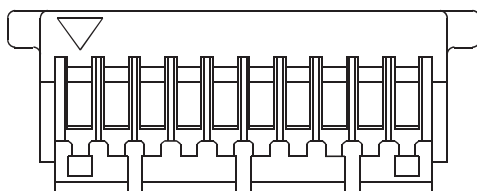
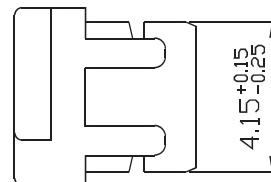
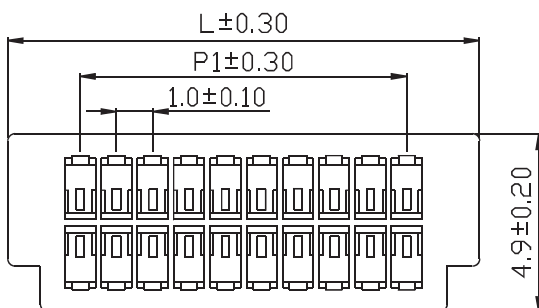
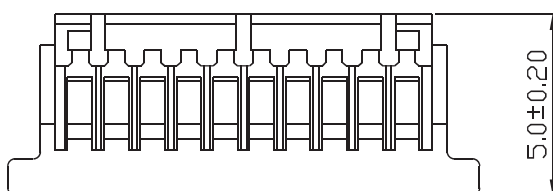
Insulation Resistance: 100MΩ min.
絕緣阻抗

Withstanding Voltage: 500V AC/minute
耐電壓

Temperature Range: -25°C~+85°C
適用溫度



1.0mm



Unit: mm

Part No.	POS.	L	P1	L1	Pack.
PD24011P10	2X10	13.00	9.00	11.20	1000
PD24011P15	2X15	18.00	14.00	16.20	1000
PD24011P20	2X20	23.00	19.00	21.20	1000
PD24011P25	2X25	28.00	24.00	26.20	1000

24011 Wire to Board Connectors

TERMINAL

Part No.: **24011PS-2**

產品編號

Thickness: 0.12mm

銅板厚度

Material: Phosphor Bronze

材質 磷青銅

Surface Treatment: Tin-plated

表面處理 鍍錫

Applicable Wire: AWG# 28~32

適用電線

Insulation O.D.: 0.40~0.80mm

線皮外徑

Suitable Housing: P24011P2~P24011P20 PD24011P10~PD24011P25

配合塑膠

Suitable Connector: MS24011P2~MS24011P20 MS24011P2~MS24011P20 RF:A

配合公座

MS24011P2R~MS24011P20R MS24011P20R~MS24011P20RRF:A

MDS24011P10~MDS24011P25

MDS24011P10R~MDS24011P25R

Packing: 20,000PCS(Reel)

包裝數量

PERFORMANCE

Electrical Rating: AC/DC 50V 1A

額定電壓電流

Insulation Resistance: 100MΩ min.

絕緣阻抗

Withstanding Voltage: 500V AC/minute

耐電壓

Temperature Range: -25°C~+85°C

適用溫度



1.0mm

