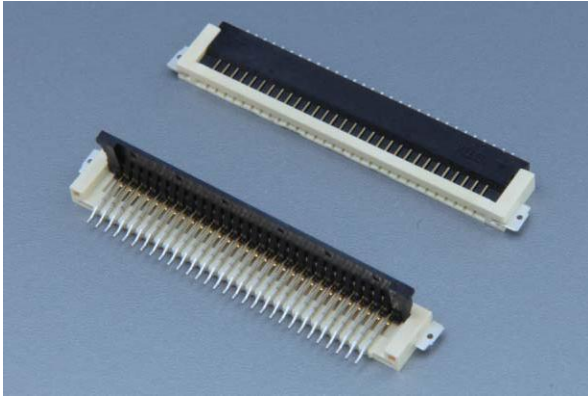


# 24028



## Pitch 1.0mm FPC Connectors - SMT Type



### PERFORMANCE

Electrical Rating: AC/DC 50V 0.5A

額定電壓電流

Insulation Resistance: 500MΩ min.

絕緣阻抗

Withstanding Voltage: 500V AC/minute

耐電壓

Temperature Range: -40°C~+85°C

適用溫度



1.0mm

### CONNECTOR - Through Board Type

Part No.: MSB24028P30

產品編號

Material: Housing: LCP 94V-0

材質

塑膠座

Contact Pin: Brass

接觸針

黃銅

Clamshell: NYLON 94V-0

旋轉蓋

Reinforcement: Brass

補強片

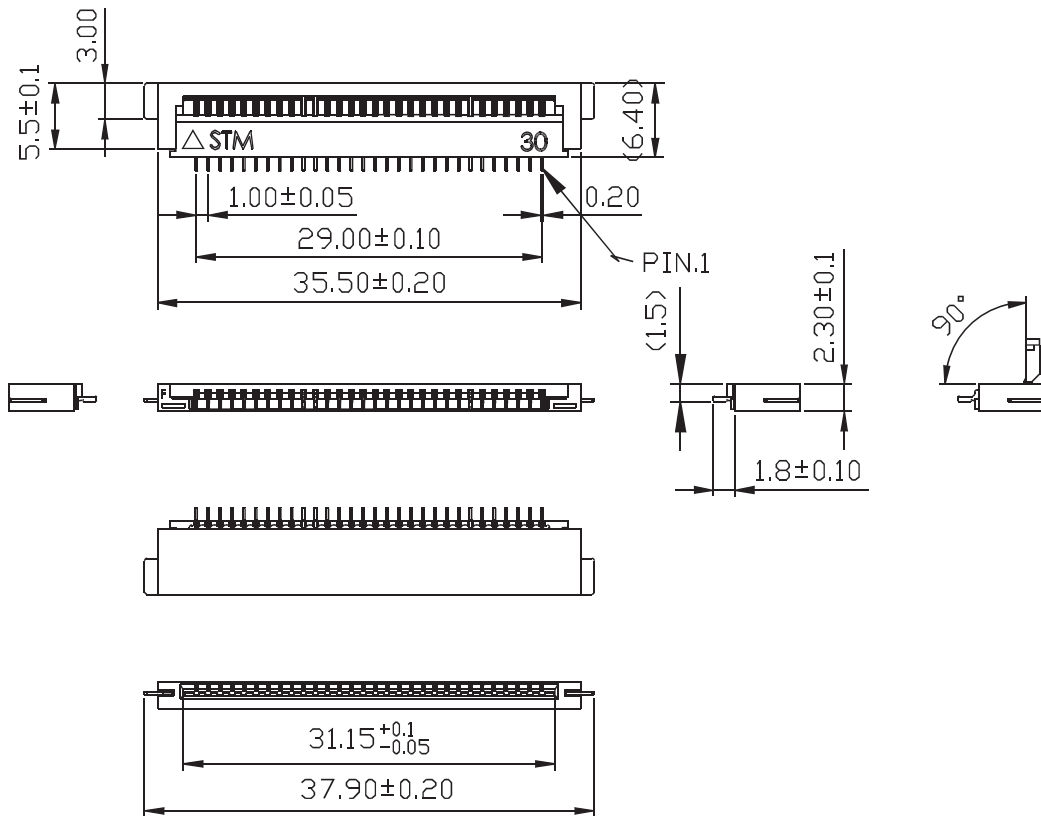
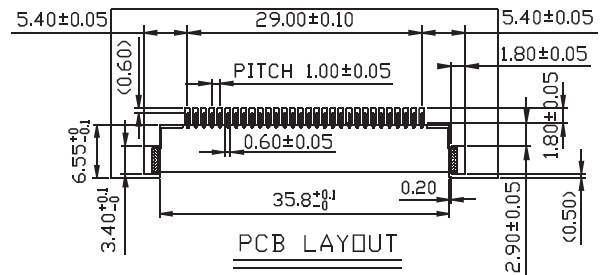
黃銅

Applicable Wire: FPC: 0.30mm thick flat cable

適用電線

Packing: 1,500PCS (REEL)

包裝數量



TOLERANCE	
.0	±0.25
.00	±0.15
.000	±0.05

Note: The coplanarity of contact pins, grounding, and reinforcement must be 0.10mm max.

接觸針、接地針與補強片之共面度須為0.10mm Max.

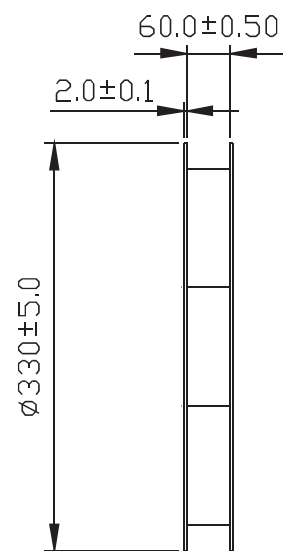
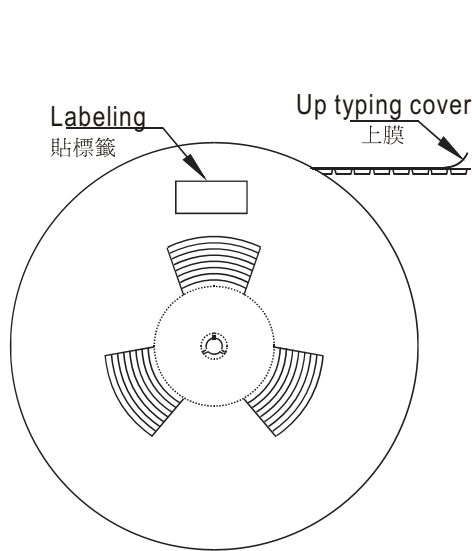
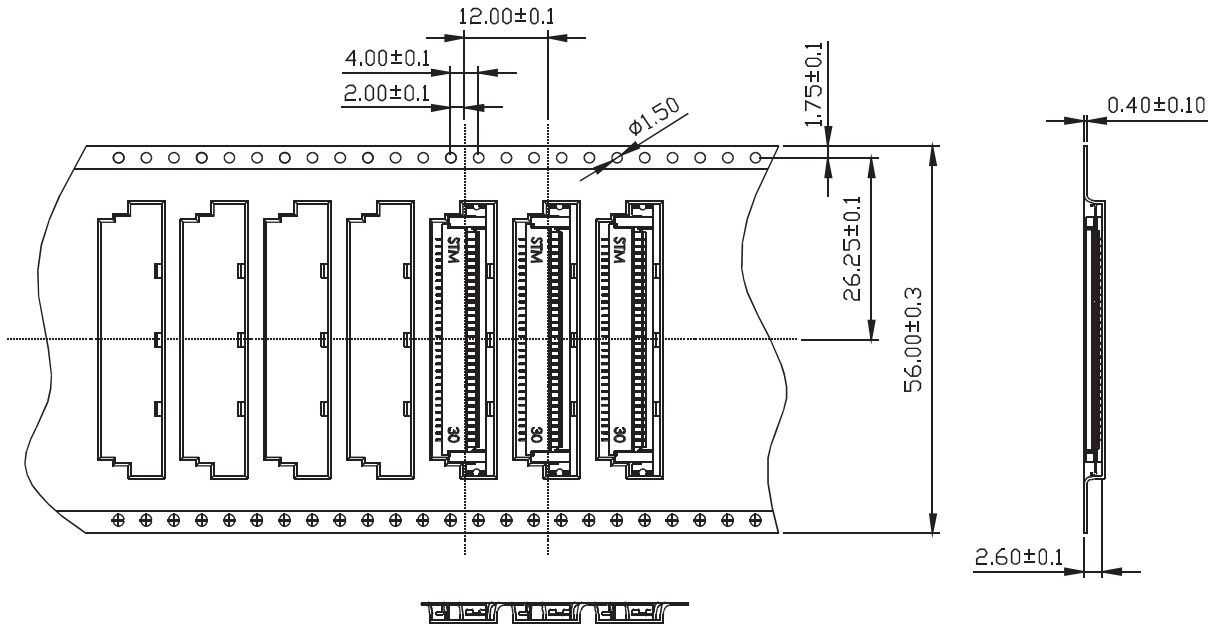
Behave in conformity with continual product development policy, SinSheng (STM) reserves the right of specification changing of contents described in this catalogue at any time and without prior notice. Please contact the sales department nearby for most updated information. 由於產品持續開發的政策，信盛(STM)保留隨時變更本目錄所述之規格且不需提前通知之權利。請聯繫業務處查詢最新的產品資訊。

### Embossed Carrier Tape Dimensional Drawing

MS24028P30



1.0mm



Onward direction of finished product  
 成品出料方向