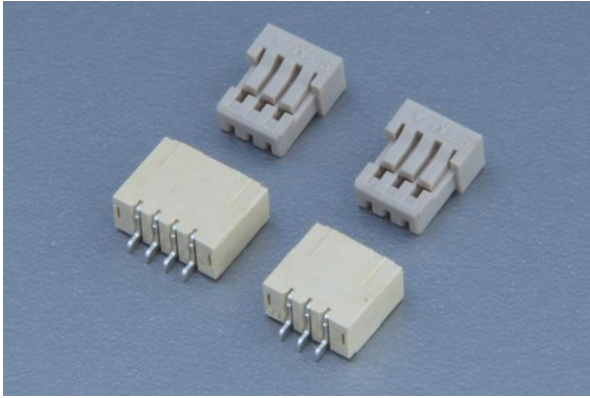


24033



Pitch 1.0mm Wire to Board Connectors - SMT Type



PERFORMANCE

Electrical Rating: AC/DC 125V 1A

額定電壓電流

Insulation Resistance: 100MΩ min.

絕緣阻抗

Withstanding Voltage: 500V AC/minute

耐電壓

Temperature Range: -25°C~+85°C

適用溫度



1.0mm

CONNECTOR

Part No.: MSA24033P3~MSA24033P4

產品編號

Material: Housing: LCP 94V-0

材質 塑膠座

Contact Pin: Brass

接觸針 黃銅

Reinforcement: Stainless Steel

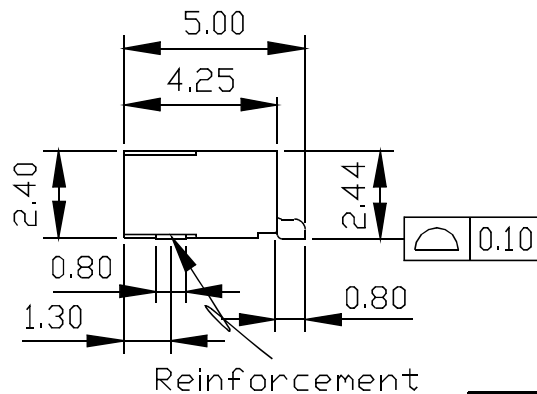
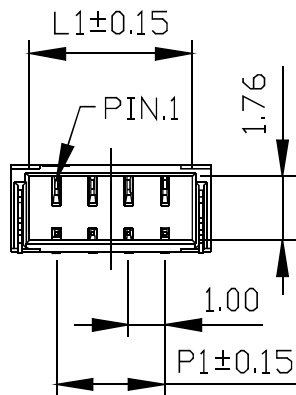
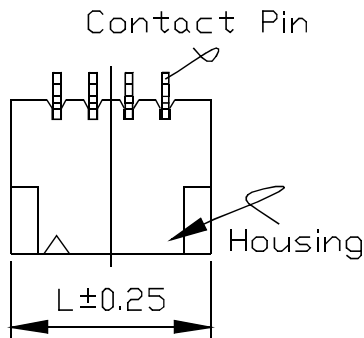
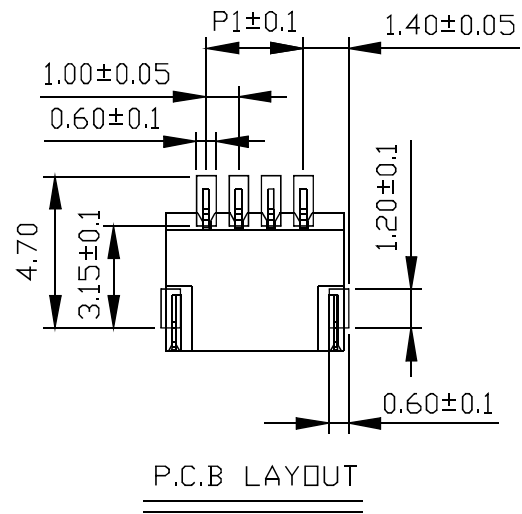
補強片 不銹鋼

Applicable Wire: AWG#28~32

適用電線

Packing: 2,000PCS (REEL)

包裝數量



Unit: mm

Part No.	POS.	L	L1	P1
MSA24033P3	3	4.50	3.50	2.00
MSA24033P4	4	5.50	4.50	3.00

TOLERANCE	
.0	±0.25
.00	±0.15
.000	±0.0

Behave in conformity with continual product development policy, Sin Sheng (STM) reserves the right of specification changing of contents described in this catalogue at any time and without prior notice. Please contact the sales department nearby for most updated information.
 由於產品持續開發的政策, 信盛(STM)保留隨時變更本目錄所述之規格且不需提前通知的權利, 請建繁業務處查詢最新的產品資訊。

24033

Wire to Board Connectors - SMT Type



CONNECTOR

Part No.: **MSA24033P3~MSA24033P4 RF:A**

產品編號

Material: **Housing: LCP 94V-0**

材質

塑膠座

Contact Pin: **Brass**

接觸針

黃銅

Reinforcement: **Stainless Steel**

補強片

不銹鋼

Applicable Wire: **AWG#28**

適用電線

Packing: **2,000PCS (REEL)**

包裝數量

PERFORMANCE

Electrical Rating: **AC/DC 125V 1A**

額定電壓電流

Insulation Resistance: **100MΩ min.**

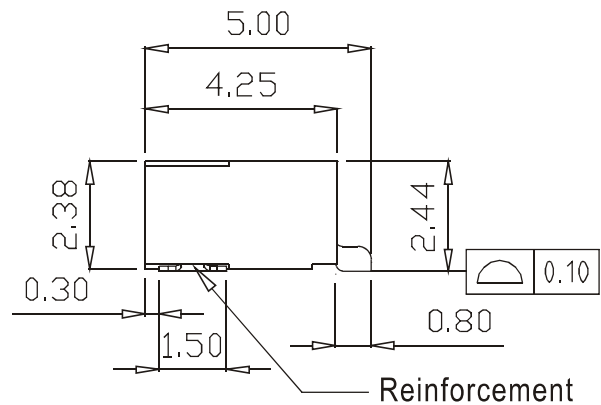
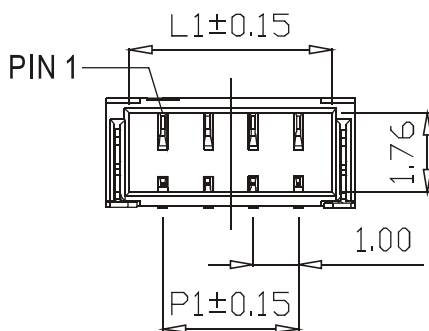
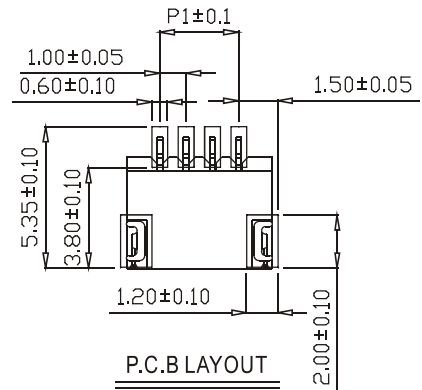
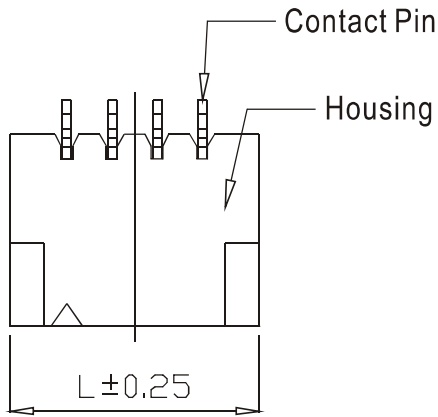
絕緣阻抗

Withstanding Voltage: **500V AC/minute**

耐電壓

Temperature Range: **-25°C~+85°C**

適用溫度



Unit: mm

Part No.	POS.	L	L1	P1
MSA24033P3	3	4.50	3.50	2.00
MSA24033P4	4	5.50	4.50	3.00

TOLERANCE	
.0	±0.25
.00	±0.15
.000	±0.0

0.5mm

24033 Wire to Board Connectors - SMT Type

CONNECTOR

Part No.: **MSA24033P3 RF:B**

產品編號

Material: **Housing: LCP 94V-0**

材質

塑膠座

Contact Pin: **Brass**

接觸針

黃銅

Reinforcement: **Stainless Steel**

補強片

不銹鋼

Applicable Wire: **AWG#28**

適用電線

Packing: **2,000PCS (REEL)**

包裝數量

PERFORMANCE

Electrical Rating: **AC/DC 125V 1A**

額定電壓電流

Insulation Resistance: **100MΩ min.**

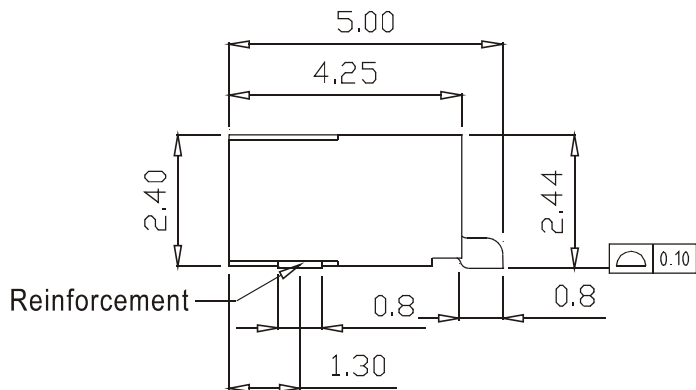
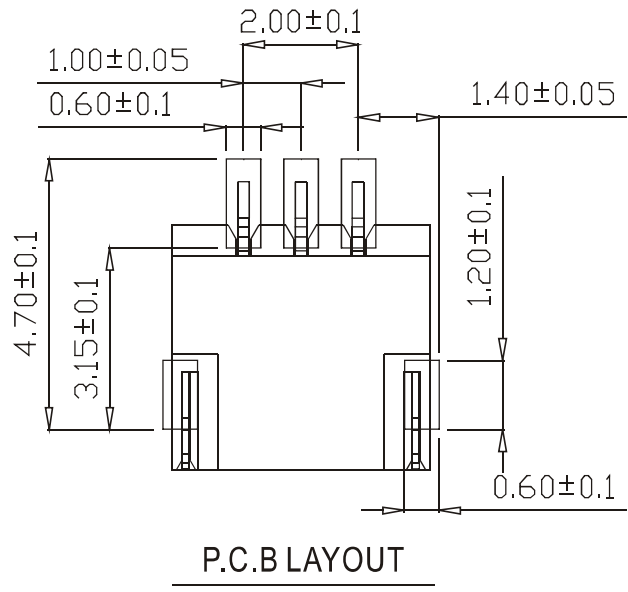
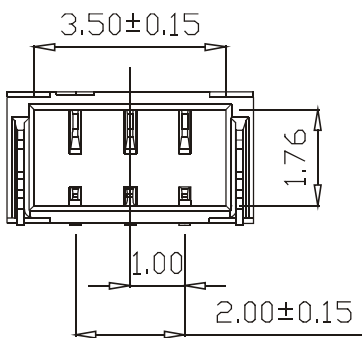
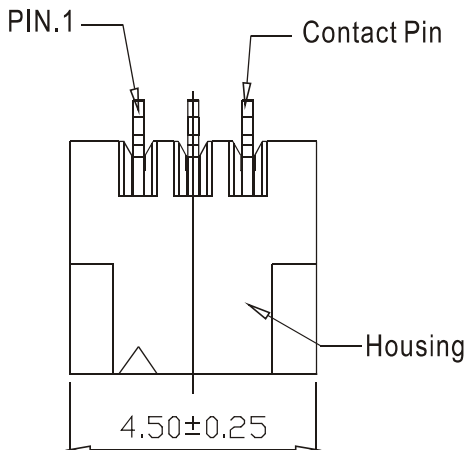
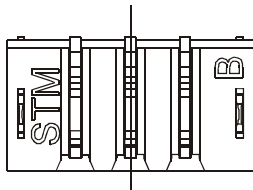
絕緣阻抗

Withstanding Voltage: **500V AC/minute**

耐電壓

Temperature Range: **-25°C~+85°C**

適用溫度



TOLERANCE	
.0	±0.25
.00	±0.15
.000	±0.0

24033 Wire to Board Connectors - SMT Type

HOUSING

Part No.: PK24033P3~PK24033P8

產品編號

Material: Housing: NYLON 94V-0

材質 塑膠座

Suitable Connector: MSA24033 Series

配合塑膠

MSA24039 Series

Suitable Terminal: 24033PS

配合端子

Applicable Wire: AWG#28

適用電線

Packing: 3P~4P=1,000pcs/bag

包裝數量

6P~8P=500pcs/bag

PERFORMANCE

Electrical Rating: AC/DC 125V 1A

額定電壓電流

Insulation Resistance: 100MΩ min.

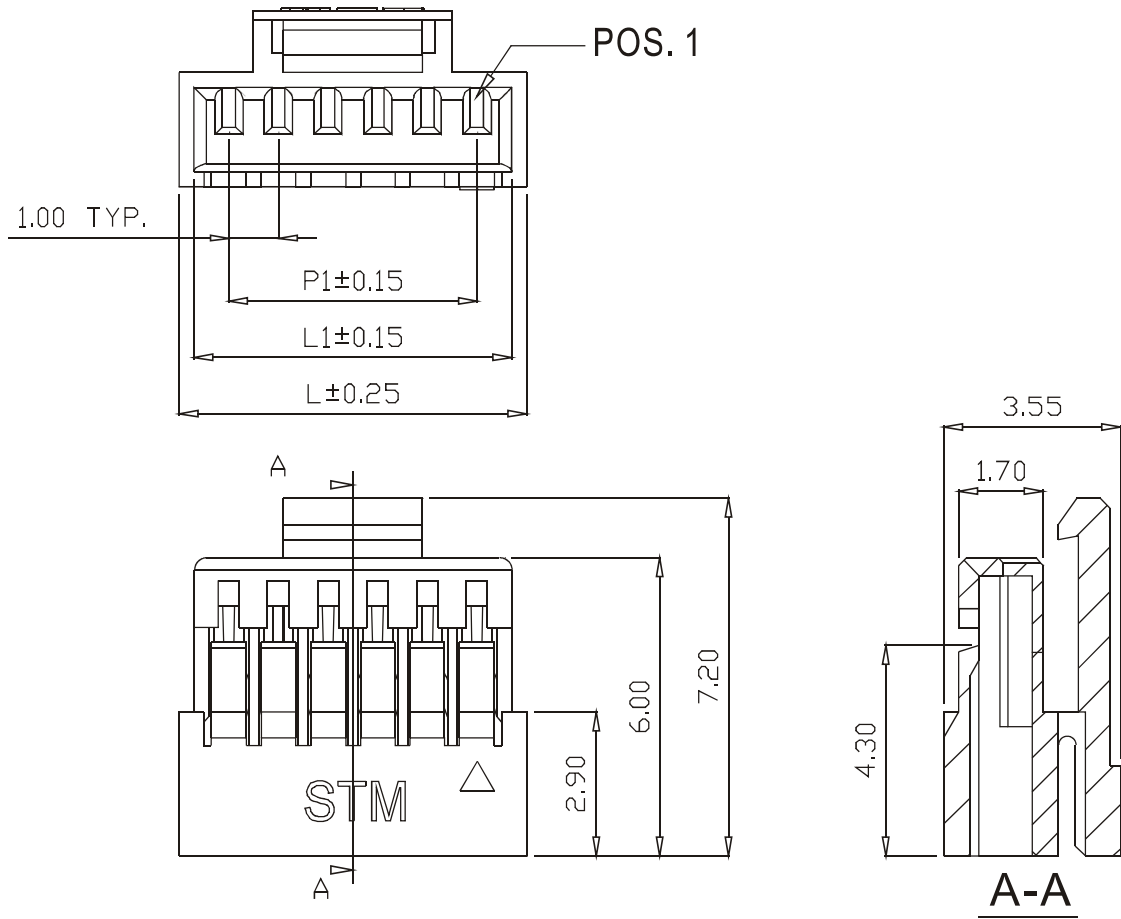
絕緣阻抗

Withstanding Voltage: 500V AC/minute

耐電壓

Temperature Range: -25°C~+85°C

適用溫度



Unit: mm

Part No.	POS.	L	L1	P1
PK24033P3	3	4.00	3.40	2.00
PK24033P4	4	5.00	4.40	3.00
PK24033P6	6	7.00	6.40	5.00
PK24033P8	8	9.00	8.40	7.00

24033

Wire to Board Connectors - SMT Type

TERMINAL

Part No.: 24033PS

產品編號

Material: Phos

材質 塑膠座

Suitable Connector: MSA24033 Series

配合端子

MSA24039 Series

Suitable Housing: PK24033P3~PK24033P8

配合塑膠

Applicable Wire: AWG#28~32 (O/D: 0.65~0.92mm)

適用電線

Packing: 20,000pcs/reel

包裝數量

捲

PERFORMANCE

Electrical Rating: AC/DC 125V 1A

額定電壓電流

Insulation Resistance: 100MΩ min.

絕緣阻抗

Withstanding Voltage: 500V AC/minute

耐電壓

Temperature Range: -25°C~+85°C

適用溫度

