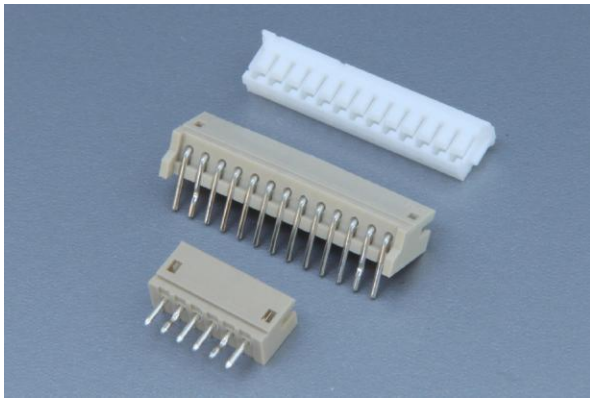


2405



Pitch 1.5mm Wire to Board Connectors - SMT Type



PERFORMANCE

Electrical Rating: AC/DC 50V 1A
 額定電壓電流
 Insulation Resistance: 500MΩ min.
 絕緣阻抗
 Withstanding Voltage: 500V AC/minute
 耐電壓
 Temperature Range: -25°C~+85°C
 適用溫度



1.5mm

CONNECTOR - Top Entry

Part No.: MS24052~MS240513

產品編號

Material: Housing: Nylon 94V-0

材質 塑膠座

Contact Pin: Brass, Tin-plated

接觸針 黃銅 鍍錫

Suitable Contact: 2405PS-2

配合端子

Suitable Housing: P24052~P240513

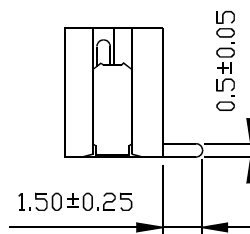
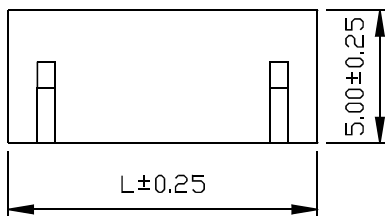
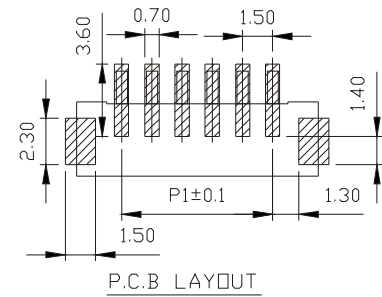
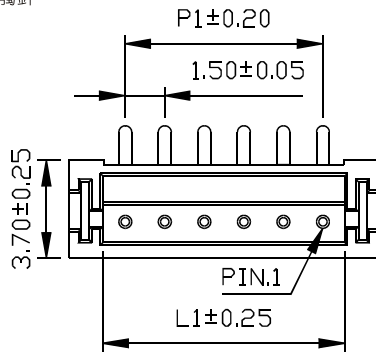
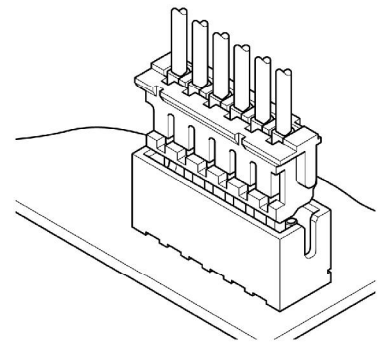
配合塑膠

Applicable Wire: AWG# 26~30

適用電線

Round Contact Pin: $\phi 0.50 \pm 0.02\text{mm}$

圓型接觸針



TOLERANCE	
X.	±0.35
X.X	±0.25
X.XX	±0.15
X.XXX	±0.05

Unit: mm

Part No.	POS.	L	L1	P1	Pack.	Part No.	POS.	L	L1	P1	Pack.
MS24052	2	6.00	3.60	1.50	1000	MS24058	8	15.00	12.60	10.50	1000
MS24053	3	7.50	5.10	3.00	1000	MS24059	9	16.50	14.10	12.00	1000
MS24054	4	9.00	6.60	4.50	1000	MS240510	10	18.00	15.60	13.50	1000
MS24055	5	10.50	8.10	6.00	1000	MS240511	11	19.50	17.10	15.00	1000
MS24056	6	12.00	9.60	7.50	1000	MS240512	12	21.00	18.60	16.50	1000
MS24057	7	13.50	11.10	9.00	1000	MS240513	13	22.50	20.10	18.00	1000

Behave in conformity with continual product development policy, SinSheng (STM) reserves the right of specification changing of contents described in this catalogue at any time and without prior notice. Please contact the sales department nearby for most updated information.
 由於產品持續開發的政策, 信盛(STM)保留隨時變更本目錄所述之規格且不需提前通知的權利。請連繫業務處查詢最新的產品資訊。

2405 Wire to Board Connectors - SMT Type

CONNECTOR - Side Entry

Part No.: **MS24052~MS240513 RF:A**

產品編號

Material: Housing: Nylon 94V-0

材質

塑膠座

Contact Pin: Brass, Tin-plated

接觸針

黃銅

鍍錫

Suitable Contact: 2405PS-2

配合端子

Suitable Housing: P24052~P240513

配合塑膠

Applicable Wire: AWG# 26~32

適用電線

Round Contact Pin: $\phi 0.50 \pm 0.02\text{mm}$

圓型接觸針

PERFORMANCE

Electrical Rating: AC/DC 50V 1A

額定電壓電流

Insulation Resistance: 500M Ω min.

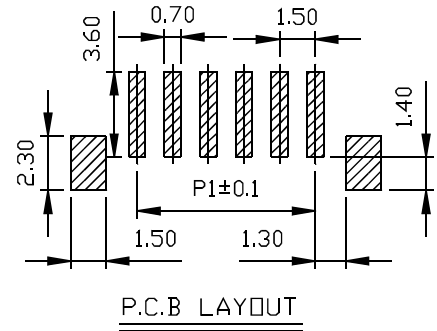
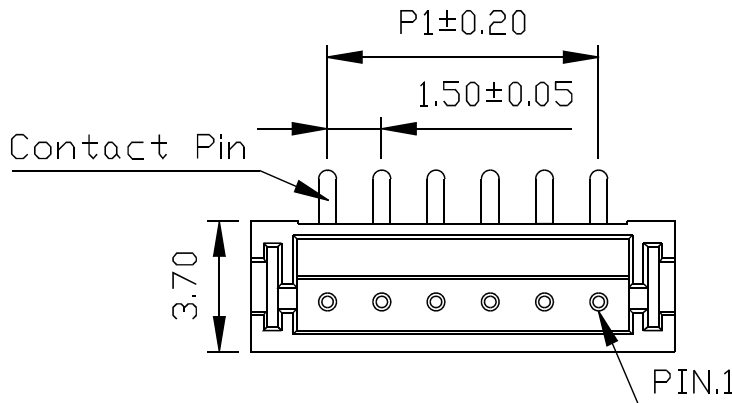
絕緣阻抗

Withstanding Voltage: 500V AC/minute

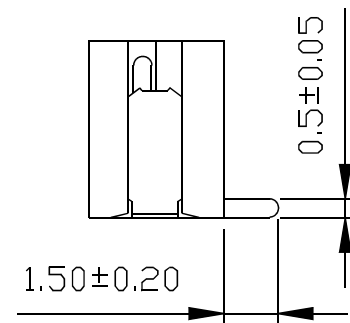
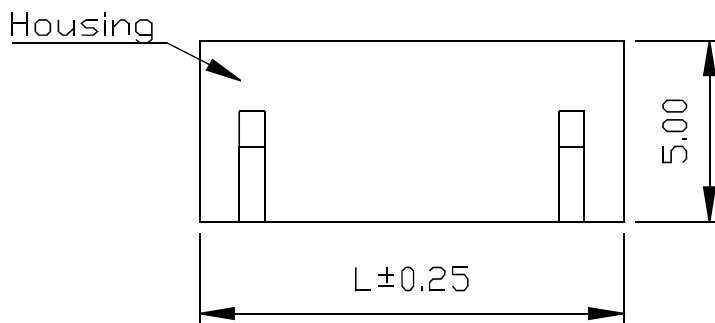
耐電壓

Temperature Range: -25°C~+85°C

適用溫度



TOLERANCE	
X.	±0.35
X.X	±0.25
X.XX	±0.15
X.XXX	±0.05



Unit: mm

Part No.	RF	POS.	L	P1	Pack.	Part No.	RF	POS.	L	P1	Pack.
MS24052	A	2	6.00	1.50	1000	MS24058	A	8	15.00	10.50	1000
MS24053	A	3	7.50	3.00	1000	MS24059	A	9	16.50	12.00	1000
MS24054	A	4	9.00	4.50	1000	MS240510	A	10	18.00	13.50	1000
MS24055	A	5	10.50	6.00	1000	MS240511	A	11	19.50	15.00	1000
MS24056	A	6	12.00	7.50	1000	MS240512	A	12	21.00	16.50	1000
MS24057	A	7	13.50	9.00	1000	MS240513	A	13	22.50	18.00	1000

1.5mm

2405 Wire to Board Connectors - SMT Type

CONNECTOR - Side Entry

Part No.: **MS24052R~MS240513R**

產品編號

Material: Housing: Nylon 94V-0

材質

塑膠座

Contact Pin: Brass, Tin-plated

接觸針

黃銅

鍍錫

Suitable Contact: 2405PS-2

配合端子

Suitable Housing: P24052~P240513

配合塑膠

Applicable Wire: AWG# 26~32

適用電線

Round Contact Pin: $\phi 0.50 \pm 0.02\text{mm}$

圓型接觸針

PERFORMANCE

Electrical Rating: AC/DC 50V 1A

額定電壓電流

Insulation Resistance: 500M Ω min.

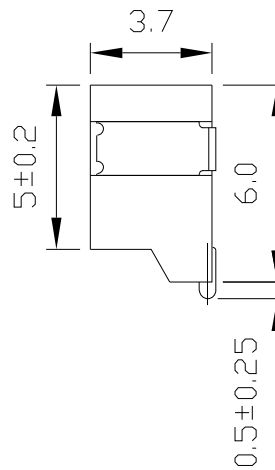
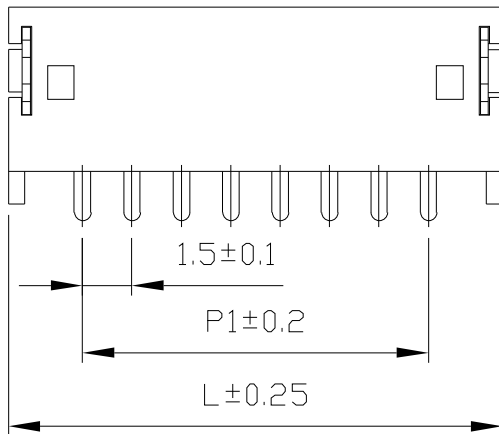
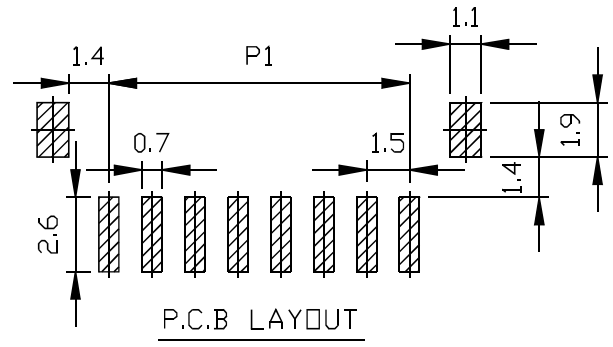
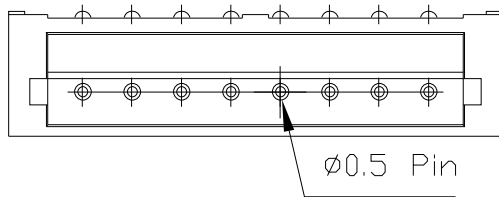
絕緣阻抗

Withstanding Voltage: 500V AC/minute

耐電壓

Temperature Range: -25°C~+85°C

適用溫度



TOLERANCE	
X.	±0.35
X.X	±0.25
X.XX	±0.15
X.XXX	±0.05

Unit: mm

Part No.	POS.	L	P1	Pack.	Part No.	POS.	L	P1	Pack.
MS24052R	2	6.00	1.50	1000	MS24058R	8	15.00	10.50	1000
MS24053R	3	7.50	3.00	1000	MS24059R	9	16.50	12.00	1000
MS24054R	4	9.00	4.50	1000	MS240510R	10	18.00	13.50	1000
MS24055R	5	10.50	6.00	1000	MS240511R	11	19.50	15.00	1000
MS24056R	6	12.00	7.50	1000	MS240512R	12	21.00	16.50	1000
MS24057R	7	13.50	9.00	1000	MS240513R	13	22.50	18.00	1000

1.5mm

2405 Wire to Board Connectors

CONNECTOR - Top Entry

Part No.: M24052~M240513

產品編號

Material: Housing: Nylon 94V-0

材質

塑膠座

Contact Pin: Brass, Tin-plated

接觸針

黃銅

鍍錫

Suitable Contact: 2405PS-2

配合端子

Suitable Housing: P24052~P240513

配合塑膠

Applicable Wire: AWG# 26~30

適用電線

Round Contact Pin: $\phi 0.50 \pm 0.02\text{mm}$

圓型接觸針

PERFORMANCE

Electrical Rating: AC/DC 100V 1A

額定電壓電流

Insulation Resistance: 500M Ω min.

絕緣阻抗

Withstanding Voltage: 500V AC/minute

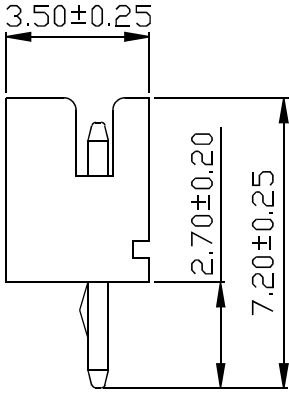
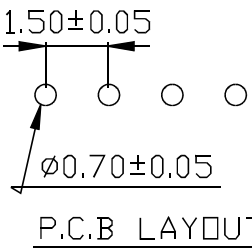
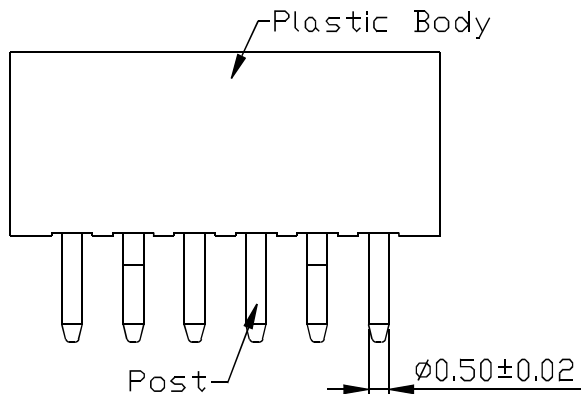
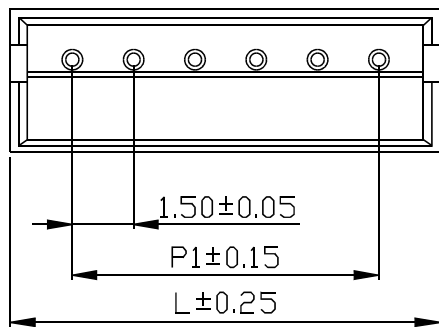
耐電壓

Temperature Range: -25°C~+85°C

適用溫度



1.5mm



TOLERANCE	
.0	±0.25
.00	±0.15
.000	±0.08

Unit: mm

Part No.	POS.	L	P1	Pack.	Part No.	POS.	L	P1	Pack.
M24052	2	4.50	1.50	500	M24059	9	15.00	12.00	500
M24053	3	6.00	3.00	500	M240510	10	16.50	13.50	500
M24054	4	7.50	4.50	500	M240511	11	18.00	15.00	500
M24055	5	9.00	6.00	500	M240512	12	19.50	16.50	500
M24056	6	10.50	7.50	500	M240513	13	21.00	18.00	500
M24057	7	12.00	9.00	500					
M24058	8	13.50	10.50	500					

2405 Wire to Board Connectors

CONNECTOR - Top Entry

Part No.: M24052~M240513 RF:D

產品編號

Material: Housing: Nylon 94V-0

材質

塑膠座

Contact Pin: Brass, Tin-plated

接觸針

黃銅

鍍錫

Suitable Contact: 2405PS-2

配合端子

Suitable Housing: P24052~P240513

配合塑膠

Applicable Wire: AWG# 26~30

適用電線

Round Contact Pin: $\phi 0.50 \pm 0.02\text{mm}$

圓型接觸針

PERFORMANCE

Electrical Rating: AC/DC 50V 1A

額定電壓電流

Insulation Resistance: 500M Ω min.

絕緣阻抗

Withstanding Voltage: 500V AC/minute

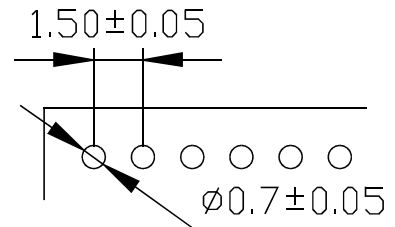
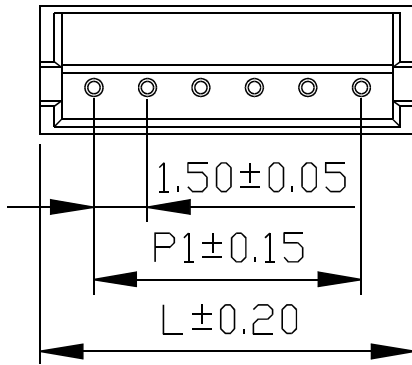
耐電壓

Temperature Range: -25°C~+85°C

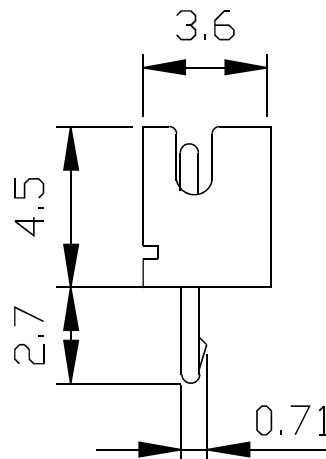
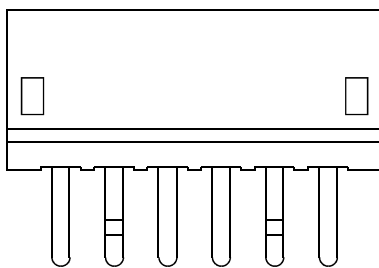
適用溫度



1.5mm



P.C.B LAYOUT



TOLERANCE	
.0	±0.25
.00	±0.15
.000	±0.08

Unit: mm

Part No.	RF	POS.	L	P1	Pack.	Part No.	RF	POS.	L	P1	Pack.
M24052	D	2	4.50	1.50	500	M24059	D	9	15.00	12.00	500
M24053	D	3	6.00	3.00	500	M240510	D	10	16.50	13.50	500
M24054	D	4	7.50	4.50	500	M240511	D	11	18.00	15.00	500
M24055	D	5	9.00	6.00	500	M240512	D	12	19.50	16.50	500
M24056	D	6	10.50	7.50	500	M240513	D	13	21.00	18.00	500
M24057	D	7	12.00	9.00	500						
M24058	D	8	13.50	10.50	500						

2405 Wire to Board Connectors



CONNECTOR - Top Entry

Part No.: M24052~M240513 RF:E

產品編號

Material: Housing: Nylon 94V-0

材質

塑膠座

Contact Pin: Brass, Tin-plated

接觸針

黃銅

鍍錫

Suitable Contact: 2405PS-2

配合端子

Suitable Housing: P24052~P240513

配合塑膠

Applicable Wire: AWG# 26~30

適用電線

Round Contact Pin: $\phi 0.50 \pm 0.02\text{mm}$

圓型接觸針

PERFORMANCE

Electrical Rating: AC/DC 100V 1A

額定電壓電流

Insulation Resistance: 500M Ω min.

絕緣阻抗

Withstanding Voltage: 500V AC/minute

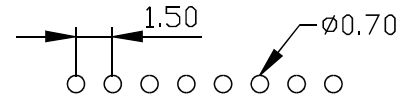
耐電壓

Temperature Range: -25°C~+85°C

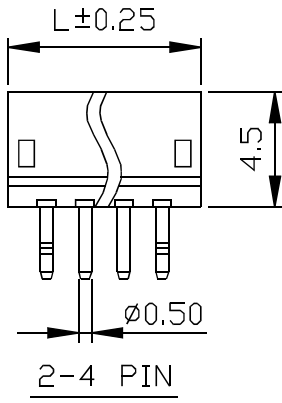
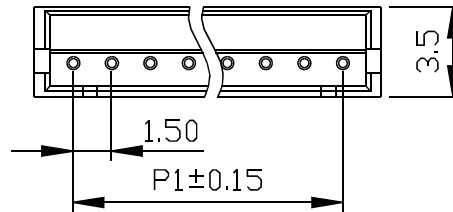
適用溫度



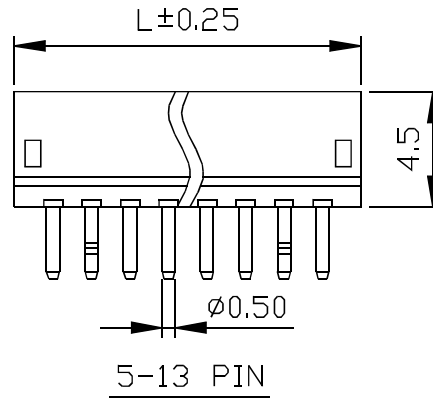
1.5mm



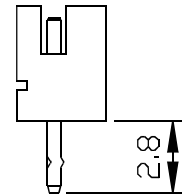
P.C.B LAYOUT



2-4 PIN



5-13 PIN



TOLERANCE	
.0	±0.25
.00	±0.15
.000	±0.08

Unit: mm

Part No.	RF	POS.	L	P1	Pack.	Part No.	RF	POS.	L	P1	Pack.
M24052	E	2	4.50	1.50	500	M24059	E	9	15.00	12.00	500
M24053	E	3	6.00	3.00	500	M240510	E	10	16.50	13.50	500
M24054	E	4	7.50	4.50	500	M240511	E	11	18.00	15.00	500
M24055	E	5	9.00	6.00	500	M240512	E	12	19.50	16.50	500
M24056	E	6	10.50	7.50	500	M240513	E	13	21.00	18.00	500
M24057	E	7	12.00	9.00	500						
M24058	E	8	13.50	10.50	500						

2405 Wire to Board Connectors

CONNECTOR - Side Entry

Part No.: M24052R~M240513R

產品編號

Material: Housing: Nylon 94V-0

材質 塑膠座

Contact Pin: Brass, Tin-plated

接觸針 黃銅, 鍍錫

Suitable Contact: 2405PS-2

配合端子

Suitable Housing: P24052~P240513

配合塑膠

Applicable Wire: AWG# 26~30

適用電線

Round Contact Pin: $\phi 0.50 \pm 0.02\text{mm}$

圓型接觸針

PERFORMANCE

Electrical Rating: AC/DC 100V 1A

額定電壓電流

Insulation Resistance: 500M Ω min.

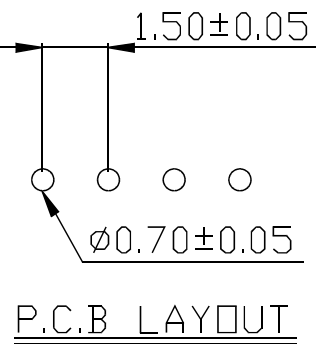
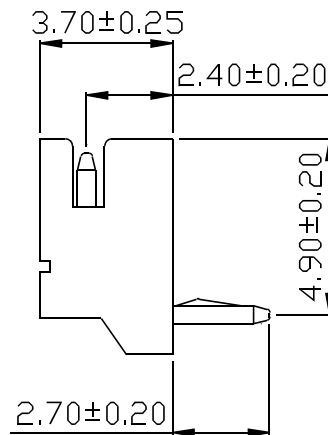
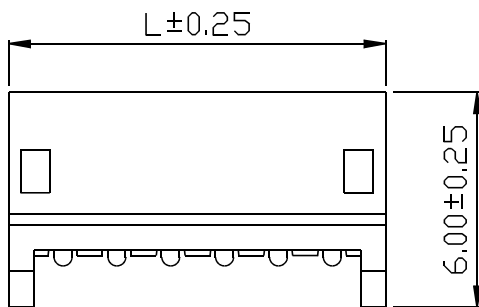
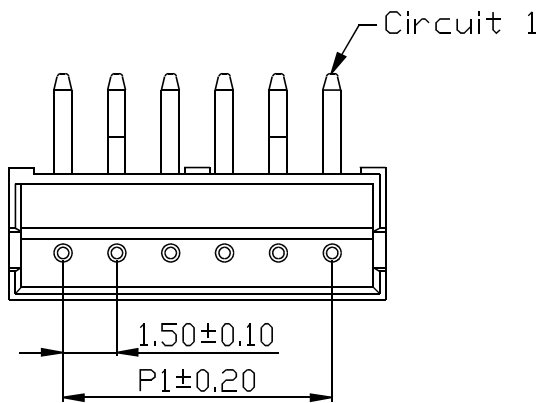
絕緣阻抗

Withstanding Voltage: 500V AC/minute

耐電壓

Temperature Range: -25°C~+85°C

適用溫度



TOLERANCE	
.0	±0.25
.00	±0.15
.000	±0.08

Unit: mm

Part No.	POS.	L	P1	Pack.	Part No.	POS.	L	P1	Pack.
M24052R	2	4.50	1.50	500	M24059R	9	15.00	12.00	500
M24053R	3	6.00	3.00	500	M240510R	10	16.50	13.50	500
M24054R	4	7.50	4.50	500	M240511R	11	18.00	15.00	500
M24055R	5	9.00	6.00	500	M240512R	12	19.50	16.50	500
M24056R	6	10.50	7.50	500	M240513R	13	21.00	18.00	500
M24057R	7	12.00	9.00	500					
M24058R	8	13.50	10.50	500					

1.5mm

2405 Wire to Board Connectors

CONNECTOR - Side Entry

Part No.: M24052R~M240513R RF:D

產品編號

Material: Housing: Nylon 94V-0

材質 塑膠座

Contact Pin: Brass, Tin-plated

接觸針 黃銅, 鍍錫

Suitable Contact: 2405PS-2

配合端子

Suitable Housing: P24052~P240513

配合塑膠

Applicable Wire: AWG# 26~30

適用電線

Round Contact Pin: $\phi 0.50 \pm 0.02\text{mm}$

圓型接觸針

PERFORMANCE

Electrical Rating: AC/DC 50V 1A

額定電壓電流

Insulation Resistance: 500M Ω min.

絕緣阻抗

Withstanding Voltage: 500V AC/minute

耐電壓

Temperature Range: -25°C~+85°C

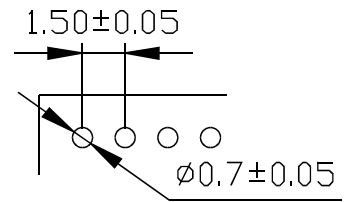
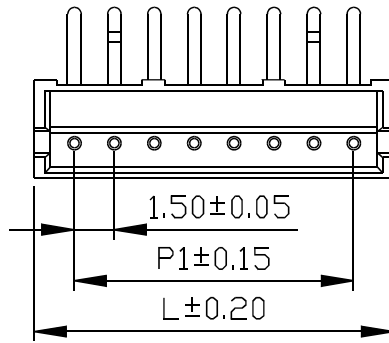
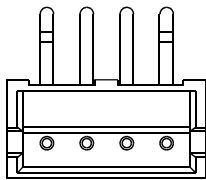
適用溫度



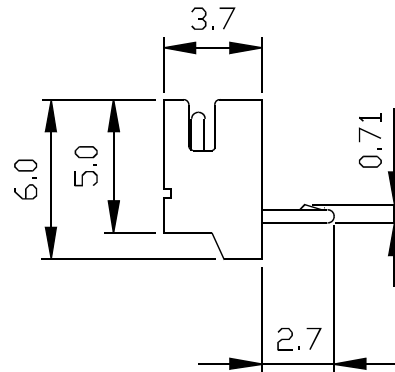
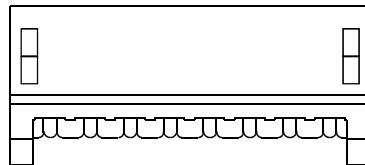
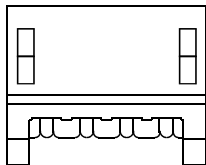
1.5mm

2~7 PIN

8~13 PIN



P.C.B LAYOUT



TOLERANCE	
.0	±0.25
.00	±0.15
.000	±0.08

Unit: mm

Part No.	RF	POS.	L	P1	Pack.	Part No.	RF	POS.	L	P1	Pack.
M24052R	D	2	4.50	1.50	1,000	M24059R	D	9	15.00	12.00	1,000
M24053R	D	3	6.00	3.00	1,000	M240510R	D	10	16.50	13.50	1,000
M24054R	D	4	7.50	4.50	1,000	M240511R	D	11	18.00	15.00	1,000
M24055R	D	5	9.00	6.00	1,000	M240512R	D	12	19.50	16.50	1,000
M24056R	D	6	10.50	7.50	1,000	M240513R	D	13	21.00	18.00	1,000
M24057R	D	7	12.00	9.00	1,000						
M24058R	D	8	13.50	10.50	1,000						

2405 Wire to Board Connectors



CONNECTOR - Side Entry

Part No.: M24052R~M240513R RF:E

產品編號

Material: Housing: Nylon 94V-0

材質 塑膠座

Contact Pin: Brass, Tin-plated

接觸針 黃銅, 鍍錫

Suitable Contact: 2405PS-2

配合端子

Suitable Housing: P24052~P240513

配合塑膠

Applicable Wire: AWG# 26~30

適用電線

Round Contact Pin: $\phi 0.50 \pm 0.02\text{mm}$

圓型接觸針

PERFORMANCE

Electrical Rating: AC/DC 100V 1A

額定電壓電流

Insulation Resistance: 500M Ω min.

絕緣阻抗

Withstanding Voltage: 500V AC/minute

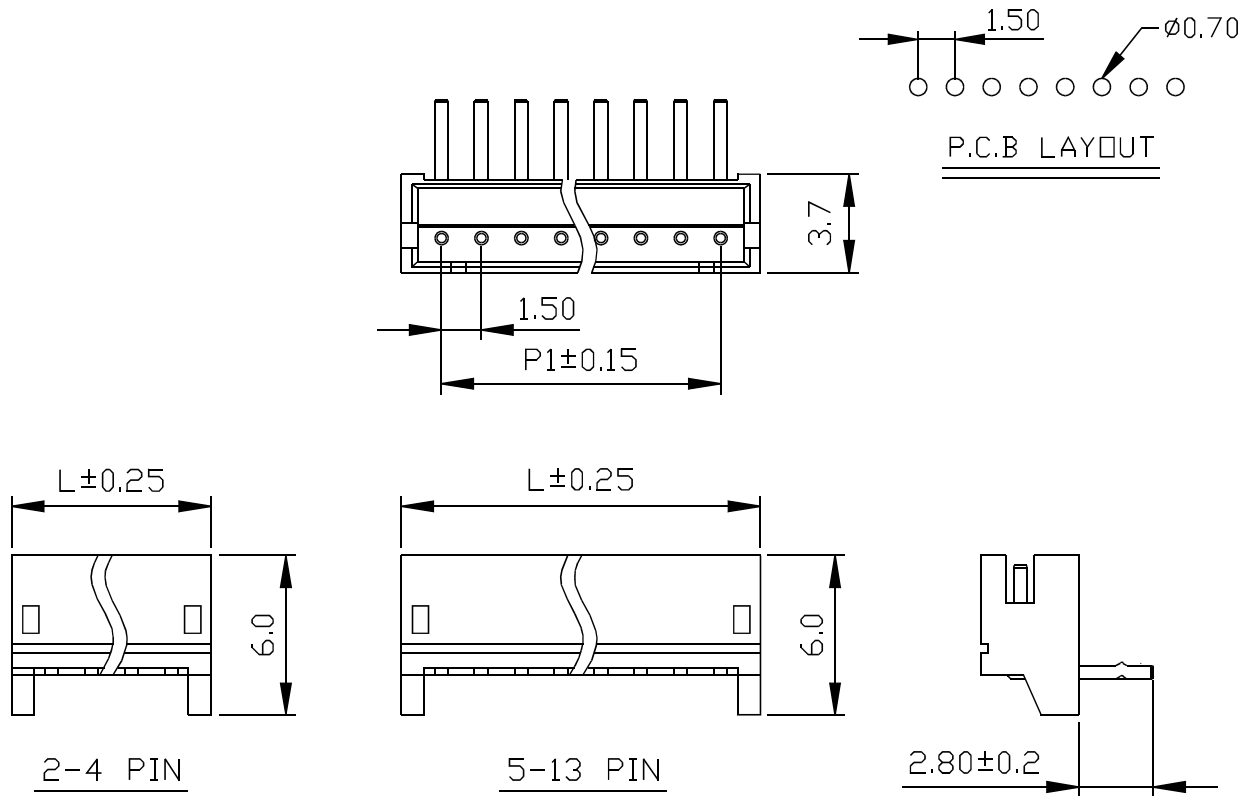
耐電壓

Temperature Range: -25°C~+85°C

適用溫度



1.5mm



TOLERANCE	
.0	±0.25
.00	±0.15
.000	±0.08

Unit: mm

Part No.	RF	POS.	L	P1	Pack.	Part No.	RF	POS.	L	P1	Pack.
M24052R	E	2	4.50	1.50	1,000	M24059R	E	9	15.00	12.00	1,000
M24053R	E	3	6.00	3.00	1,000	M240510R	E	10	16.50	13.50	1,000
M24054R	E	4	7.50	4.50	1,000	M240511R	E	11	18.00	15.00	1,000
M24055R	E	5	9.00	6.00	1,000	M240512R	E	12	19.50	16.50	1,000
M24056R	E	6	10.50	7.50	1,000	M240513R	E	13	21.00	18.00	1,000
M24057R	E	7	12.00	9.00	1,000						
M24058R	E	8	13.50	10.50	1,000						

2405 Wire to Board Connectors

CONNECTOR - Side Entry

Part No.: M24052R~M240513R RF:HE

產品編號

Material: Housing: Nylon 94V-0

材質 塑膠座

Contact Pin: Brass, Tin-plated

接觸針 黃銅, 鍍錫

Suitable Contact: 2405PS-2

配合端子

Suitable Housing: P24052~P240513

配合塑膠

Applicable Wire: AWG# 26~30

適用電線

Round Contact Pin: $\phi 0.50 \pm 0.02\text{mm}$

圓型接觸針

PERFORMANCE

Electrical Rating: AC/DC 100V 1A

額定電壓電流

Insulation Resistance: 500M Ω min.

絕緣阻抗

Withstanding Voltage: 500V AC/minute

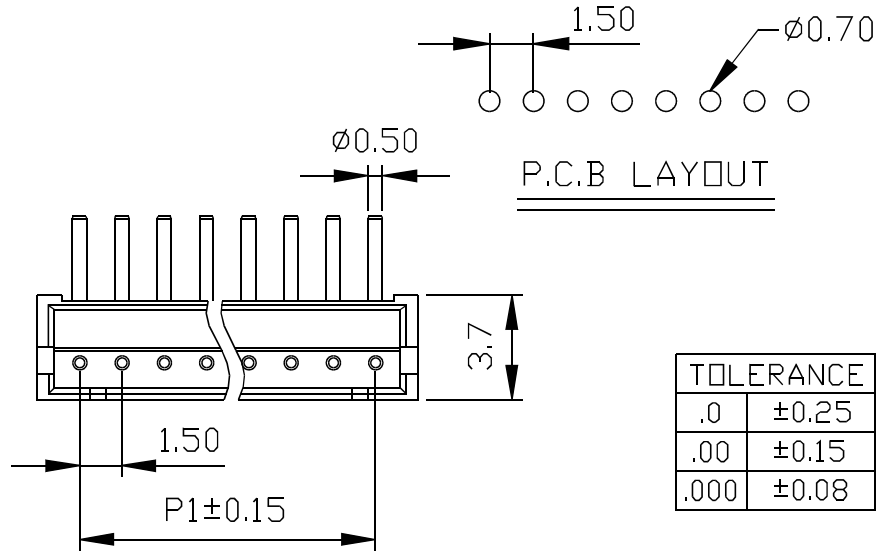
耐電壓

Temperature Range: -25°C~+85°C

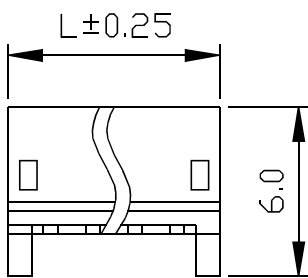
適用溫度



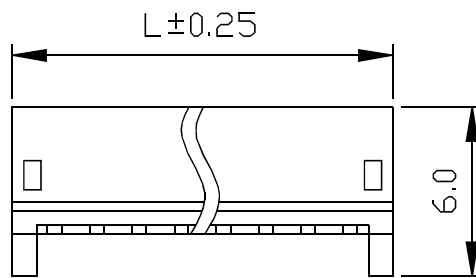
1.5mm



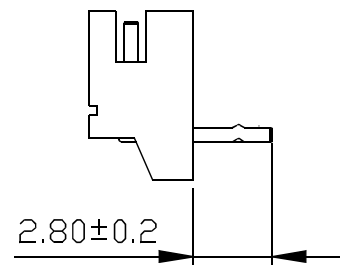
TOLERANCE	
.0	± 0.25
.00	± 0.15
.000	± 0.08



2~4 PIN



5~13 PIN



Unit: mm

Part No.	RF	POS.	L	P1	Pack.	Part No.	RF	POS.	L	P1	Pack.
M24052R	HE	2	4.50	1.50	1,000	M24059R	HE	9	15.00	12.00	1,000
M24053R	HE	3	6.00	3.00	1,000	M240510R	HE	10	16.50	13.50	1,000
M24054R	HE	4	7.50	4.50	1,000	M240511R	HE	11	18.00	15.00	1,000
M24055R	HE	5	9.00	6.00	1,000	M240512R	HE	12	19.50	16.50	1,000
M24056R	HE	6	10.50	7.50	1,000	M240513R	HE	13	21.00	18.00	1,000
M24057R	HE	7	12.00	9.00	1,000						
M24058R	HE	8	13.50	10.50	1,000						

2405 Wire to Board Connectors - SMT Type

HOUSING

Part No.: P24052~P240513

產品編號

Material: Nylon 94V-0

材質

Suitable Contact: 2405PS-2

配合端子

Suitable Connector: M24052~M240513

配合公座

M24052R~M240513R

MS24052~MS240513

MS24052R~MS240513R

Applicable Wire: AWG# 26~30

適用電線

PERFORMANCE

Electrical Rating: AC/DC 100V 1A

額定電壓電流

Insulation Resistance: 500MΩ min.

絕緣阻抗

Withstanding Voltage: 500V AC/minute

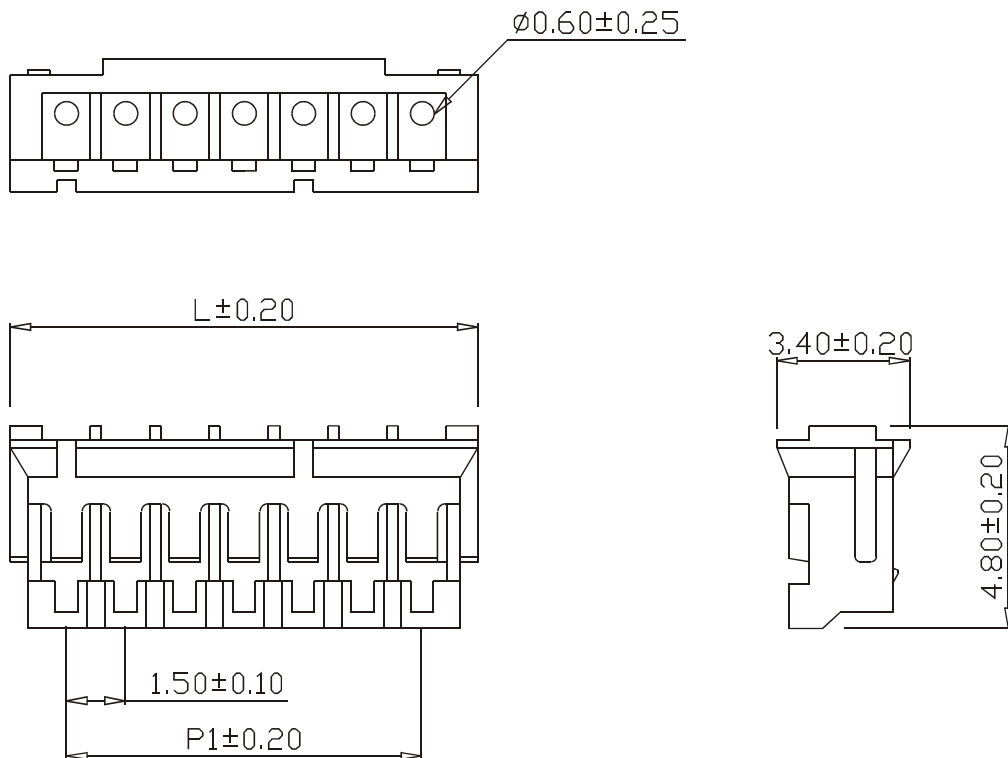
耐電壓

Temperature Range: -25°C~+85°C

適用溫度



1.5mm



Unit: mm

Part No.	POS.	L	P1	Pack.	Part No.	POS.	L	P1	Pack.
P24052	2	4.50	1.50	1000	P24059	9	15.00	12.00	1000
P24053	3	6.00	3.00	1000	P240510	10	16.50	13.50	1000
P24054	4	7.50	4.50	1000	P240511	11	18.00	15.00	1000
P24055	5	9.00	6.00	1000	P240512	12	19.50	16.50	1000
P24056	6	10.50	7.50	1000	P240513	13	21.00	18.00	1000
P24057	7	12.00	9.00	1000					
P24058	8	13.50	10.50	1000					

2405 Wire to Board Connectors - SMT Type

TERMINAL

Part No.: **2405PS-2**

產品編號

Thickness: 0.20mm

銅板厚度

Material: Phosphor Bronze

材質 磷青銅

Surface Treatment: Tin-plated

表面處理 鍍錫

Applicable Wire: AWG# 26~30

適用電線

Insulation O.D.: 1.10mm Max.

線皮外徑

Suitable Housing: P24052~P240513

配合塑膠

Suitable Connector: M24052~M240513 M24052R~M240513R

配合公座

MS24052~MS240513 MS24052R~MS240513R

Packing: 10,000PCS(Reel)

包裝數量

PERFORMANCE

Electrical Rating: AC/DC 100V 1A

額定電壓電流

Insulation Resistance: 500MΩ min.

絕緣阻抗

Withstanding Voltage: 500V AC/minute

耐電壓

Temperature Range: -25°C~+85°C

適用溫度



1.5mm

