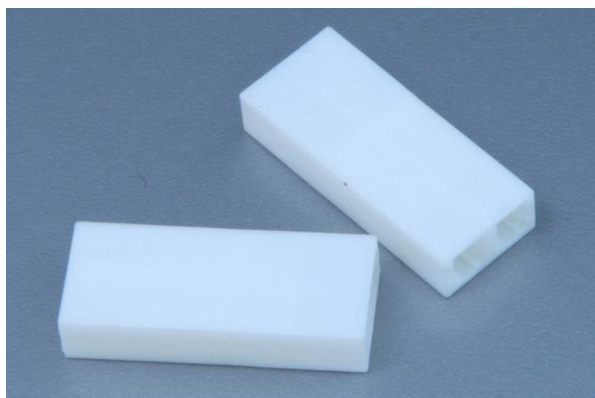


# 24081



## Pitch 3.5mm Wire to Board Connectors



### PERFORMANCE

Electrical Rating: AC/DC 1400V 1A  
額定電壓電流  
Insulation Resistance: 1000MΩ min.  
絕緣阻抗  
Withstanding Voltage: 3800V AC/minute  
耐電壓  
Temperature Range: -25°C~+85°C  
適用溫度



### TERMINAL

Part No.: 24081PS-2

產品編號

Thickness: 0.20mm

銅板厚度

Material: Phosphor Bronze (PS)

材質 磷青銅

Surface Treatment: Tin-plated

表面處理 鍍錫

Applicable Wire: AWG# 24~28

適用電線

Insulation O.D.: 1.20~1.80mm

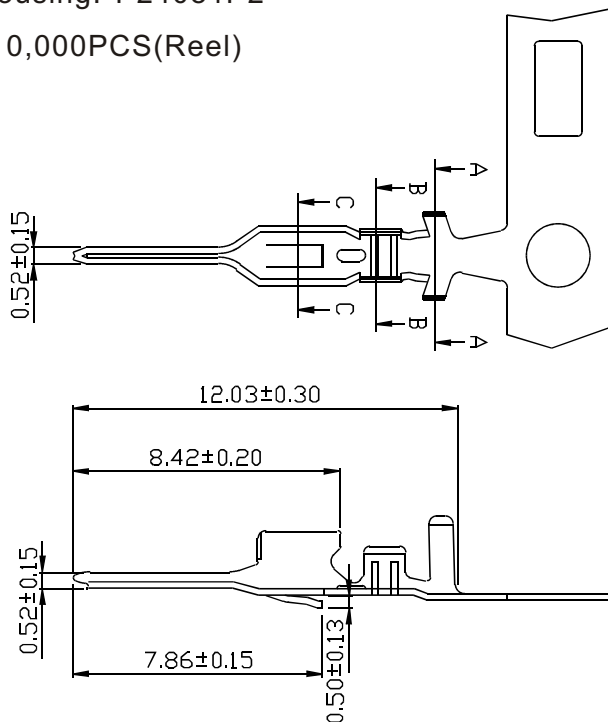
線皮外徑

Suitable Housing: P24081P2

配合塑膠

Packing: 10,000PCS(Reel)

包裝數量



3.50mm

# 24081 Wire to Board Connectors



## HOUSING

Part No.: P24081P2

產品編號

Material: Nylon 94V-0

材質

Suitable Contact: 24081PS-2

配合端子

Applicable Wire: AWG# 24~28

適用電線

Packing: 1,000PCS (Bag)

包裝數量

## PERFORMANCE

Electrical Rating: AC/DC 1400V 1A

額定電壓電流

Insulation Resistance: 1000M $\Omega$  min.

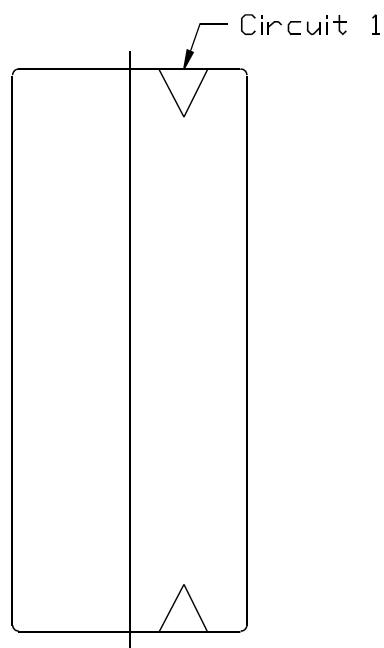
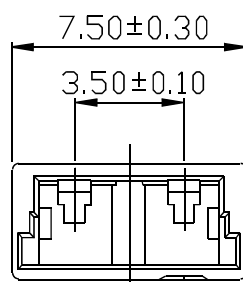
絕緣阻抗

Withstanding Voltage: 3800V AC/minute

耐電壓

Temperature Range: -25 $^{\circ}$ C~+85 $^{\circ}$ C

適用溫度



3.50mm