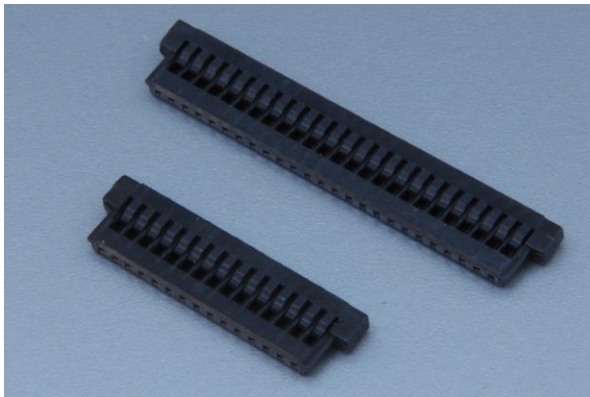


# 2409



## Pitch 1.25mm Wire to Board Connectors



### PERFORMANCE

Electrical Rating: AC/DC 100V 1A  
 額定電壓電流  
 Insulation Resistance: 500MΩ min.  
 絕緣阻抗  
 Withstanding Voltage: 500V AC/minute  
 耐電壓  
 Temperature Range: -25°C~+85°C  
 適用溫度



1.25mm

### HOUSING

Part No.: P2409P2~P2409P30

產品編號

Material: Nylon 94V-0

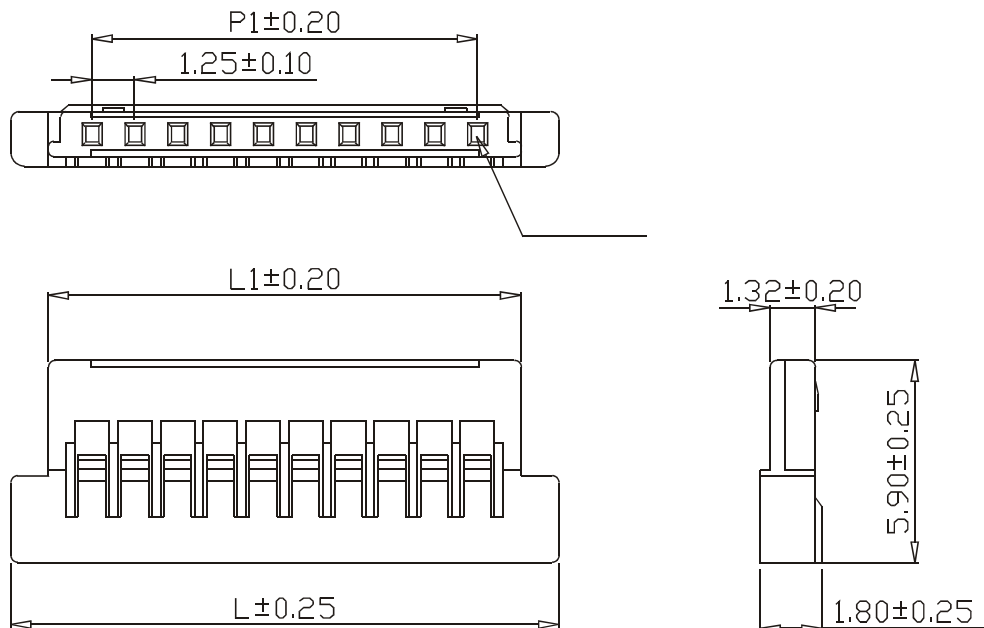
材質

Suitable Contact: 2409PS-2

配合端子

Applicable Wire: AWG# 28~32

適用電線



Unit: mm

Part No.	POS.	L	L1	P1	Pack.	Part No.	POS.	L	L1	P1	Pack.
P2409P2	2	6.00	3.80	1.25	1000	P2409P10	10	16.00	13.80	11.25	1000
P2409P3	3	7.25	5.05	2.50	1000	P2409P15	15	22.25	20.05	17.50	1000
P2409P4	4	8.50	6.30	3.75	1000	P2409P20	20	28.50	26.30	23.75	1000
P2409P5	5	9.75	7.55	5.00	1000	P2409P25	25	34.75	32.55	30.00	1000
P2409P6	6	11.00	8.80	6.25	1000	P2409P30	30	41.00	38.80	36.25	1000
P2409P8	8	13.50	11.30	8.75	1000						

Behave in conformity with continual product development policy, SinSheng (STM) reserves the right of specification changing of contents described in this catalogue at any time and without prior notice. Please contact the sales department nearby for most updated information.  
 由於產品持續開發的政策, 信盛(STM)保留隨時變更本目錄所述之規格且不需提前通知的權利. 請連繫業務處查詢最新的產品資訊.

# 2409 Wire to Board Connectors

## HOUSING

Part No.: PD2409P31~PD2409P41

產品編號

Material: Nylon 94V-0

材質

Suitable Contact: 2409PS-2 RF:A

配合端子

Applicable Wire: AWG# 28~32

適用電線

Packing: 1000pcs/Box

包裝數量

## PERFORMANCE

Electrical Rating: AC/DC 150V 1A

額定電壓電流

Insulation Resistance: 500MΩ min.

絕緣阻抗

Withstanding Voltage: 500V AC/minute

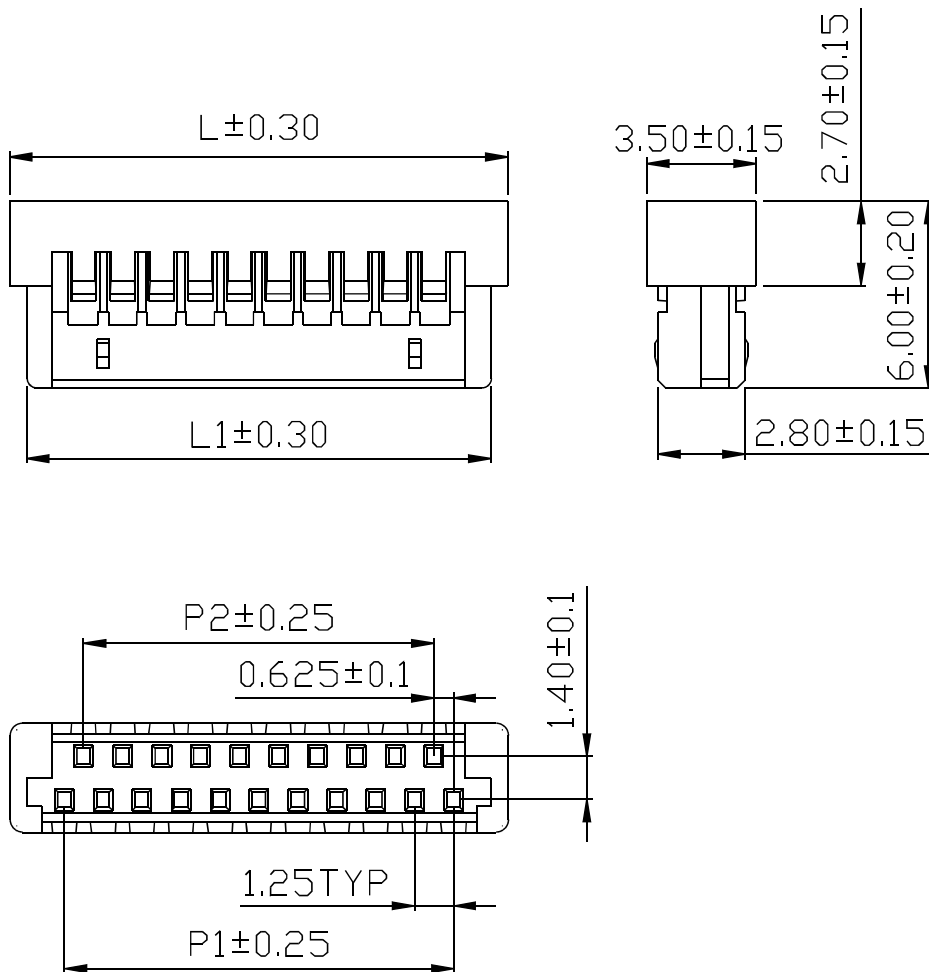
耐電壓

Temperature Range: -35°C~+85°C

適用溫度



1.25mm



Unit: mm

Part No.	POS.	L	L1	P1	P2
PD2409P31	31x2	22.30	21.20	18.75	17.50
PD2409P41	41x2	28.55	27.45	25.00	23.75

# 2409 Wire to Board Connectors

## TERMINAL

Part No.: **2409PS-2**

產品編號

Thickness: 0.15mm

銅板厚度

Material: Phosphor Bronze

材質 磷青銅

Surface Treatment: Tin-plated

表面處理 鍍錫

Applicable Wire: AWG# 28~32

適用電線

Insulation O.D.: 1.00mm Max.

線皮外徑

Suitable Housing: P2409P2~P2409P30

配合塑膠

Packing: 15,000PCS(Reel)

包裝數量

## PERFORMANCE

Electrical Rating: AC/DC 100V 1A

額定電壓電流

Insulation Resistance: 500MΩ min.

絕緣阻抗

Withstanding Voltage: 500V AC/minute

耐電壓

Temperature Range: -25°C~+85°C

適用溫度



1.25mm

