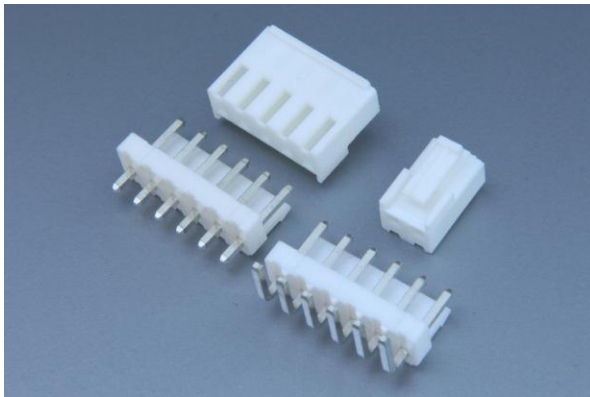


24183



Pitch 3.96mm Wire to Board Connectors



PERFORMANCE

Electrical Rating: AC/DC 250V 7A
 額定電壓電流
 Insulation Resistance: 1000MΩ min.
 絕緣阻抗
 Withstanding Voltage: 1000V AC/minute
 耐電壓
 Temperature Range: -25°C~+85°C
 適用溫度



CONNECTOR - Top Entry

Part No.: M241832~M2418314

產品編號

Material: Housing: Nylon 94V-0

材質 塑膠座

Contact Pin: Brass, Tin-plated

接觸針 黃銅, 鍍錫

Suitable Contact: 24183BS-2 24184PS-2

配合端子

Suitable Housing: P241832~P2418314

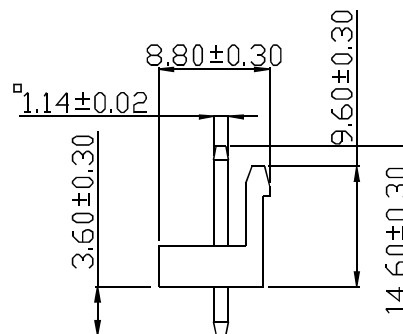
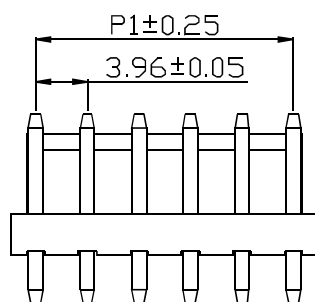
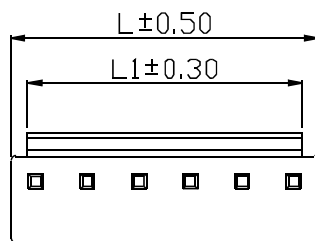
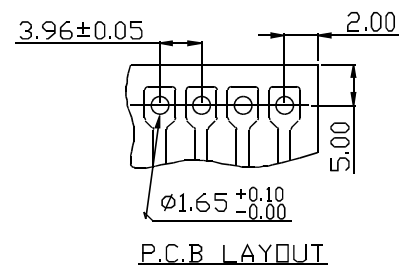
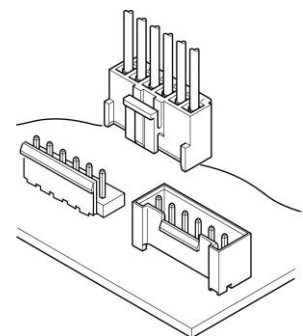
配合塑膠

Applicable Wire: AWG# 18~22

適用電線

Square Contact Pin: 1.14±0.02mm

方型接觸針



3.96mm

Unit: mm

PartNo.	POS.	L	L1	P1	Pack.
M241832	2	7.92	5.50	3.96	1000
M241833	3	11.92	9.55	7.92	1000
M241834	4	15.84	13.40	11.88	500
M241835	5	19.84	17.40	15.84	500
M241836	6	23.80	21.40	19.80	500
M241837	7	27.88	25.35	23.76	500
M241838	8	31.74	29.35	27.72	500

PartNo.	POS.	L	L1	P1	Pack.
M241839	9	35.86	33.45	31.68	500
M2418310	10	39.90	37.35	35.64	500
M2418311	11	43.84	41.30	39.60	500
M2418312	12	47.92	45.35	43.56	500
M2418313	13	51.72	49.45	47.52	500
M2418314	14	55.92	53.15	51.48	500

Behave in conformity with continual product development policy, SinSheng (STM) reserves the right of specification changing of contents described in this catalogue at any time and without prior notice. Please contact the sales department nearby for most updated information.
 由於產品持續開發的政策, 信盛(STM)保留隨時變更本目錄所述之規格且不需提前通知的權利。請連繫業務處查詢最新的產品資訊。

24183 Wire to Board Connectors



CONNECTOR - Side Entry

Part No.: M241832R~M2418314R

產品編號

Material: Housing: Nylon 94V-0

材質

Contact Pin: Brass, Tin-plated

接觸針 黃銅, 鍍錫

Suitable Contact: 24183BS-2 24183PS-2

配合端子

Suitable Housing: P241832~P2418314

配合塑膠

Applicable Wire: AWG# 18~22

適用電線

Square Contact Pin: 1.14±0.02mm

方型接觸針

PERFORMANCE

Electrical Rating: AC/DC 250V 7A

額定電壓電流

Insulation Resistance: 1000MΩ min.

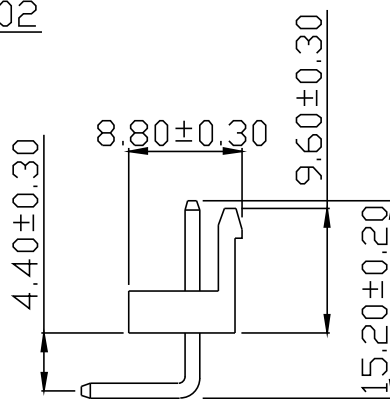
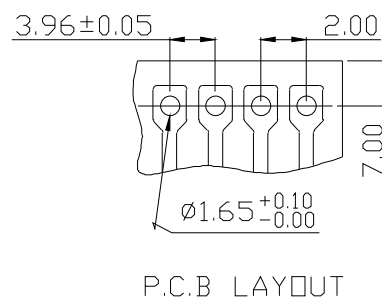
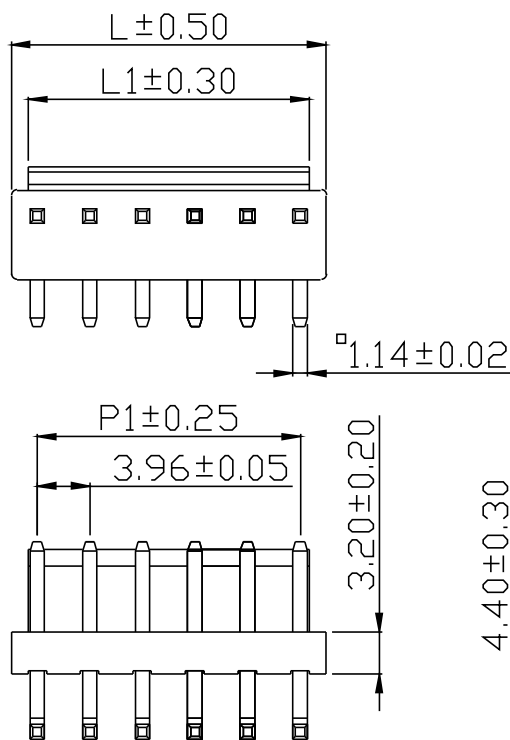
絕緣阻抗

Withstanding Voltage: 1000V AC/minute

耐電壓

Temperature Range: -25°C~+85°C

適用溫度



3.96mm

Unit: mm

Part No.	POS.	L	L1	P1	Pack.	Part No.	POS.	L	L1	P1	Pack.
M241832R	2	7.92	5.50	3.96	1000	M241839R	9	35.86	33.45	31.68	500
M241833R	3	11.92	9.55	7.92	1000	M2418310R	10	39.90	37.35	35.64	500
M241834R	4	15.84	13.40	11.88	500	M2418311R	11	43.84	41.30	39.60	500
M241835R	5	19.84	17.40	15.84	500	M2418312R	12	47.92	45.35	43.56	500
M241836R	6	23.80	21.40	19.80	500	M2418313R	13	51.72	49.45	47.52	500
M241837R	7	27.88	25.35	23.76	500	M2418314R	14	55.92	53.15	51.48	500
M241838R	8	31.74	29.35	27.72	500						

24183 Wire to Board Connectors



HOUSING

Part No.: P241832~P2418314

產品編號

Material: Nylon 94V-0

材質

Suitable Contact: 24183BS-2 24183PS-2

配合端子

Suitable Connector: M241832~M2418314

配合公座

M241832R~M2418314R

Applicable Wire: AWG# 18~22

適用電線

PERFORMANCE

Electrical Rating: AC/DC 250V 7A

額定電壓電流

Insulation Resistance: 1000MΩ min.

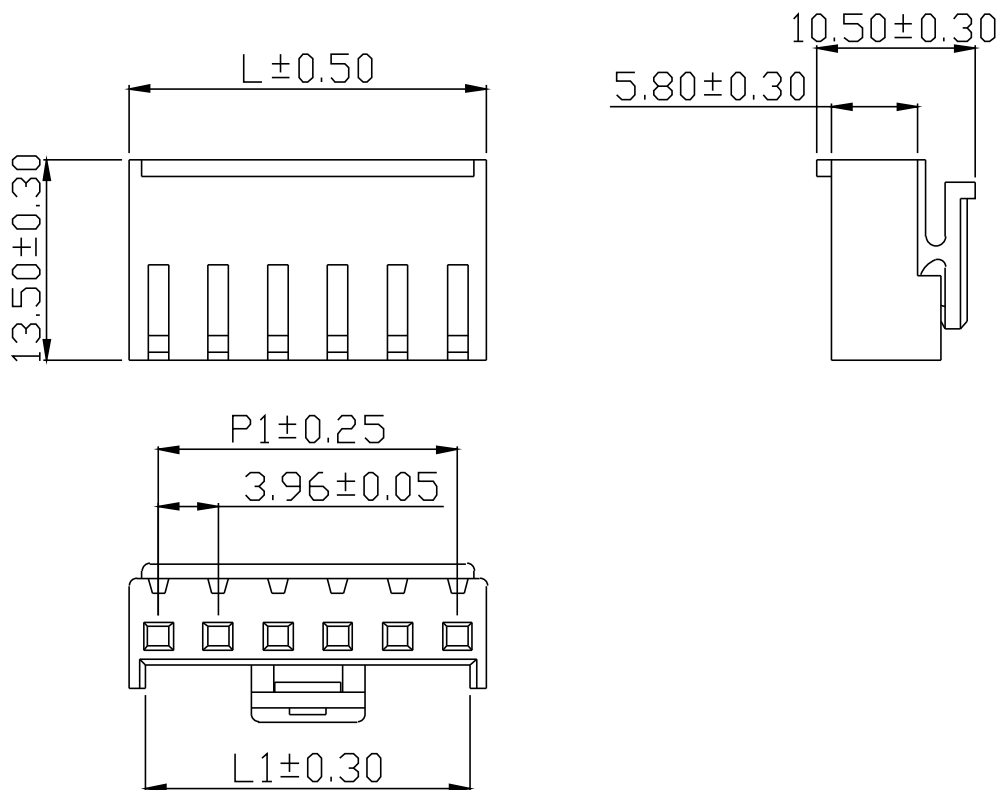
絕緣阻抗

Withstanding Voltage: 1000V AC/minute

耐電壓

Temperature Range: -25°C~+85°C

適用溫度



3.96mm

Unit: mm

PartNo.	POS.	L	L1	P1	Pack.	PartNo.	POS.	L	L1	P1	Pack.
P241832	2	8.04	5.70	3.96	1000	P241839	9	35.88	33.50	31.68	500
P241833	3	12.10	9.75	7.92	1000	P2418310	10	39.84	37.55	35.64	500
P241834	4	15.96	13.75	11.88	500	P2418311	11	43.74	41.45	39.60	500
P241835	5	20.00	17.70	15.84	500	P2418312	12	47.74	45.40	43.56	500
P241836	6	23.90	21.50	19.80	500	P2418313	13	51.70	50.00	47.52	500
P241837	7	27.90	25.40	23.76	500	P2418314	14	55.66	53.25	51.48	500
P241838	8	31.92	29.50	27.72	500						

24183 Wire to Board Connectors



TERMINAL

Part No.: 24183BS-2 24183PS-2

產品編號

Thickness: 0.25mm

銅板厚度

Material: Brass (BS) Phosphor Bronze (PS)

材質 黃銅 磷青銅

Surface Treatment: Tin-plated

表面處理 鍍錫

Applicable Wire: AWG# 18~22

適用電線

Insulation O.D.: 2.10~2.70mm

線皮外徑

Suitable Housing: P241832~P2418314

配合塑膠

Suitable Connector: M241832~M2418314

配合公座

M241832R~M2418314R

Packing: 3,500PCS(Reel)

包裝數量

PERFORMANCE

Electrical Rating: AC/DC 250V 7A

額定電壓電流

Insulation Resistance: 1000MΩ min.

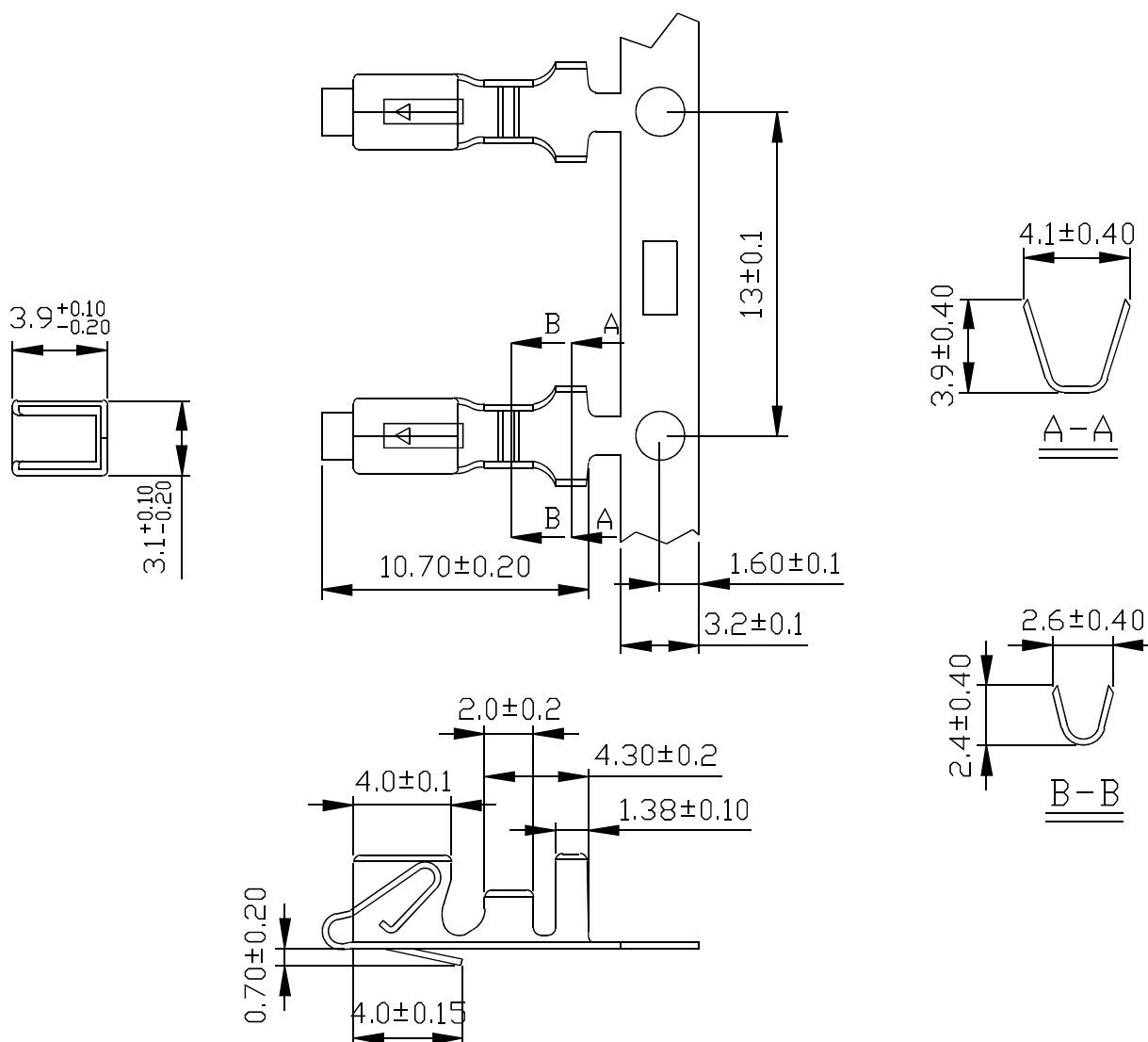
絕緣阻抗

Withstanding Voltage: 1000V AC/minute

耐電壓

Temperature Range: -25°C~+85°C

適用溫度



3.96mm