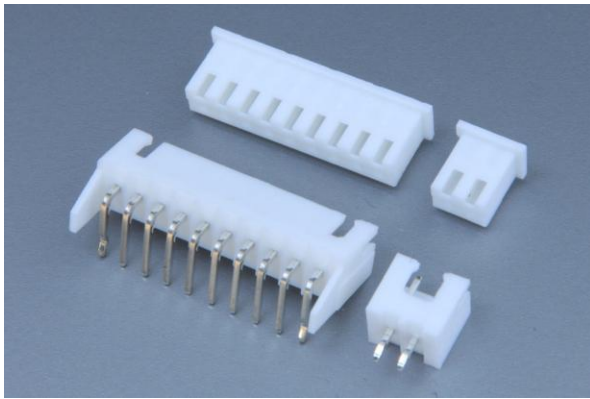


24185



Pitch 2.5mm Wire to Board Connectors



PERFORMANCE

Electrical Rating: AC/DC 250V 3A
 額定電壓電流
 Insulation Resistance: 1000MΩ min.
 絕緣阻抗
 Withstanding Voltage: 1000V AC/minute
 耐電壓
 Temperature Range: -25°C~+85°C
 適用溫度



CONNECTOR - Top Entry

Part No.: M241852~M2418520

產品編號

Material: Housing: Nylon 94V-0

材質 塑膠座

Contact Pin: Brass, Tin-plated

接觸針 黃銅 鍍錫

Suitable Contact: 24185BS-2 24185PS-2

配合端子

Suitable Housing: P241852~P2418520

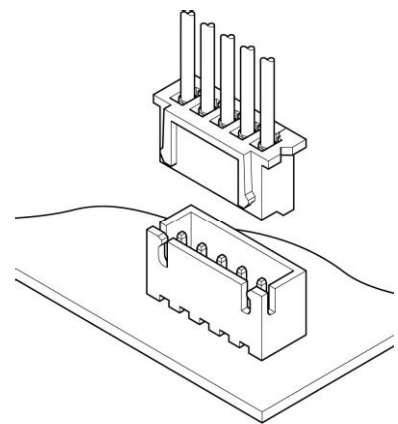
配合塑膠

Applicable Wire: AWG# 22~26

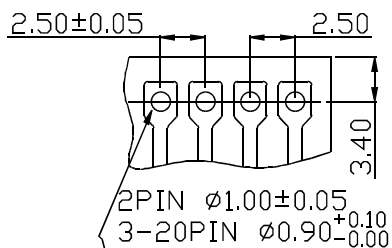
適用電線

Square Contact Pin: 0.64±0.02mm

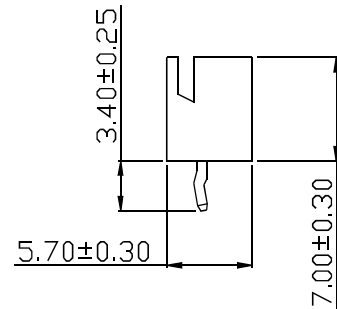
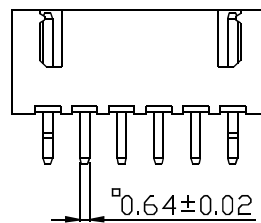
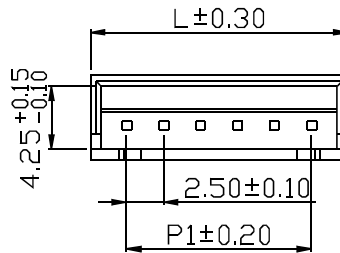
方型接觸針



2.5mm



P.C.B. LAYOUT



Unit: mm

Part No.	POS.	L	P1	Pack.	Part No.	POS.	L	P1	Pack.
M241852	2	7.40	2.50	1000	M2418512	12	32.40	27.50	500
M241853	3	9.90	5.00	1000	M2418513	13	34.90	30.00	500
M241854	4	12.40	7.50	1000	M2418514	14	37.40	32.50	500
M241855	5	14.90	10.00	1000	M2418515	15	39.90	35.00	500
M241856	6	17.40	12.50	1000	M2418516	16	42.40	37.50	500
M241857	7	19.90	15.00	500	M2418517	17	44.90	40.00	500
M241858	8	22.40	17.50	500	M2418518	18	47.40	42.50	500
M241859	9	24.90	20.00	500	M2418519	19	49.90	45.00	500
M2418510	10	27.40	22.50	500	M2418520	20	52.40	47.50	500
M2418511	11	29.90	25.00	500					

Behave in conformity with continual product development policy, SinSheng (STM) reserves the right of specification changing of contents described in this catalogue at any time and without prior notice. Please contact the sales department nearby for most updated information.
 由於產品持續開發的政策, 信盛(STM)保留隨時變更本目錄所述之規格且不需提前通知的權利。請連繫業務處查詢最新的產品資訊。

24185 Wire to Board Connectors



CONNECTOR - Side Entry

Part No.: M241852R~M2418520R

產品編號

Material: Housing: Nylon 94V-0

材質

Contact Pin: Brass, Tin-plated

接觸針

黃銅, 鍍錫

Suitable Contact: 24185BS-2 24185PS-2

配合端子

Suitable Housing: P241852~P2418520

配合塑膠

Applicable Wire: AWG#22~26

適用電線

Square Contact Pin: 0.64±0.02mm

方型接觸針

PERFORMANCE

Electrical Rating: AC/DC 250V 3A

額定電壓電流

Insulation Resistance: 1000MΩ min.

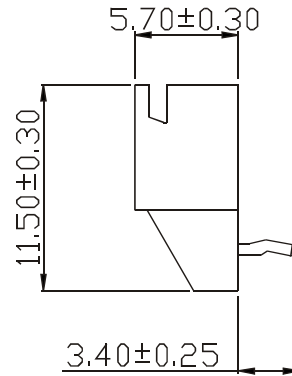
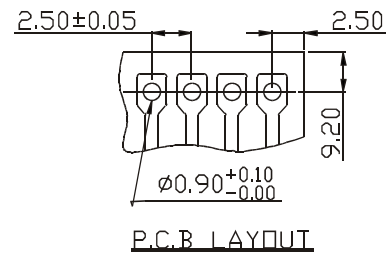
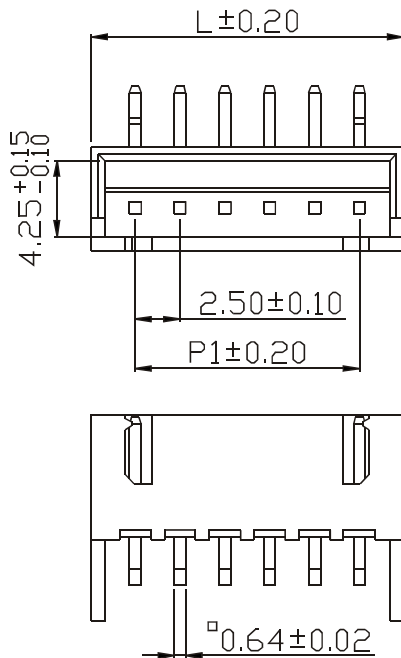
絕緣阻抗

Withstanding Voltage: 1000V AC/minute

耐電壓

Temperature Range: -25°C~+85°C

適用溫度



Unit: mm

Part No.	POS.	L	P1	Pack.	Part No.	POS.	L	P1	Pack.
M241852R	2	7.40	2.50	1000	M2418512R	12	32.40	27.50	500
M241853R	3	9.90	5.00	1000	M2418513R	13	34.90	30.00	500
M241854R	4	12.40	7.50	1000	M2418514R	14	37.40	32.50	500
M241855R	5	14.90	10.00	1000	M2418515R	15	39.90	35.00	500
M241856R	6	17.40	12.50	1000	M2418516R	16	42.40	37.50	500
M241857R	7	19.90	15.00	500	M2418517R	17	44.90	40.00	500
M241858R	8	22.40	17.50	500	M2418518R	18	47.40	42.50	500
M241859R	9	24.90	20.00	500	M2418519R	19	49.90	45.00	500
M2418510R	10	27.40	22.50	500	M2418520R	20	52.40	47.50	500
M2418511R	11	29.90	25.00	500					

2.5mm

24185 Wire to Board Connectors



HOUSING

Part No.: P241852~P2418520

產品編號

Material: Nylon 94V-0

材質

Suitable Contact: 24185BS-2 24185PS-2

配合端子

Suitable Connector: M241852~M2418520

配合公座

M241852R~M2418520R

Applicable Wire: AWG# 22~26

適用電線

PERFORMANCE

Electrical Rating: AC/DC 250V 3A

額定電壓電流

Insulation Resistance: 1000MΩ min.

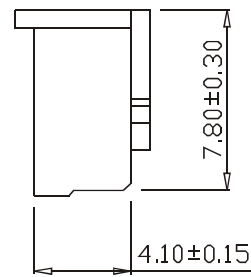
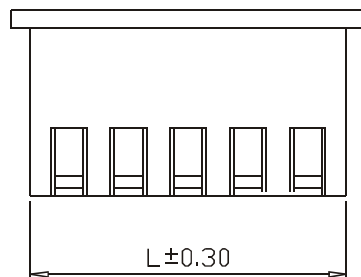
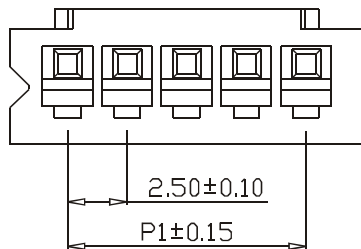
絕緣阻抗

Withstanding Voltage: 1000V AC/minute

耐電壓

Temperature Range: -25°C~+85°C

適用溫度



2.5mm

Unit: mm

Part No.	POS.	L	P1	Pack.	Part No.	POS.	L	P1	Pack.
P241852	2	5.70	2.50	1000	P2418512	12	30.70	27.50	500
P241853	3	8.20	5.00	1000	P2418513	13	33.20	30.00	500
P241854	4	10.70	7.50	1000	P2418514	14	35.70	32.50	500
P241855	5	13.20	10.00	1000	P2418515	15	38.20	35.00	500
P241856	6	15.70	12.50	1000	P2418516	16	40.70	37.50	500
P241857	7	18.20	15.00	500	P2418517	17	43.20	40.00	500
P241858	8	20.70	17.50	500	P2418518	18	45.70	42.50	500
P241859	9	23.20	20.00	500	P2418519	19	48.20	45.00	500
P2418510	10	25.70	22.50	500	P2418520	20	50.70	47.50	500
P2418511	11	28.20	25.00	500					

24185 Wire to Board Connectors



TERMINAL

Part No.: 24185BS-2 24185PS-2

產品編號

Thickness: 0.20mm

銅板厚度

Material: Brass (BS) Phosphor Bronze (PS)

材質 黃銅 磷青銅

Surface Treatment: Tin-plated

表面處理

Applicable Wire: AWG# 22-26

適用電線

Insulation O.D.: 1.35~2.20mm

線皮外徑

Suitable Housing: P241852~P2418520

配合塑膠

Suitable Connector: M241852~M2418520

配合公座

M241852R~M2418520R

Packing: 7,500PCS(Reel)

包裝數量

PERFORMANCE

Electrical Rating: AC/DC 250V 3A

額定電壓電流

Insulation Resistance: 1000MΩ min.

絕緣阻抗

Withstanding Voltage: 1000V AC/minute

耐電壓

Temperature Range: -25°C~+85°C

適用溫度



2.5mm

