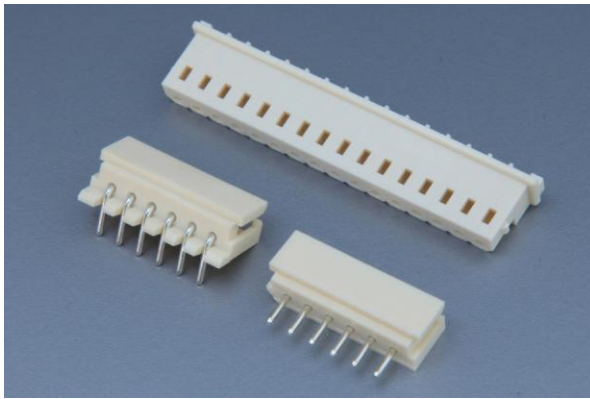


2419



Pitch 2.5mm Wire to Board Connectors



PERFORMANCE

Electrical Rating: AC/DC 250V 3A
 額定電壓電流
 Insulation Resistance: 1000MΩ min.
 絕緣阻抗
 Withstanding Voltage: 800V AC/minute
 耐電壓
 Temperature Range: -25°C~+85°C
 適用溫度



CONNECTOR - Tope Entry

Part No.: M24192~M241915

產品編號

Material: Housing: Nylon 94V-0

材質 塑膠座

Contact Pin: Brass, Tin-plated

接觸針 黃銅, 鍍錫

Suitable Contact: 2419PS-2

配合端子

Suitable Housing: P24192~P241915

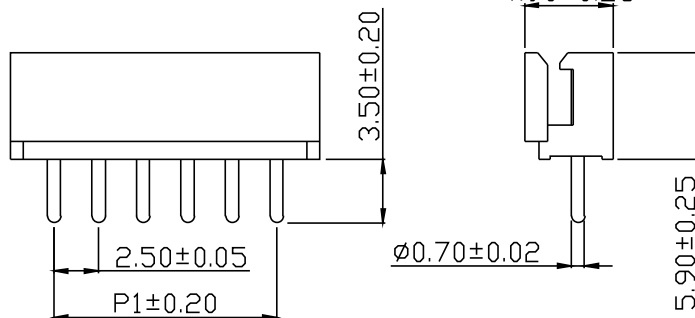
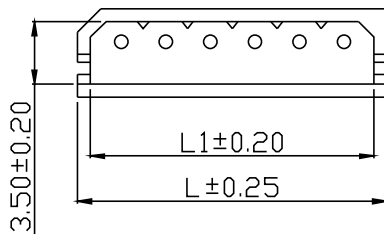
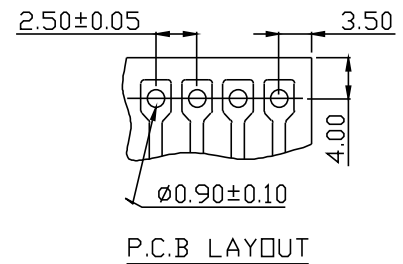
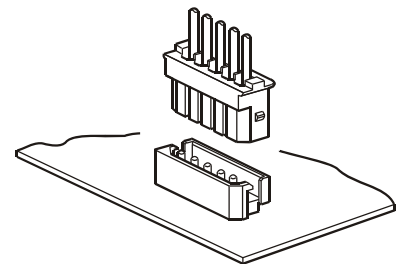
配合塑膠

Applicable Wire: AWG# 22~28

適用電線

Round Contact Pin: $\phi 0.70 \pm 0.02\text{mm}$

圓型接觸針



Unit: mm

Part No.	POS.	L	P1	Pack.	Part No.	POS.	L	P1	Pack.
M24192	2	7.50	2.50	1000	M24199	9	25.00	20.00	1000
M24193	3	10.00	5.00	1000	M241910	10	27.50	22.50	1000
M24194	4	12.50	7.50	1000	M241911	11	30.00	25.00	500
M24195	5	15.00	10.00	1000	M241912	12	32.50	27.50	500
M24196	6	17.50	12.50	1000	M241913	13	35.00	30.00	500
M24197	7	20.00	15.00	1000	M241914	14	37.50	32.50	500
M24198	8	22.50	17.50	1000	M241915	15	40.00	35.00	500

Behave in conformity with continual product development policy, SinSheng (STM) reserves the right of specification changing of contents described in this catalogue at any time and without prior notice. Please contact the sales department nearby for most updated information.
 由於產品持續開發的政策, 信盛(STM)保留隨時變更本目錄所述之規格且不需提前通知的權利。請連繫業務處查詢最新的產品資訊。

2.5mm

2419 Wire to Board Connectors



CONNECTOR - Side Entry

Part No.: M24192R~M241915R

產品編號

Material: Housing: Nylon 94V-0

材質

塑膠座

Contact Pin: Brass, Tin-plated

接觸針

黃銅

鍍錫

Suitable Contact: 2419PS-2

配合端子

Suitable Housing: P24192~P241915

配合塑膠

Applicable Wire: AWG# 22~28

適用電線

Round Contact Pin: $\phi 0.70 \pm 0.02$ mm

圓型接觸針

PERFORMANCE

Electrical Rating: AC/DC 250V 3A

額定電壓電流

Insulation Resistance: 1000M Ω min.

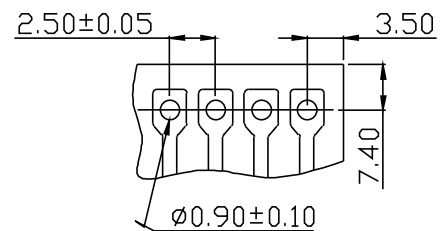
絕緣阻抗

Withstanding Voltage: 800V AC/minute

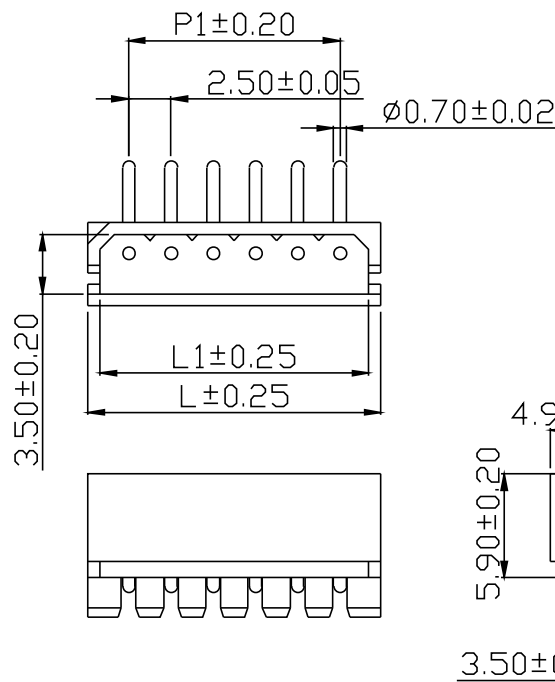
耐電壓

Temperature Range: -25°C~+85°C

適用溫度



P.C.B LAYOUT



Unit: mm

Part No.	POS.	L	P1	Pack.	Part No.	POS.	L	P1	Pack.
M24192R	2	7.50	2.50	1000	M24199R	9	25.00	20.00	1000
M24193R	3	10.00	5.00	1000	M241910R	10	27.50	22.50	1000
M24194R	4	12.50	7.50	1000	M241911R	11	30.00	25.00	500
M24195R	5	15.00	10.00	1000	M241912R	12	32.50	27.50	500
M24196R	6	17.50	12.50	1000	M241913R	13	35.00	30.00	500
M24197R	7	20.00	15.00	1000	M241914R	14	37.50	32.50	500
M24198R	8	22.50	17.50	1000	M241915R	15	40.00	35.00	500

HOUSING

Part No.: P24192~P241915

產品編號

Material: Nylon 94V-0

材質

Suitable Contact: 2419PS-2

配合端子

Suitable Connector: M24192~M241915

配合公座

M24192R~M241915R

Applicable Wire: AWG# 22~28

適用電線

PERFORMANCE

Electrical Rating: AC/DC 250V 3A

額定電壓電流

Insulation Resistance: 1000MΩ min.

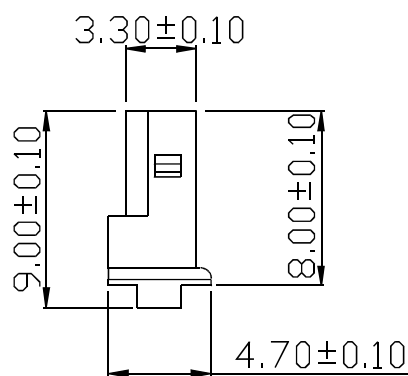
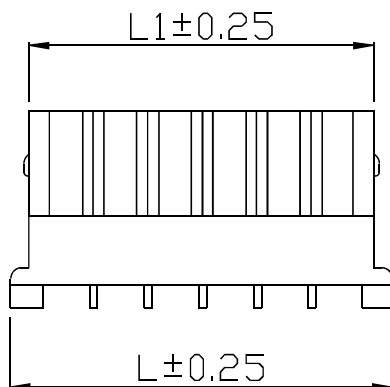
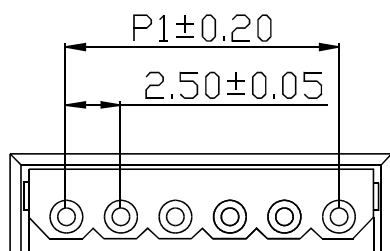
絕緣阻抗

Withstanding Voltage: 800V AC/minute

耐電壓

Temperature Range: -25°C~+85°C

適用溫度



2.5mm

Unit: mm

Part No.	POS.	L	L1	P1	Pack.	Part No.	POS.	L	L1	P1	Pack.
P24192	2	7.40	5.80	2.50	1000	P24199	9	24.90	23.30	20.00	1000
P24193	3	9.90	8.30	5.00	1000	P241910	10	27.40	25.80	22.50	1000
P24194	4	12.40	10.80	7.50	1000	P241911	11	29.90	28.30	25.00	1000
P24195	5	14.90	13.30	10.00	1000	P241912	12	32.40	30.80	27.50	1000
P24196	6	17.40	15.80	12.50	1000	P241913	13	34.90	33.30	30.00	1000
P24197	7	19.90	18.30	15.00	1000	P241914	14	37.40	35.80	32.50	1000
P24198	8	22.40	20.80	17.50	1000	P241915	15	39.90	38.30	35.00	1000

TERMINAL

Part No.: 2419PS-2

產品編號

Thickness: 0.20mm

銅板厚度

Material: Phosphor Bronze

材質 磷青銅

Surface Treatment: Tin-plated

表面處理 鍍錫

Applicable Wire: AWG# 22-28

適用電線

Insulation O.D.: 1.00~1.90mm

線皮外徑

Suitable Housing: P24192~P241915

配合塑膠

Suitable Connector: M24192~M241915

配合公座

M24192R~M241915R

Packing: 10,000PCS(Reel)

包裝數量

PERFORMANCE

Electrical Rating: AC/DC 250V 3A

額定電壓電流

Insulation Resistance: 1000MΩ min.

絕緣阻抗

Withstanding Voltage: 800V AC/minute

耐電壓

Temperature Range: -25°C~+85°C

適用溫度



2.5mm

