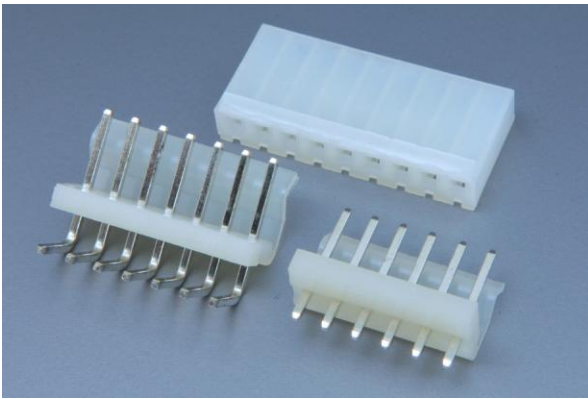


2421



Pitch 3.96mm Wire to Board Connectors



PERFORMANCE

Electrical Rating: AC/DC 250V 7A
 額定電壓電流
 Insulation Resistance: 1000MΩ min.
 絕緣阻抗
 Withstanding Voltage: 1500V AC/minute
 耐電壓
 Temperature Range: -25°C~+85°C
 適用溫度



CONNECTOR - Top Entry

Part No.: M24212~M242114

產品編號

Material: Housing: Nylon 94V-2

材質 塑膠座

Contact Pin: Brass, Tin-plated

接觸針 黃銅, 鍍錫

Suitable Contact: 24221BS-2 24224BS-2

配合端子

24212BS-2 24213BS-2

Suitable Housing: P24212~P242114

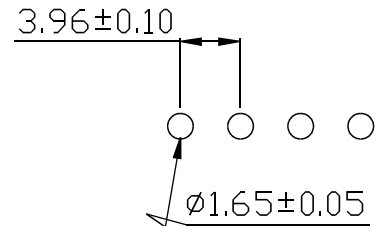
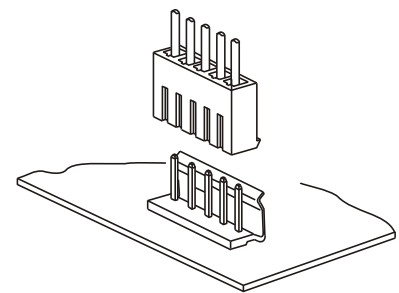
配合塑膠

Applicable Wire: AWG# 18~24

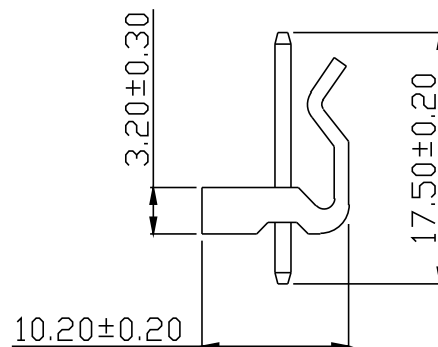
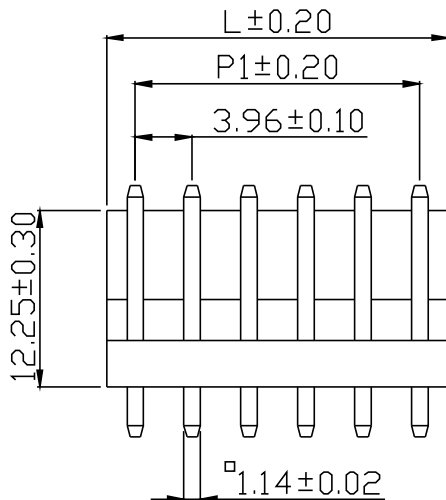
適用電線

Square Contact Pin: 1.14±0.02mm

方型接觸針



P.C.B LAYOUT



Unit: mm

Part No.	POS.	L	P1	Pack.	Part No.	POS.	L	P1	Pack.
M24212	2	7.92	3.96	1000	M24219	9	35.64	31.66	500
M24213	3	11.88	7.92	1000	M242110	10	39.60	35.64	500
M24214	4	15.84	11.88	1000	M242111	11	43.56	39.60	500
M24215	5	19.80	15.84	1000	M242112	12	47.52	43.56	250
M24216	6	23.76	19.80	1000	M242113	13	51.48	47.52	250
M24217	7	27.72	23.76	500	M242114	14	55.44	51.48	250
M24218	8	31.68	27.72	500					

Behave in conformity with continual product development policy, SinSheng (STM) reserves the right of specification changing of contents described in this catalogue at any time and without prior notice. Please contact the sales department nearby for most updated information.
 由於產品持續開發的政策, 信盛(STM)保留隨時變更本目錄所述之規格且不需提前通知的權利。請連繫業務處查詢最新的產品資訊。

3.96mm

2421 Wire to Board Connectors



CONNECTOR - Side Entry

Part No.: M24212R~M242114R

產品編號

Material: Housing: Nylon 94V-2

材質

Contact Pin: Brass, Tin-plated

接觸針 黃銅, 鍍錫

Suitable Contact: 24221BS-2 24224BS-2

配合端子

24212BS-2 24213BS-2

Suitable Housing: P24212~P242114

配合塑膠

Applicable Wire: AWG# 18~24

適用電線

Square Contact Pin: 1.14±0.02mm

方型接觸針

PERFORMANCE

Electrical Rating: AC/DC 250V 7A

額定電壓電流

Insulation Resistance: 1000MΩ min.

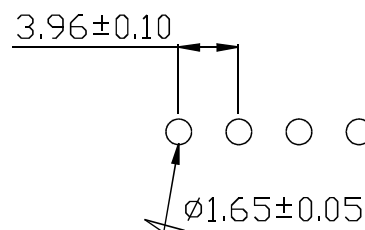
絕緣阻抗

Withstanding Voltage: 1500V AC/minute

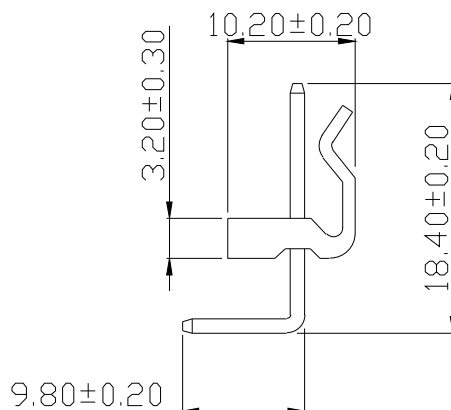
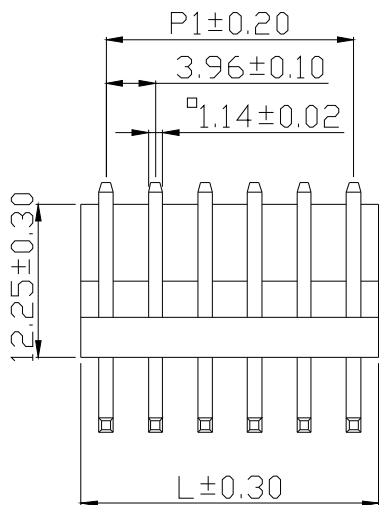
耐電壓

Temperature Range: -25°C~+85°C

適用溫度



P.C.B LAYOUT



3.96mm

Unit: mm

PartNo.	POS.	L	P1	Pack.	PartNo.	POS.	L	P1	Pack.
M24212R	2	7.92	3.96	1000	M24219R	9	35.64	31.68	500
M24213R	3	11.88	7.92	1000	M242110R	10	39.60	35.64	250
M24214R	4	15.84	11.88	1000	M242111R	11	43.56	39.60	250
M24215R	5	19.80	15.84	1000	M242112R	12	47.52	43.56	250
M24216R	6	23.76	19.80	500	M242113R	13	51.48	47.52	250
M24217R	7	27.72	23.76	500	M242114R	14	55.44	51.48	250
M24218R	8	31.68	27.72	500					

2421 Wire to Board Connectors



HOUSING

Part No.: P24212~P242114

產品編號

Material: Nylon 94V-2

材質

Suitable Contact: 24221BS-2 24224BS-2

配合端子

24212BS-2 24213BS-2

Suitable Connector: M24212~M242114

配合公座

M24212R~M242114R

Applicable Wire: AWG# 18~24

適用電線

PERFORMANCE

Electrical Rating: AC/DC 250V 7A

額定電壓電流

Insulation Resistance: 1000MΩ min.

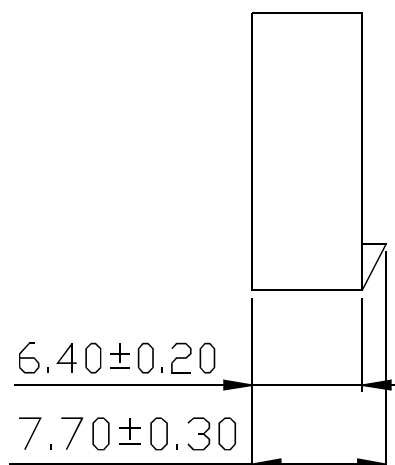
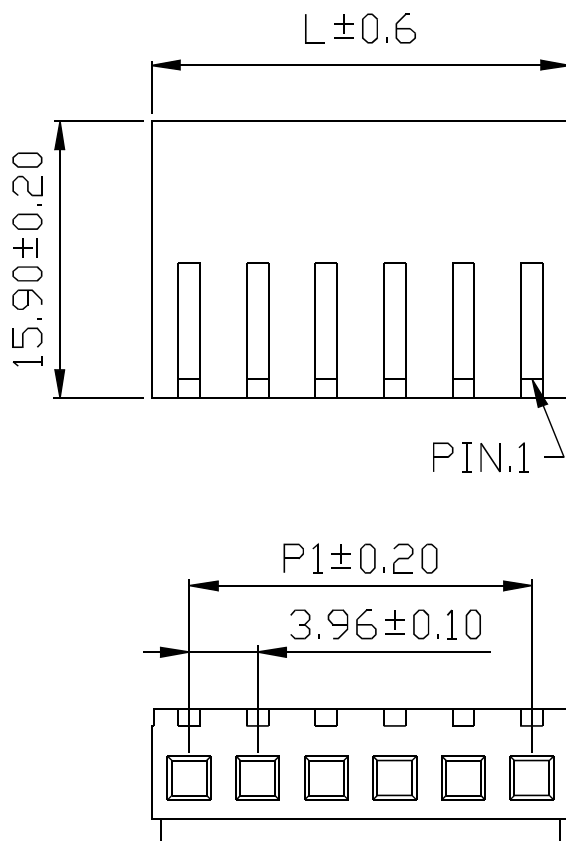
絕緣阻抗

Withstanding Voltage: 1500V AC/minute

耐電壓

Temperature Range: -25°C~+85°C

適用溫度



3.96mm

Unit: mm

PartNo.	POS.	L	P1	Pack.	PartNo.	POS.	L	P1	Pack.
P24212	2	8.92	3.96	500	P24219	9	36.64	31.68	500
P24213	3	12.88	7.92	500	P242110	10	40.60	35.64	500
P24214	4	16.84	11.88	500	P242111	11	44.56	39.60	500
P24215	5	20.80	15.84	500	P242112	12	48.52	43.56	500
P24216	6	24.76	19.80	500	P242113	13	52.48	47.52	500
P24217	7	28.72	23.76	500	P242114	14	56.44	51.48	500
P24218	8	32.68	27.72	500					

2421 Wire to Board Connectors



TERMINAL

Part No.: 2421BS-2

產品編號

Thickness: 0.25mm

銅板厚度

Material: Brass

材質 黃銅

Surface Treatment: Tin-plated

表面處理 鍍錫

Applicable Wire: AWG# 18-24

適用電線

Insulation O.D.: 1.50~2.10mm

線皮外徑

Suitable Housing: P24212~P242114

配合塑膠

Suitable Connector: M24212~M242114

配合公座

M24212R~M242114R

Packing: 7,500PCS(Reel)

包裝數量

PERFORMANCE

Electrical Rating: AC/DC 250V 7A

額定電壓電流

Insulation Resistance: 1000MΩ min.

絕緣阻抗

Withstanding Voltage: 1500V AC/minute

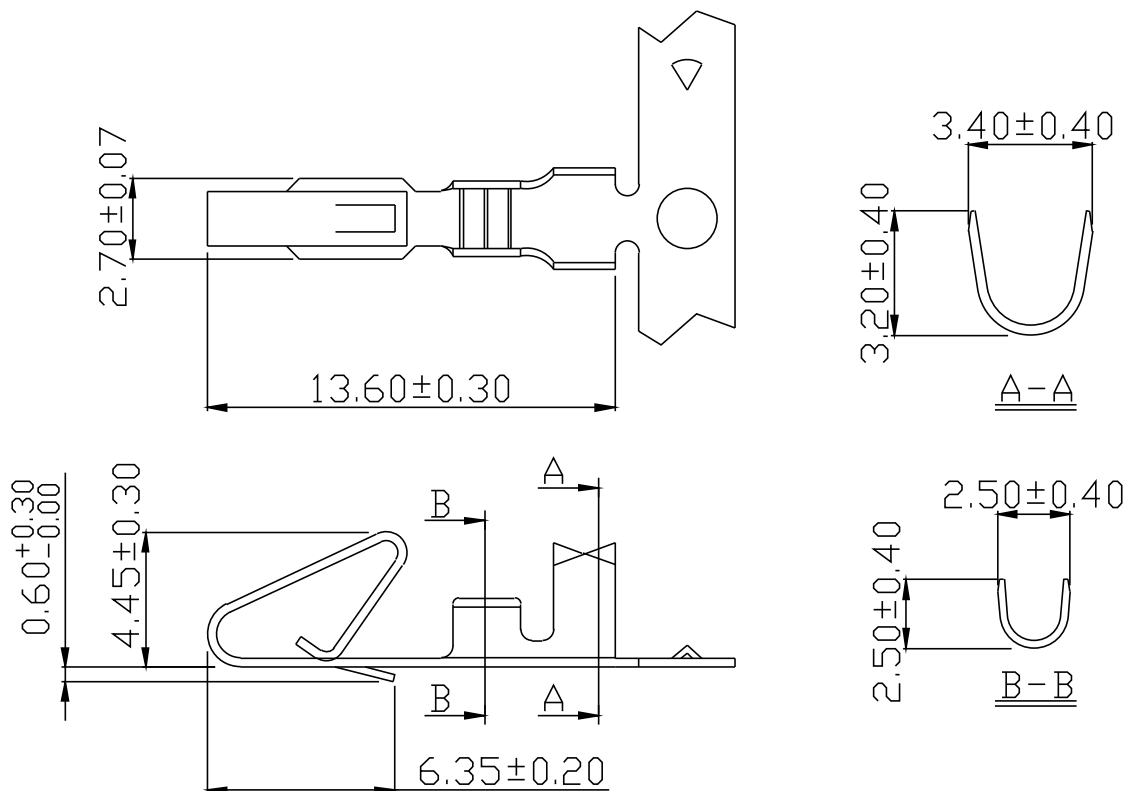
耐電壓

Temperature Range: -25°C~+85°C

適用溫度



3.96mm



2421 Wire to Board Connectors



TERMINAL

Part No.: 2421BS-2

產品編號

Thickness: 0.25mm

銅板厚度

Material: Brass

材質 黃銅

Surface Treatment: Tin-plated

表面處理 鍍錫

Applicable Wire: AWG# 18-24

適用電線

Insulation O.D.: 1.20~1.50mm

線皮外徑

Suitable Housing: P24212~P242114

配合塑膠

Suitable Connector: M24212~M242114

配合公座

M24212R~M242114R

Packing: 5,000PCS(Reel)

包裝數量

PERFORMANCE

Electrical Rating: AC/DC 250V 7A

額定電壓電流

Insulation Resistance: 1000MΩ min.

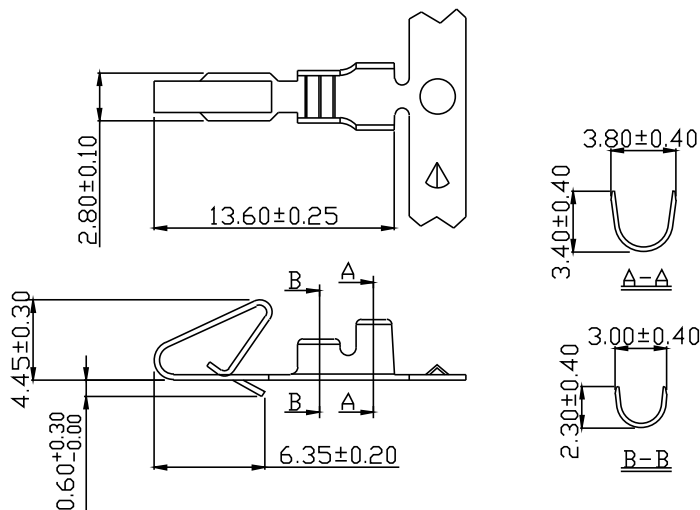
絕緣阻抗

Withstanding Voltage: 1500V AC/minute

耐電壓

Temperature Range: -25°C~+85°C

適用溫度



3.96mm

TERMINAL

Part No.: 24213BS-2

產品編號

Thickness: 0.30mm

銅板厚度

Material: Brass

材質

Surface Treatment: Tin-plated

表面處理

Applicable Wire: AWG# 18-24

適用電線

Insulation O.D.: 1.50~2.10mm

線皮外徑

Suitable Housing:

配合塑膠

P24212~P242114

Suitable Connector:

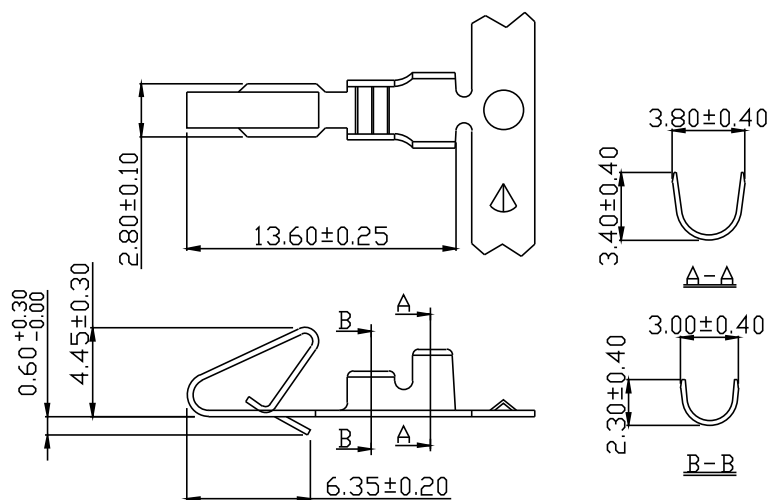
配合公座

M24212~M242114

M24212R~M242114R

Packing: 5,000PCS(Reel)

包裝數量



2421 Wire to Board Connectors



TERMINAL

Part No.: 24224BS-2

產品編號

Thickness: 0.30mm

銅板厚度

Material: Brass

材質 黃銅

Surface Treatment: Tin-plated

表面處理 鍍錫

Applicable Wire: AWG# 18-24

適用電線

Insulation O.D.: 1.50~2.10mm

線皮外徑

Suitable Housing: P24212~P242114

配合塑膠

Suitable Connector: M24212~M242114

配合公座

M24212R~M242114R

Packing: 7,500PCS(Reel)

包裝數量

PERFORMANCE

Electrical Rating: AC/DC 250V 7A

額定電壓電流

Insulation Resistance: 1000MΩ min.

絕緣阻抗

Withstanding Voltage: 1500V AC/minute

耐電壓

Temperature Range: -25°C~+85°C

適用溫度

