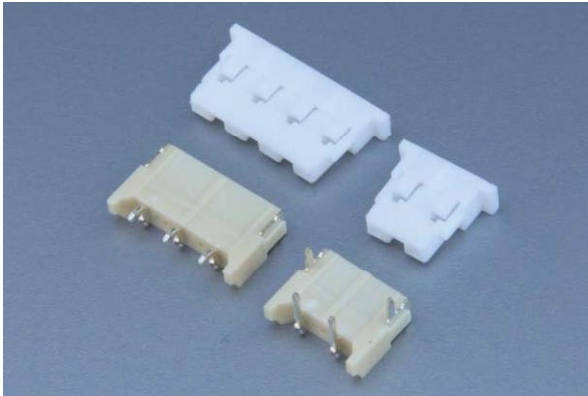


24211



Pitch 4.0mm Wire to Board Connectors - SMT Type



PERFORMANCE

Electrical Rating: AC/DC 600V 1A
額定電壓電流

Insulation Resistance: 1000MΩ min.
絕緣阻抗

Withstanding Voltage: 1800V AC/minute
耐電壓

Temperature Range: -25°C~+85°C
適用溫度



CONNECTOR - Side Entry

Part No.: MS24211P3~MS24211P9

產品編號

RF: A RF: B RF: C RF: D

Material: Housing: Nylon 94V-0

材質 塑膠座

Contact Pin: Brass, Tin-plated

接觸針 磷青銅, 鍍錫

Suitable Contact: 24211PS-2

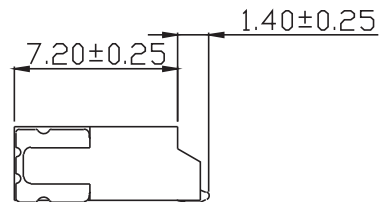
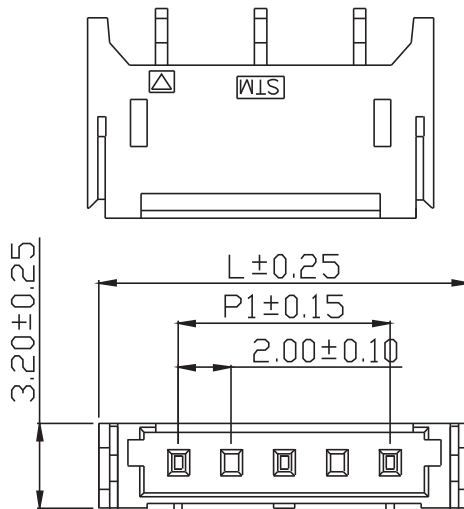
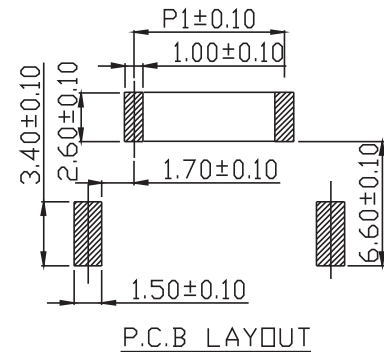
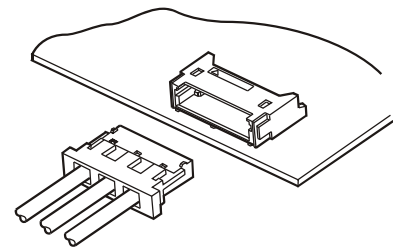
配合端子

Suitable Housing: P24211P3~P24211P9

配合塑膠

Acceptable Wire: AWG# 22~28

適用電線



4.0mm

Packed in Reel

Unit: mm

Part No.	RF.	POS.	With Pins	L	P1	Pack
MS24211P3	.	3	1;3	10.00	4.00	1500
MS24211P5	.	5	1;3;5	14.00	8.00	1500
MS24211P7	.	7	1;3;5;7	18.00	12.00	1500
MS24211P9	.	9	1;3;5;7;9	22.00	16.00	1500
MS24211P5	B	5	1;5	14.00	8.00	1500
MS24211P7	B	7	1;7	18.00	12.00	1500
MS24211P9	B	9	1;3;7;9	22.00	16.00	1500
MS24211P7	D	7	1;3;7	18.00	12.00	1500

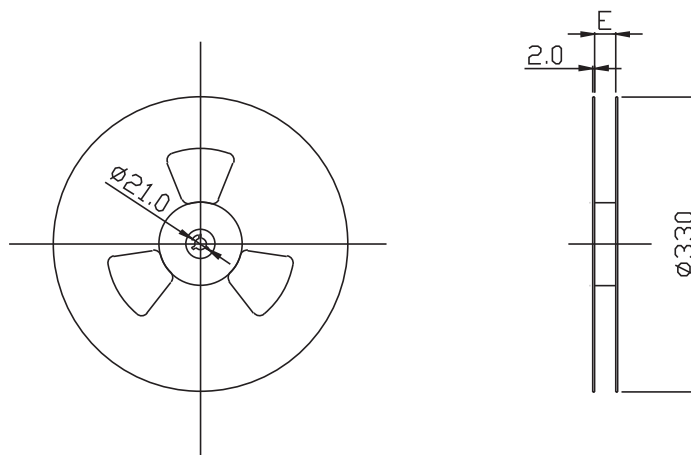
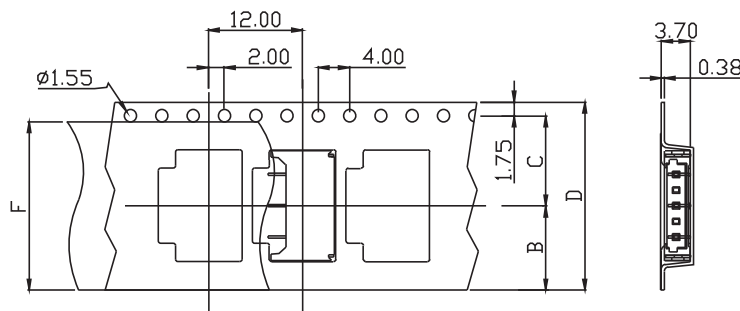
Packed in Box

Unit: mm

Part No.	RF.	POS.	With Pins	L	P1	Pack
MS24211P3	A	3	1;3	10.00	4.00	600
MS24211P5	A	5	1;3;5	14.00	8.00	500
MS24211P7	A	7	1;3;5;7	18.00	12.00	400
MS24211P9	A	9	1;3;5;7;9	22.00	16.00	400
MS24211P5	C	5	1;5	14.00	8.00	500
MS24211P7	C	7	1;7	18.00	12.00	400

Behave in conformity with continual product development policy, SinSheng (STM) reserves the right of specification changing of contents described in this catalogue at any time and without prior notice. Please contact the sales department nearby for most updated information.
由於產品持續開發的政策, 信盛(STM)保留隨時變更且不需提前通知的權利, 請聯繫業務處查詢最新的產品資訊

Embossed carrier tape dimensional drawing MS24211 Series



4.0mm

Unit: mm

POS.	B	C	D	E	F
3	6.75	7.50	16.00	17.50	13.50
5	10.75	11.50	24.00	25.50	21.50
7	10.75	11.50	44.40	25.50	21.50

24211 Wire to Board Connectors

CONNECTOR - Side Entry

Part No.: M24211P3R~M24211P9R

產品編號

Material: Housing: Nylon 94V-0

材質 塑膠座

Contact Pin: P.B, Tin-plated

接觸針 磷青銅, 鍍錫

Reinforcement: P.B, Tin-plated

補強片 磷青銅, 鍍錫

Suitable Contact: 24211PS-2

配合端子

Suitable Housing: P24211P3~P24211P9

配合塑膠

Acceptable Wire: AWG#22~28

適用電線

Square Contact Pin: : 0.55±0.05mm

方型

PERFORMANCE

Electrical Rating: AC/DC 600V 1A

額定電壓電流

Insulation Resistance: 1000MΩ min.

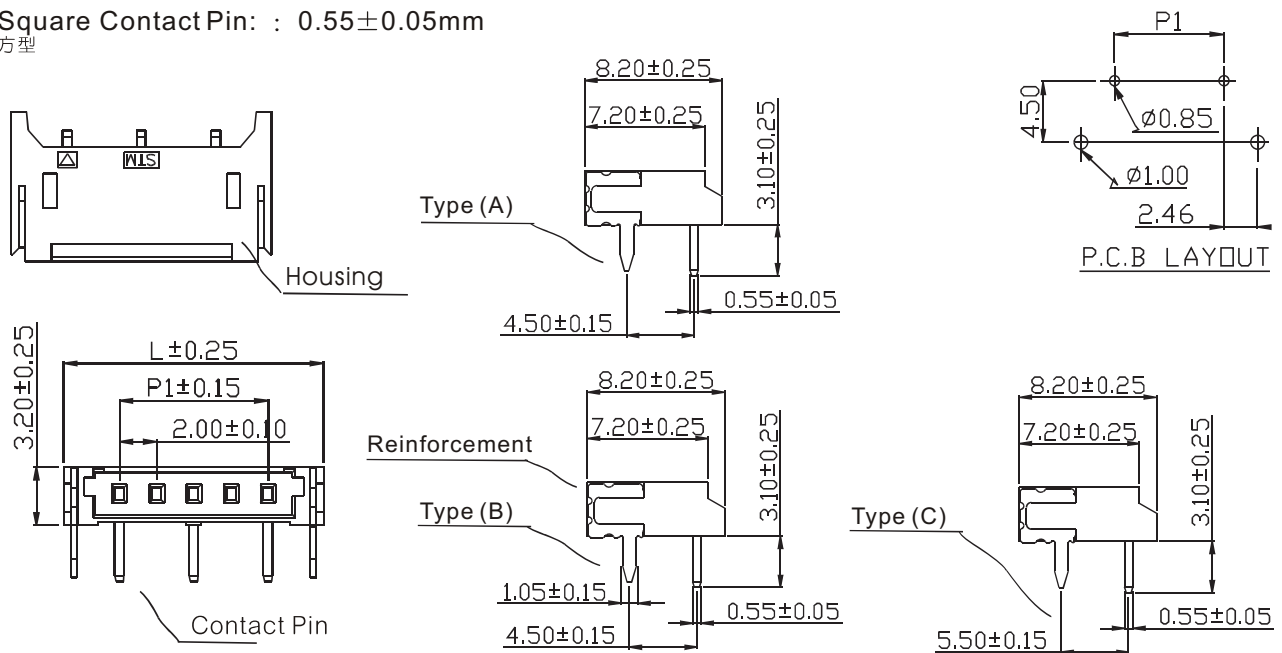
絕緣阻抗

Withstanding Voltage: 1800V AC/minute

耐電壓

Temperature Range: -25°C~+85°C

適用溫度



Type (A) :

Unit: mm

Part No.	RF.	POS	With Pins	L	P1	Pack
M24211P3R	.	3	1;3	10.00	4.00	600
M24211P5R	.	5	1;3;5	14.00	8.00	500
M24211P7R	.	7	1;3;5;7	18.00	12.00	400
M24211P9R	.	9	1;3;5;7;9	22.00	16.00	300
M24211P5R	A	5	1;5	14.00	8.00	600
M24211P7R	A	7	1;7	18.00	12.00	500
M24211P7R	D	7	1;3;7	18.00	12.00	400
M24211P3R	F	3	1;3	10.00	4.00	600
M24211P5R	F	5	1;3;5	14.00	8.00	500
M24211P7R	F	7	1;7	18.00	12.00	400

Type (B) :

Unit: mm

Part No.	RF.	POS	With Pins	L	P1	Pack
M24211P3R	A	3	1;3	10.00	4.00	600
M24211P9R	A	9	1;3;7;9	22.00	16.00	300
M24211P5R	B	5	1;3;5	14.00	8.00	500
M24211P7R	B	7	1;3;5;7	18.00	12.00	400
M24211P5R	C	5	1;5	14.00	8.00	500
M24211P7R	C	7	1;7	18.00	12.00	400
M24211P7R	E	7	1;3;7	18.00	12.00	400
M24211P3R	G	3	1;3	10.00	4.00	600
M24211P5R	G	5	1;3;5	14.00	8.00	500
M24211P7R	G	7	1;7	18.00	12.00	400

Type (C) :

Unit: mm

Part No.	RF.	POS	With Pins	L	P1	Pack
M24211P5R	D	5	1;5	14.00	8.00	500

4.0mm

24211 Wire to Board Connectors

HOUSING

Part No.: P24211P3~P24211P7

產品編號

Material: Nylon 94V-0

材質

Suitable Contact: 24211PS-2

配合端子

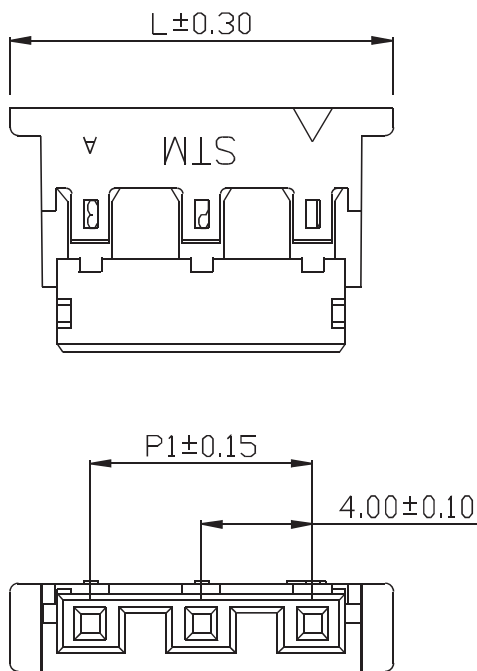
Suitable Connector: M24211P3R~M24211P7R

配合公座

MS24211P3~MS24211P7

Acceptable Wire: AWG#22~28

適用電線



PERFORMANCE

Electrical Rating: AC/DC 600V 1A

額定電壓電流

Insulation Resistance: 1000MΩ min.

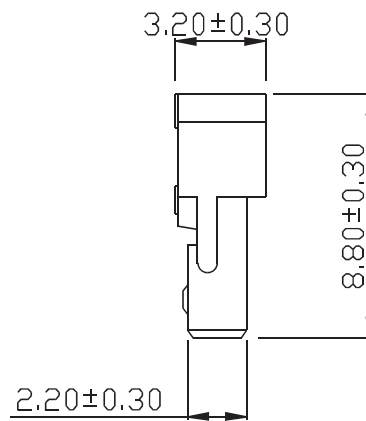
絕緣阻抗

Withstanding Voltage: 1800V AC/minute

耐電壓

Temperature Range: -25°C~+85°C

適用溫度



Unit: mm

PartNo.	POS.	L	P1	Pack.
P24211P3	3	9.80	4.00	1000
P24211P5	5	13.80	8.00	1000
P24211P7	7	17.80	12.00	500

TERMINAL

Part No.: 24211PS-2

產品編號

Thickness: 0.20mm

銅板厚度

Material: Phosphor Bronze

材質 磷青銅

Surface Treatment: Tin-plated

表面處理 鍍錫

Acceptable Wire: AWG#22-28

適用電線

Insulation O.D.: 1.60~2.40mm

線皮外徑

Suitable Housing: P24211P3~P24211P7

配合塑膠

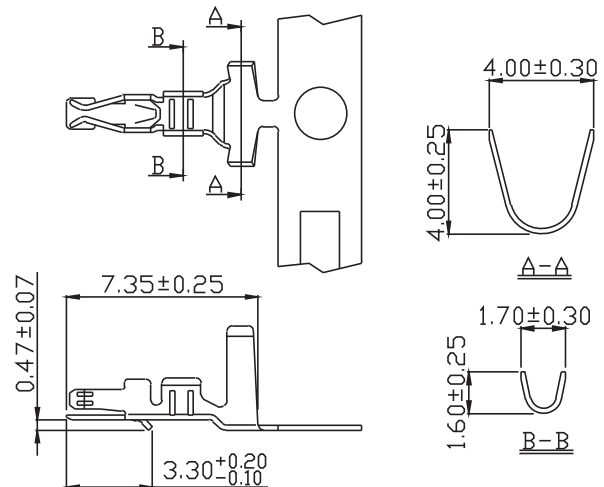
Suitable Connector: M24211P3R~M24211P7R

配合公座

MS24211P3~MS24211P7

Packing: 5,000PCS(Reel)

包裝數量



4.0mm