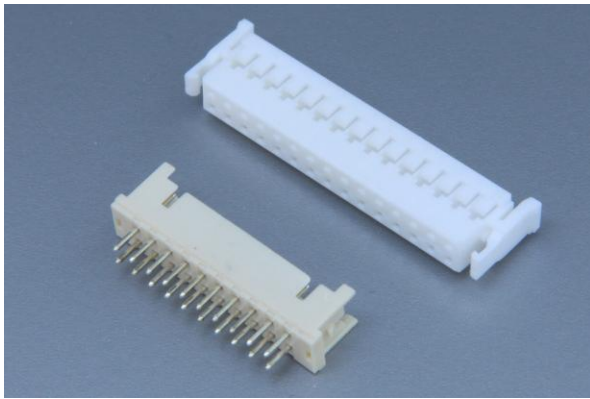


24215-LOCK



Pitch **2.0mm** Wire to Board (Lock) Connectors



PERFORMANCE

Electrical Rating: AC/DC 250V 2.5A

額定電壓電流

Insulation Resistance: 1000MΩ min.

絕緣阻抗

Withstanding Voltage: 800V AC/minute

耐電壓

Temperature Range: -25°C~+85°C

適用溫度



CONNECTOR - Lock Type

Part No.: MDK24215P3~MDK24215P20

產品編號

Material: Housing: Nylon 94V-0

材質 塑膠座

Contact Pin: Brass, Tin-plated

接觸針 黃銅, 鍍錫

Suitable Contact: 24215PS-2 24215PS-2 RF:B

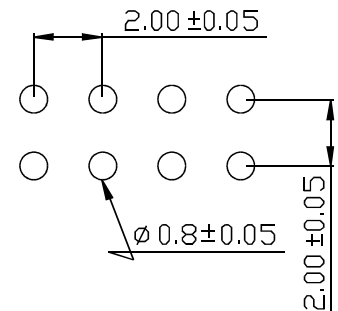
配合端子

Suitable Connector: PDK24215P3~PDK24215P20

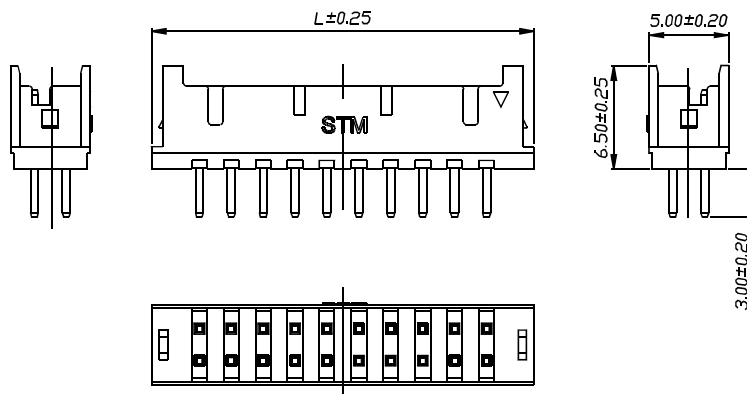
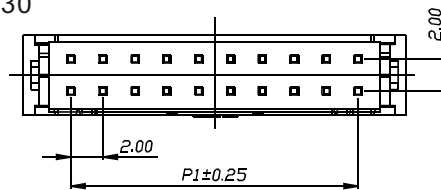
配合塑膠

Applicable Wire: AWG# 24~30

適用電線



P.C.B LAYOUT



2.0mm

Unit: mm

PartNo.	POS.	L	P1	Pack.	PartNo.	POS.	L	P1	Pack.
MDK24215P3	2X3	10.00	4.00	1000	MDK24215P1	22X12	28.00	22.00	500
MDK24215P4	2X4	12.00	6.00	1000	MDK24215P1	32X13	30.00	24.00	500
MDK24215P5	2X5	14.00	8.00	1000	MDK24215P1	42X14	32.00	26.00	500
MDK24215P6	2X6	16.00	10.00	1000	MDK24215P1	52X15	34.00	28.00	500
MDK24215P7	2X7	18.00	12.00	1000	MDK24215P1	62X16	36.00	30.00	500
MDK24215P8	2X8	20.00	14.00	1000	MDK24215P1	72X17	38.00	32.00	500
MDK24215P9	2X9	22.00	16.00	1000	MDK24215P1	82X18	40.00	34.00	500
MDK24215P10	2X10	24.00	18.00	1000	MDK24215P1	92X19	42.00	36.00	500
MDK24215P11	2X11	26.00	20.00	500	MDK24215P2	102X20	44.00	38.00	500

Behave in conformity with continual product development policy, SinSheng (STM) reserves the right of specification changing of contents described in this catalogue at any time and without prior notice. Please contact the sales department nearby for most updated information.
由於產品持續開發的政策, 信盛(STM)保留隨時變更本目錄所述之規格且不需提前通知的權利。請連繫業務處查詢最新的產品資訊。

24215-LOCK

Wire to Board (Lock) Connectors



CONNECTOR - Lock Type

Part No.: MDK24215P3~MDK24215P20 RF:A

產品編號

Material: Housing: Nylon 94V-0

材質 塑膠座

Contact Pin: Brass, Tin-plated

接觸針 黃銅, 鍍錫

Suitable Contact: 24215PS-2 24215PS-2 RF:B

配合端子

Suitable Connector: PDK24215P3~PDK24215P20

配合塑膠

Applicable Wire: AWG# 24~30

適用電線

PERFORMANCE

Electrical Rating: AC/DC 250V 2.5A

額定電壓電流

Insulation Resistance: 1000MΩ min.

絕緣阻抗

Withstanding Voltage: 800V AC/minute

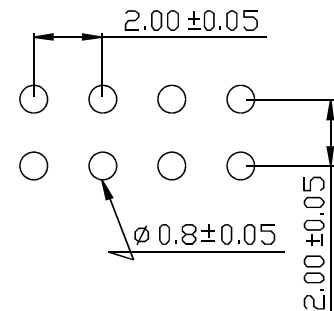
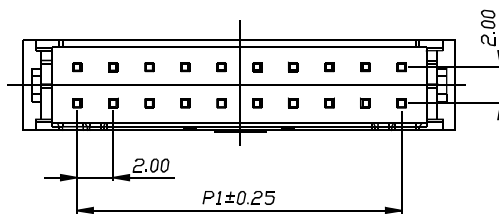
耐電壓

Temperature Range: -25°C~+85°C

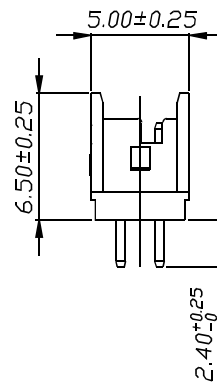
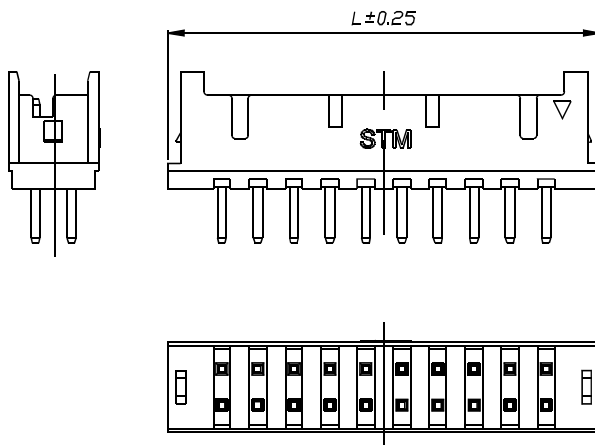
適用溫度



2.0mm



P.C.B LAYOUT



Note: Letters RF:A to be added follows the part number, i.e MDK24215P3 RF:A.

Unit: mm

PartNo.	POS.	L	P1	Pack.	PartNo.	POS.	L	P1	Pack.
MDK24215P3	2X3	10.00	4.00	1000	MDK24215P12	22X12	28.00	22.00	500
MDK24215P4	2X4	12.00	6.00	1000	MDK24215P13	32X13	30.00	24.00	500
MDK24215P5	2X5	14.00	8.00	1000	MDK24215P14	42X14	32.00	26.00	500
MDK24215P6	2X6	16.00	10.00	1000	MDK24215P15	52X15	34.00	28.00	500
MDK24215P7	2X7	18.00	12.00	1000	MDK24215P16	62X16	36.00	30.00	500
MDK24215P8	2X8	20.00	14.00	1000	MDK24215P17	72X17	38.00	32.00	500
MDK24215P9	2X9	22.00	16.00	1000	MDK24215P18	82X18	40.00	34.00	500
MDK24215P10	2X10	24.00	18.00	1000	MDK24215P19	92X19	42.00	36.00	500
MDK24215P11	2X11	26.00	20.00	500	MDK24215P20	102X20	44.00	38.00	500

24215-LOCK Wire to Board (Lock) Connectors



HOUSING - Lock Type

Part No.: **PDK24215P3~PDK24215P20**

產品編號

Material: Nylon 94V-0

材質

Suitable Contact: 24215PS-2 24215PS-2RF:B

配合端子

Suitable Connector:

配合公座

MDK24215P3~MDK24215P20

Applicable Wire: AWG# 24~30

適用電線

Packing: 1,000pcs(Bag)

包裝數量

PERFORMANCE

Electrical Rating: AC/DC 250V 2.5A

額定電壓電流

Insulation Resistance: 1000MΩ min.

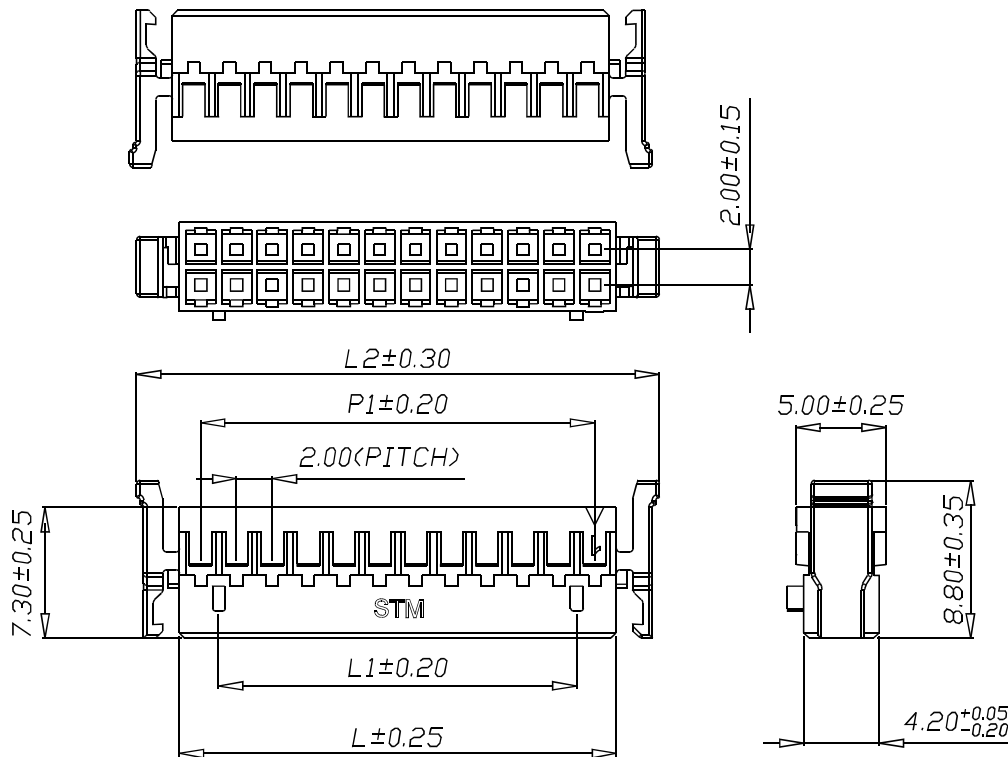
絕緣阻抗

Withstanding Voltage: 800V AC/minute

耐電壓

Temperature Range: -25°C~+85°C

適用溫度



2.0mm

Unit: mm

PartNo.	POS.	L	L1	L2	P1	PartNo.	POS.	L	L1	L2	P1
PDK24215P3	2X3	6.40	2.00	11.30	4.00	PDK24215P12	2X12	24.40	20.00	29.30	22.00
PDK24215P4	2X4	8.40	4.00	13.30	6.00	PDK24215P13	2X13	26.40	22.00	31.30	24.00
PDK24215P5	2X5	10.40	6.00	15.30	8.00	PDK24215P14	2X14	28.40	24.00	33.30	26.00
PDK24215P6	2X6	12.40	8.00	17.30	10.00	PDK24215P15	2X15	30.40	26.00	35.30	28.00
PDK24215P7	2X7	14.40	10.00	19.30	12.00	PDK24215P16	2X16	32.40	28.00	37.30	30.00
PDK24215P8	2X8	16.40	12.00	21.30	14.00	PDK24215P17	2X17	34.40	30.00	39.30	32.00
PDK24215P9	2X9	18.40	14.00	23.30	16.00	PDK24215P18	2X18	36.40	32.00	41.30	34.00
PDK24215P10	2X10	20.40	16.00	25.30	18.00	PDK24215P19	2X19	38.40	34.00	43.30	36.00
PDK24215P11	2X11	22.40	18.00	27.30	20.00	PDK24215P20	2X20	40.40	36.00	45.30	38.00

24215-LOCK Wire to Board (Lock) Connectors



TERMINAL

Part No.: 24215PS-2

產品編號

24215PS-2 RF:B

Thickness: 0.20mm

銅板厚度

Material: Phosphor Bronze

材質 磷青銅

Surface Treatment: Tin-plated

表面處理 鍍錫

Suitable Housing: PD24215P2~PD24215P20

配合塑膠

PDK24215P2~PDK24215P20

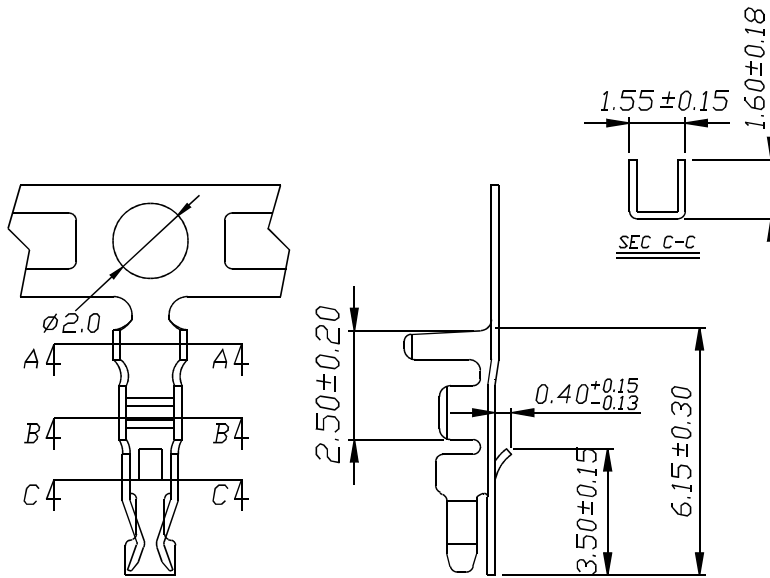
MD24215P2~MD24215P20

MD24215P2R~MD24215P20R

MDK24215P3~MDK24215P20

Packing: 10,000PCS(Reel)

包裝數量



PERFORMANCE

Electrical Rating: AC/DC 250V 2.5A

額定電壓電流

Insulation Resistance: 1000M Ω min.

絕緣阻抗

Withstanding Voltage: 800V AC/minute

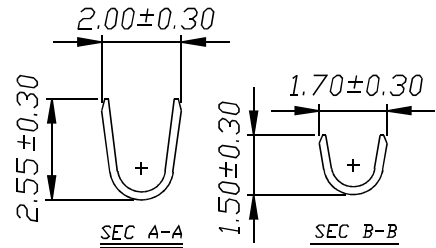
耐電壓

Temperature Range: -25 $^{\circ}$ C~+85 $^{\circ}$ C

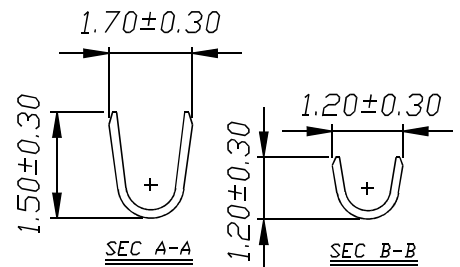
適用溫度



For wire range 24~28 AWG:
P/No. 24215PS-2



For wire range 28~30 AWG:
P/No. 24215PS-2 RF:B



Notes

Item	Description
Suitable Connector 配合公座	MD24215P2~MD24215P20 MD24215P2R~MD24215P20R MDK24215P3~MDK24215P20
Suitable Housing 配合塑膠	PD24215P2~PD24215P20 PDK24215P3~PDK24215P20
Suitable Wire 適用電線	24215PS-2 AWG#24~28 (1.2~1.6mm) 24215PS-2 RF:B AWG#28~30 (0.8~0.7mm)

2.0mm