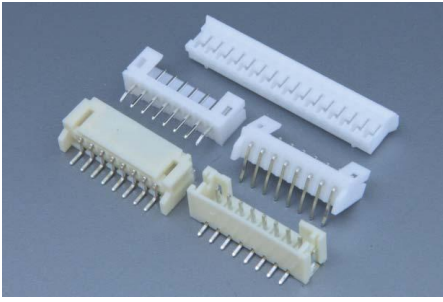


2426



Pitch 2.0mm Wire to Board Connectors - SMT Type



PERFORMANCE

Electrical Rating: AC/DC 100V 2A
 額定電壓電流
 Insulation Resistance: 1000MΩ min.
 絕緣阻抗
 Withstanding Voltage: 800V AC/minute
 耐電壓
 Temperature Range: -25°C~+85°C
 適用溫度



CONNECTOR - Top Entry

Part No.: MS24262~MS242616 RF:A

產品編號

Material: Housing: Nylon 94V-0

材質 塑膠座

Contact Pin : Brass, Tin-plated

接觸針 黃銅, 鍍錫

Suitable Contact: 2426PS-2 2426PS-2RF:C 2426PS-2RF:E

配合端子

Suitable Housing: P24262~P242616

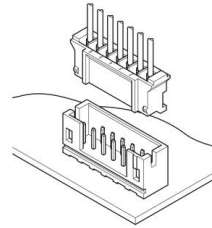
配合塑膠

Applicable Wire: AWG# 24~30

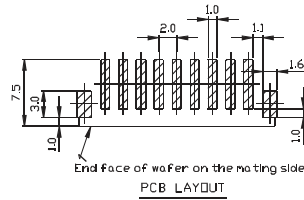
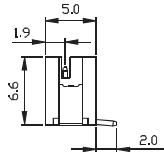
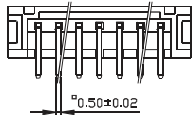
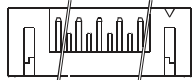
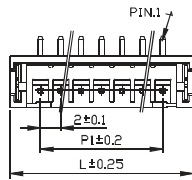
適用電線

Square Contact Pin : 0.50±0.02mm

方型接觸針



20mm



TOLERANCE	
.0	±0.35
.00	±0.25

Note: Letters RF:A to be added follows the part number, i.e MS24262 RF:A.

Unit: mm

PartNo.	RF	POS.	L	P1	Pack.	PartNo.	RF	POS.	L	P1	Pack.
MS24262	A	2	8.00	2.00	1000	MS242610	A	10	24.00	18.00	1000
MS24263	A	3	10.00	4.00	1000	MS242611	A	11	26.00	20.00	1000
MS24264	A	4	12.00	6.00	1000	MS242612	A	12	28.00	22.00	1000
MS24265	A	5	14.00	8.00	1000	MS242613	A	13	30.00	24.00	1000
MS24266	A	6	16.00	10.00	1000	MS242614	A	14	32.00	26.00	1000
MS24267	A	7	18.00	12.00	1000	MS242615	A	15	34.00	28.00	1000
MS24268	A	8	20.00	14.00	1000	MS242616	A	16	36.00	30.00	1000
MS24269	A	9	22.00	16.00	1000						

Behave in conformity with continual product development policy. STM (STMicroelectronics) reserves the right of specification changing of contents described in this catalogue at any time and without prior notice. Please contact the sales department nearby for most updated information.
 本產品之規格與內容如有變更, 恕不另行通知, 本公司保留隨時更改規格之權利, 請與當地銷售部洽詢最新之規格與內容。

CONNECTOR - Side Entry

Part No.: MS242610R~MS242614R

產品編號

Material: Housing: Nylon 94V-0

材質

塑膠座

Contact Pin : Brass, Tin-plated

接觸針

黃銅

鍍錫

Suitable Contact: 2426PS-2 2426PS-2RF:C

配合端子

2426PS-2RF:E

Suitable Housing: P242610~P242614

配合塑膠

Applicable Wire: AWG# 24~30

適用電線

Square Contact Pin : 0.50±0.02mm

方型接觸針

PERFORMANCE

Electrical Rating: AC/DC 250V 2A

額定電壓電流

Insulation Resistance: 1000MΩ min.

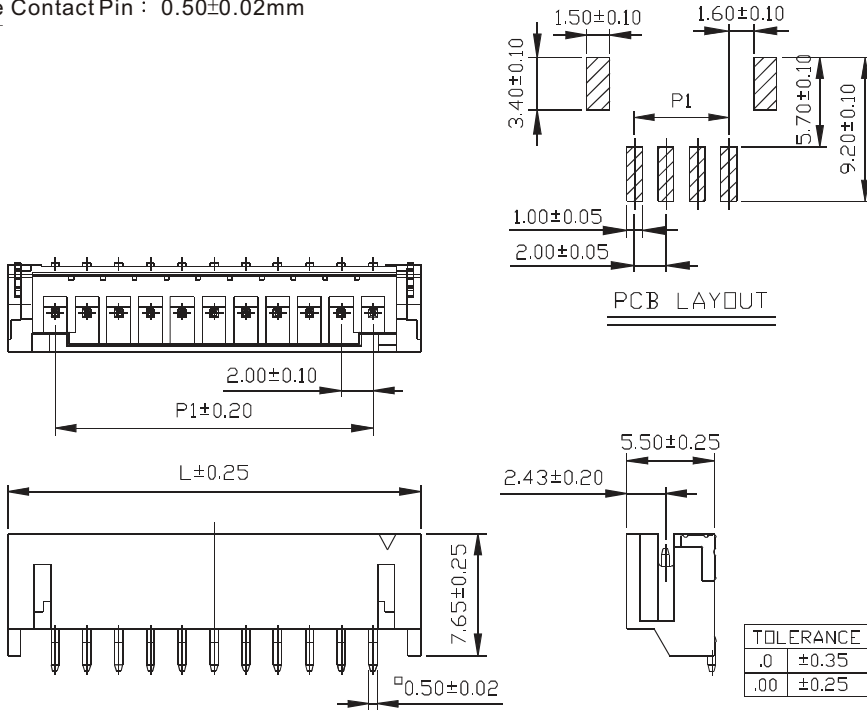
絕緣阻抗

Withstanding Voltage: 800V AC/minute

耐電壓

Temperature Range: -25°C~+85°C

適用溫度



TOLERANCE	
.0	±0.35
.00	±0.25

Unit: mm

PartNo.	POS.	L	P1	Pack.
MS242610R	10	24.00	18.00	1000
MS242612R	12	28.00	22.00	1000
MS242613R	13	30.00	24.00	1000
MS242614R	14	32.00	26.00	1000

20mm

CONNECTOR - Side Entry

Part No.: MS24262R~MS242616R RF:A

產品編號

Material: Housing: Nylon 94V-0

材質

塑膠座

Contact Pin : Brass, Tin-plated

接觸針

黃銅

鍍錫

Suitable Contact: 2426PS-2 2426PS-2RF:C

配合端子

2426PS-2RF:E

Suitable Housing: P24262~P242616

配合塑膠

Applicable Wire: AWG# 24~30

適用電線

Square Contact Pin : 0.50±0.02mm

方型接觸針

PERFORMANCE

Electrical Rating: AC/DC 250V 2A

額定電壓電流

Insulation Resistance: 1000MΩ min.

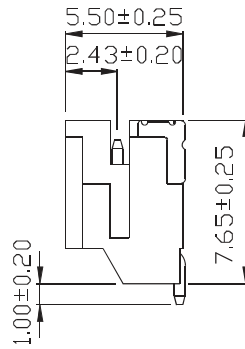
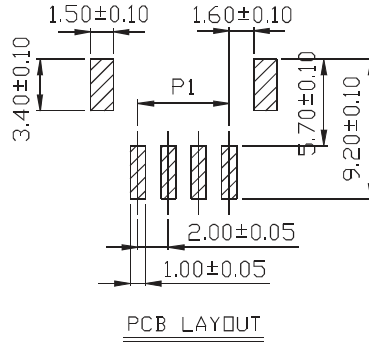
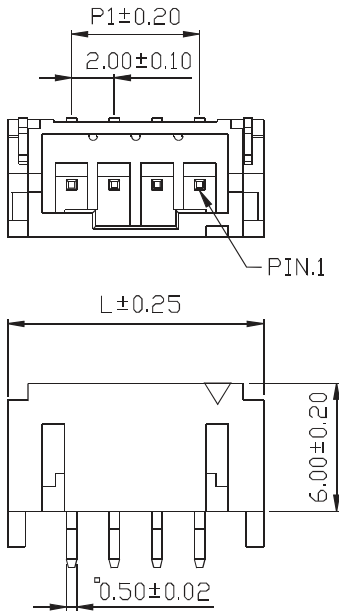
絕緣阻抗

Withstanding Voltage: 800V AC/minute

耐電壓

Temperature Range: -25°C~+85°C

適用溫度



TOLERANCE	
.0	±0.35
.00	±0.25

20mm

Note: Letters RF:A to be added follows the part number, i.e MS24262R RF:A.

Unit: mm

PartNo.	RF	POS.	L	P1	Pack.	PartNo.	RF	POS.	L	P1	Pack.
MS24262R	A	2	8.00	2.00	1000	MS242610R	A	10	24.00	18.00	1000
MS24263R	A	3	10.00	4.00	1000	MS242611R	A	11	26.00	20.00	1000
MS24264R	A	4	12.00	6.00	1000	MS242612R	A	12	28.00	22.00	1000
MS24265R	A	5	14.00	8.00	1000	MS242613R	A	13	30.00	24.00	1000
MS24266R	A	6	16.00	10.00	1000	MS242614R	A	14	32.00	26.00	1000
MS24267R	A	7	18.00	12.00	1000	MS242615R	A	15	34.00	28.00	1000
MS24268R	A	8	20.00	14.00	1000	MS242616R	A	16	36.00	30.00	1000
MS24269R	A	9	22.00	16.00	1000						

CONNECTOR - Side Entry

Part No.: MS24262R~MS242616R RF:C

產品編號

Material: Housing: Nylon 94V-0

材質 塑膠座

Contact Pin : Brass, Tin-plated

接觸針 黃銅 鍍錫

Suitable Contact: 2426PS-2 2426PS-2RF:C

配合端子

2426PS-2RF:E

Suitable Housing: P24262~P242616

配合塑膠

Applicable Wire: AWG# 24~30

適用電線

Square Contact Pin : 0.50±0.02mm

方型接觸針

PERFORMANCE

Electrical Rating: AC/DC 250V 2A

額定電壓電流

Insulation Resistance: 1000MΩ min.

絕緣阻抗

Withstanding Voltage: 800V AC/minute

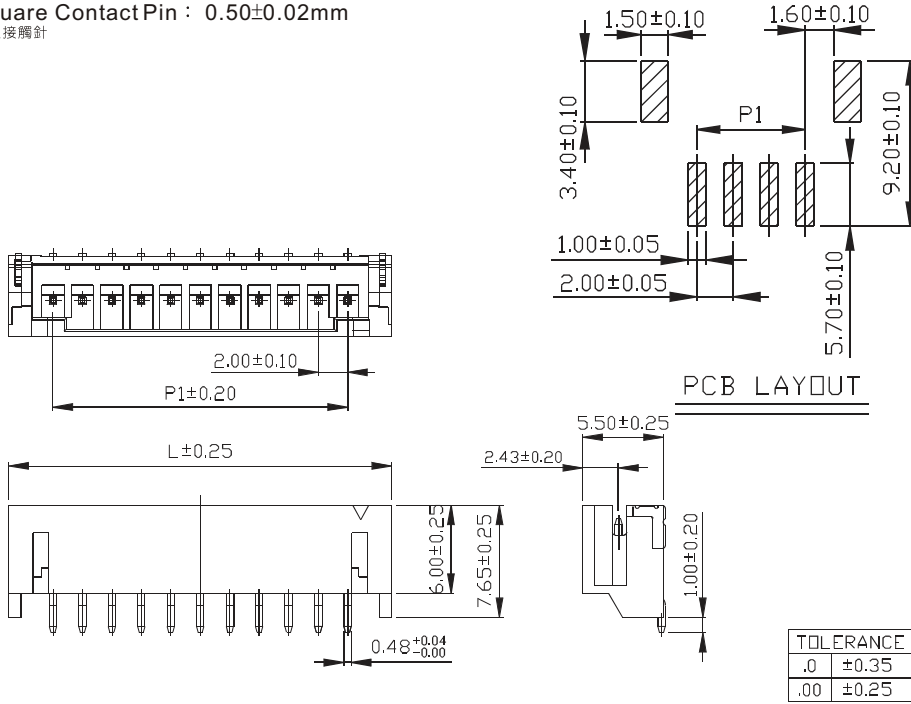
耐電壓

Temperature Range: -25°C~+85°C

適用溫度



20mm



Note: Letters RF:C to be added follows the part number, i.e MS24262R RF:C.

Unit: mm

PartNo.	RF	POS.	L	P1	Pack.	PartNo.	RF	POS.	L	P1	Pack.
MS24262R	C	2	8.00	2.00	1000	MS242610R	C	10	24.00	18.00	1000
MS24263R	C	3	10.00	4.00	1000	MS242611R	C	11	26.00	20.00	1000
MS24264R	C	4	12.00	6.00	1000	MS242612R	C	12	28.00	22.00	1000
MS24265R	C	5	14.00	8.00	1000	MS242613R	C	13	30.00	24.00	1000
MS24266R	C	6	16.00	10.00	1000	MS242614R	C	14	32.00	26.00	1000
MS24267R	C	7	18.00	12.00	1000	MS242615R	C	15	34.00	28.00	1000
MS24268R	C	8	20.00	14.00	1000	MS242616R	C	16	36.00	30.00	1000
MS24269R	C	9	22.00	16.00	1000						

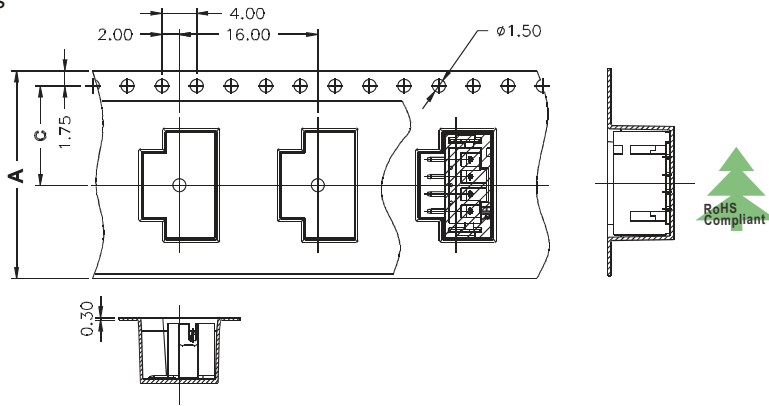
2426 Wire to Board Connectors - SMT Type



Embossed Carrier Tape Dimensional Drawing

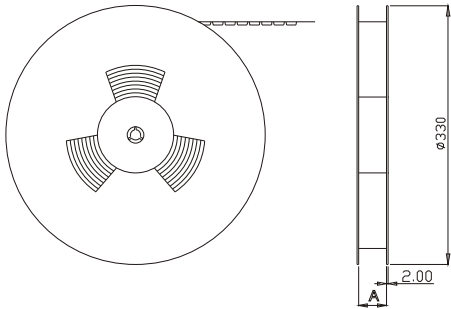
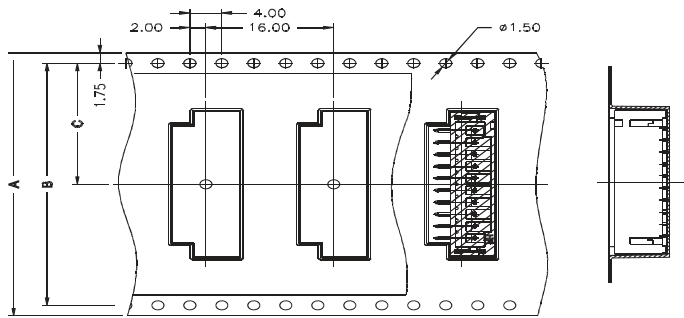
MS2426 Series

2~5 Pins



20mm

6~16 Pins



Unit: mm

PIN	A	B	C	PIN	A	B	C
2P	16	7.50	7.50	10P	44	40.40	20.20
3P	24		11.50	11P	44	40.40	20.20
4P	24		11.50	12P	44	40.40	20.20
5P	24		11.50	13P	44	40.40	20.20
6P	32		28.40	14.20	14P	56	52.40
7P	32	28.40	14.20	15P	56	52.40	26.20
8P	32	28.40	14.20	16P	56	52.40	26.20
9P	44	40.40	20.20				

CONNECTOR - Top Entry

Part No.: **M24262~M242616**

產品編號

Material: Housing: Nylon 94V-0

材質

Contact Pin : Brass, Tin-plated
接觸針 黃銅 鍍錫

Suitable Contact:

配合端子

M24262~M242613: 2426PS-2 2426PS-2RF:E

M242614~M242616: 2426PS-2RF:C

Suitable Housing: P24262~P242616

配合塑膠

Applicable Wire: AWG# 24~30

適用電線

Square Contact Pin : 0.50±0.02mm

方型接觸針

PERFORMANCE

Electrical Rating: AC/DC 250V 2A

額定電壓電流

Insulation Resistance: 1000MΩ min.

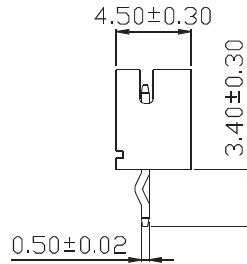
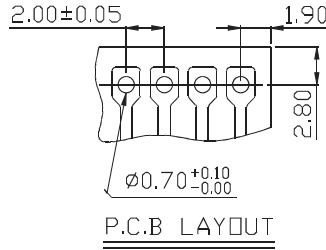
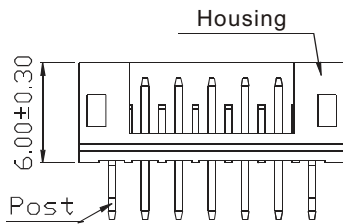
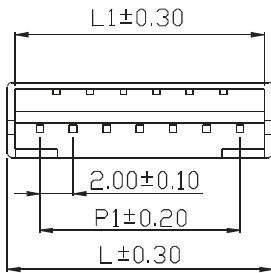
絕緣阻抗

Withstanding Voltage: 800V AC/minute

耐電壓

Temperature Range: -25°C~+85°C

適用溫度



PartNo.	POS.	L	L1	P1	Pack.
M24262	2	6.00	4.90	2.00	1000
M24263	3	8.00	6.90	4.00	1000
M24264	4	10.00	8.90	6.00	1000
M24265	5	12.00	10.90	8.00	1000
M24266	6	14.00	12.90	10.00	1000
M24267	7	16.00	14.90	12.00	500
M24268	8	18.00	16.90	14.00	500
M24269	9	20.00	18.90	16.00	500

Unit: mm

PartNo.	POS.	L	L1	P1	Pack.
M242610	10	22.00	20.90	18.00	500
M242611	11	24.00	22.90	20.00	500
M242612	12	26.00	24.90	22.00	500
M242613	13	28.00	26.90	24.00	500
M242614	14	30.00	28.90	26.00	500
M242615	15	32.00	30.90	28.00	500
M242616	16	34.00	32.90	30.00	500

20mm

CONNECTOR - Side Entry

Part No.: M24262R~M242616R

產品編號

Material: Housing: Nylon 94V-0

材質

Contact Pin : Brass, Tin-plated
接觸針 黃銅 鍍錫

Suitable Contact:

配合端子

M24262~M242613: 2426PS-2 2426PS-2RF:E

M242614~M242616: 2426PS-2RF:C

Suitable Housing: P24262~P242616

配合塑膠

Applicable Wire: AWG# 24~30

適用電線

Square Contact Pin : 0.50±0.02mm

方型接觸針

PERFORMANCE

Electrical Rating: AC/DC 250V 2A

額定電壓電流

Insulation Resistance: 1000MΩ min.

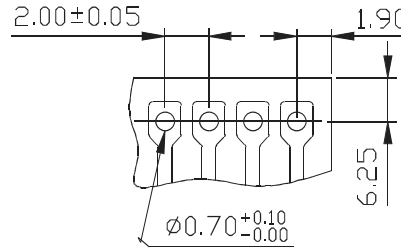
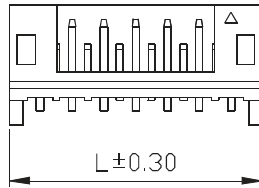
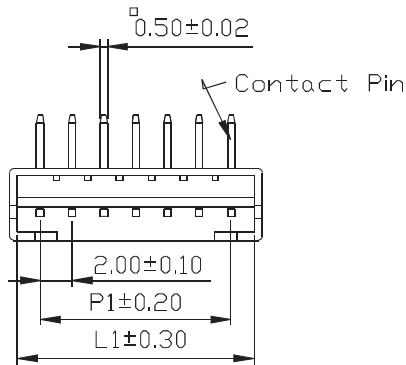
絕緣阻抗

Withstanding Voltage: 800V AC/minute

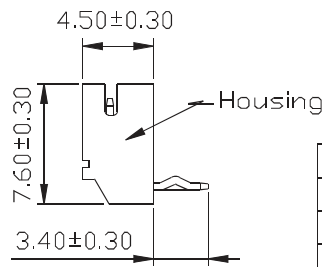
耐電壓

Temperature Range: -25°C~+85°C

適用溫度



P.C.B LAYOUT



TOLERANCE	
.0	±0.25
.00	±0.15
.000	±0.05

Unit: mm

PartNo.	POS.	L	L1	P1	Pack.	PartNo.	POS.	L	L1	P1	Pack.
M24262R	2	6.00	4.90	2.00	1000	M242610R	10	22.00	20.90	18.00	500
M24263R	3	8.00	6.90	4.00	1000	M242611R	11	24.00	22.90	20.00	500
M24264R	4	10.00	8.90	6.00	1000	M242612R	12	26.00	24.90	22.00	500
M24265R	5	12.00	10.90	8.00	1000	M242613R	13	28.00	26.90	24.00	500
M24266R	6	14.00	12.90	10.00	1000	M242614R	14	30.00	28.90	26.00	500
M24267R	7	16.00	14.90	12.00	500	M242615R	15	32.00	30.90	28.00	500
M24268R	8	18.00	16.90	14.00	500	M242616R	16	34.00	32.90	30.00	500
M24269R	9	20.00	18.90	16.00	500						

20mm

HOUSING

Part No.: P24262~P242616

產品編號

Material: Housing: Nylon 94V-0

材質 塑膠座

Suitable Contact: 2426PS-2

配合端子

2426PS-2RF:E

2426PS-2RF:C

Suitable Housing: M24262~M242616

配合塑膠

M24262R~M242616R

MS24262~MS242615

MS24262R~MS242615R

Applicable Wire: AWG# 24~30

適用電線

PERFORMANCE

Electrical Rating: AC/DC 250V 2A

額定電壓電流

Insulation Resistance: 1000MΩ min.

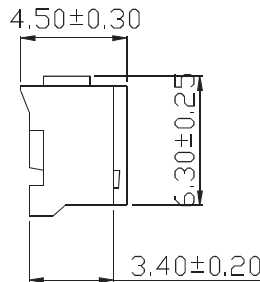
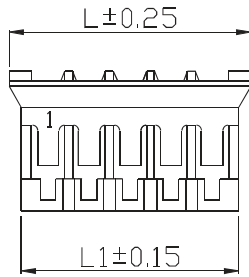
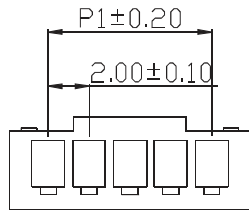
絕緣阻抗

Withstanding Voltage: 800V AC/minute

耐電壓

Temperature Range: -25°C~+85°C

適用溫度



Unit: mm

PartNo.	POS.	L	L1	P1	Pack.	PartNo.	POS.	L	L1	P1	Pack.
P24262	2	5.80	4.60	2.00	1000	P242610	10	21.80	20.60	18.00	500
P24263	3	7.80	6.60	4.00	1000	P242611	11	23.80	22.60	20.00	500
P24264	4	9.80	8.60	6.00	1000	P242612	12	25.80	24.60	22.00	500
P24265	5	11.80	10.60	8.00	1000	P242613	13	27.80	26.60	24.00	500
P24266	6	13.80	12.60	10.00	1000	P242614	14	29.80	28.60	26.00	500
P24267	7	15.80	14.60	12.00	500	P242615	15	31.80	30.60	28.00	500
P24268	8	17.80	16.60	14.00	500	P242616	16	33.80	32.60	30.00	500
P24269	9	19.80	18.60	16.00	500						

20mm

TERMINAL

Part No.: **2426PS-2 2426PS-2RF:C**

產品編號

Thickness: 0.20mm

銅板厚度

Material: Phosphor Bronze

材質 磷青銅

Surface Treatment: Tin-plated

表面處理 鍍錫

Applicable Wire: AWG# 24~30

適用電線

Insulation O.D.: 0.71~1.50mm

線皮外徑

Suitable Housing: P24262~P242616

配合塑膠

Suitable Connector: 2426PS-2: M24262~M242613 M24262R~M242613R

配合公座

MS24262~MS242613 MS24262R~MS242613R

2426PS-2RF:C: M242614~M242616 M242614R~M242616R

MS242614~MS242615 MS242614R~MS242615R

Packing: 10,000PCS(Reel)

包裝數量

PERFORMANCE

Electrical Rating: AC/DC 250V 2A

額定電壓電流

Insulation Resistance: 1000MΩ min.

絕緣阻抗

Withstanding Voltage: 800V AC/minute

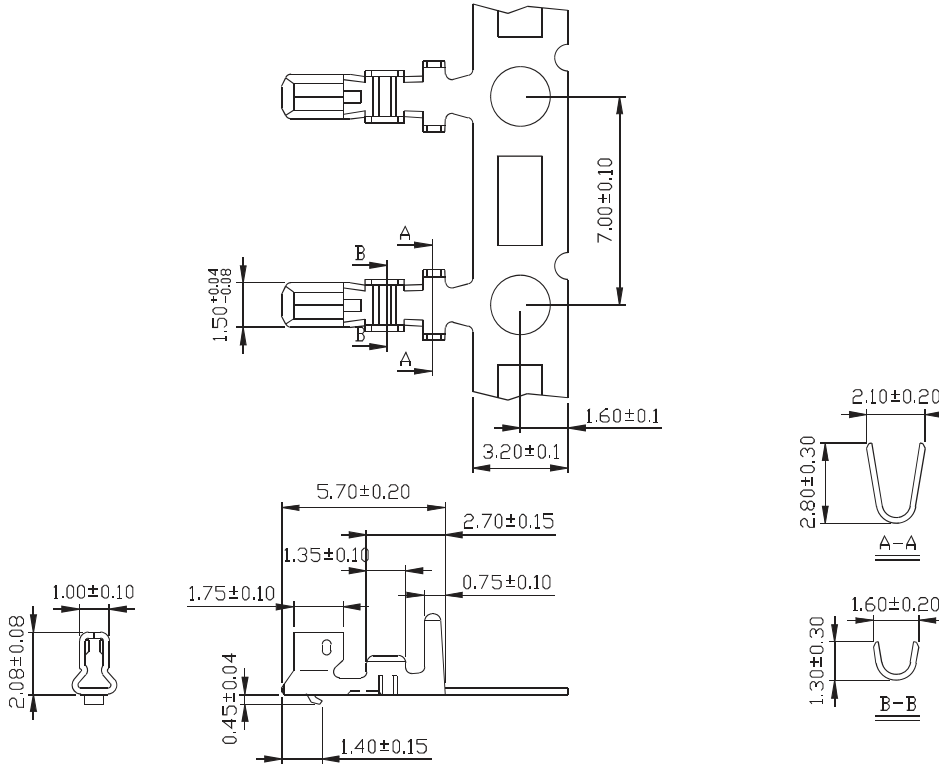
耐電壓

Temperature Range: -25°C~+85°C

適用溫度



20mm



TERMINAL

Part No.: **2426PS-2 RF:E**

產品編號

Thickness: 0.20mm

銅板厚度

Material: Phosphor Bronze

材質 磷青銅

Surface Treatment: Tin-plated

表面處理 鍍錫

Applicable Wire: AWG# 24~30

適用電線

Insulation O.D.: 0.71~1.50mm

線皮外徑

Suitable Housing: P24262~P242616

配合塑膠

Suitable Connector: M24262~M242616 M24262R~M242616R

配合公座

MS24262~MS242615 MS24262R~MS242615R

Packing: 10,000PCS(Reel)

包裝數量

PERFORMANCE

Electrical Rating: AC/DC 250V 2A

額定電壓電流

Insulation Resistance: 1000MΩ min.

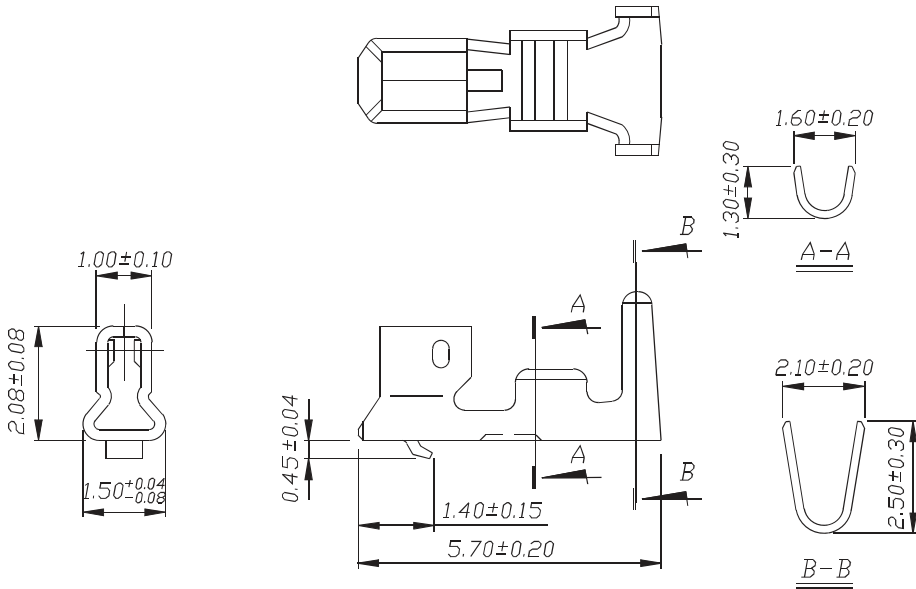
絕緣阻抗

Withstanding Voltage: 800V AC/minute

耐電壓

Temperature Range: -25°C~+85°C

適用溫度



20mm